

Why try to fit a **SQUARE PEG** into a **ROUND HOLE?**



HOMELAND AND WAYMARK ARE THE "PERFECT MATCH".

Homeland and Waymark work together to manufacture railing systems.

Waymark's Summit brackets are designed for a "perfect fit" to Homeland's railing profiles. Other companies manufacture their accessories with an oversize corner radius limiting the range of compatibility to other profiles. By combining Homeland profiles with Waymark accessories your caps and brackets will look beautiful and will not stick out as a "piece-together" project.

Systems are tested for ICC Building Code compliance

Homeland and Waymark have invested into the safety of products by extensively testing Deck and Rail systems for International Building Code compliance. This is backed by our Quality Assurance program and third party audits. We believe that your railing project should not be compromised with profiles and accessories that have not been tested as a system.

Homeland and Waymark are color matched

Are you tired of buying accessories from a company that the colors don't match perfectly with your profiles? Waymark products, through quality control systems, are virtually color matched to Homeland's profiles. Your caps, lighting, brackets, lattice, column, post, and spindles will be a perfect color match to all Homeland profiles.

That's why we say, Homeland and Waymark sell systems...not accessories!



www.HomelandVinyl.com



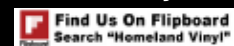
Loyalty Program - Homeland & Waymark

Ask your sales representative about customer loyalty programs to save you money on a wide selection of profiles and matching accessories.



800-999-6813
info@homelandvinyl.com

HomelandVinyl.com



877.652.6118
sales@waymarkproducts.com
Waymark Products, LLC

WaymarkProducts.com



Table of Contents

3.....	Homeland Company Statement		
5.....	VMA, ACCU-Shield, Homewood & Declaration of Principles		
6.....	Made To Order (MTO) Program		
7.....	Fabrication Guidelines		
8.....	Waymark Company Statement		
10.....	Fence Profiles & Accessories		
	Pocket Rail	11	
	Privacy Pickets	15	
	Rails	18	
	U-Channel / Trim	21	
	Gate Brace / Lattice Channel	22	
	Lattice	23	
	Tuf-Fence	24	
	Gorilla Fence	27	
	End Caps	30	
	Hole Plugs / Gate Pockets	31	
	Rail Mounts	33	
34.....	Gorilla Hardware		
37.....	Gorilla Guard Rail Systems		
	2"x3-1/2" & Deck-over Rail	38	
	Summit T-Rail	42	
	Contour Rail	46	
	1-3/4" x 2-1/4" Nexus Rail	49	
	Nexus 1 Rail	51	
	Nexus 2 Rail	54	
58.....	Gorilla Grab Rail		
62.....	Pickets		
	Picket Caps	68	
	Trim Rings	69	
72.....	Gorilla Matrix		
72.....	Gorilla Wrap		
81.....	Gorilla Posts & Accessories		
85.....	Gorilla Caps & Tops		
91.....	Gorilla Lighting		
	Solar Lighting	92	
	Low Voltage Lighting	97	
105.....	Gorilla Columns		
107.....	Gorilla Deck®		
	Fascia Trim	110	
113.....	Gorilla Mounts		
119.....	Insert / Stiffeners		
123.....	Miscellaneous		
126.....	RediPak Program		
136.....	Ranch Rails		
140.....	Index		
144.....	Notes		
145.....	Updates		

HOMELAND VINYL

COMPANY STATEMENT

Homeland Vinyl Products, Inc. is dedicated to delivering high quality products and excellent service to our customers without exception. We understand the importance of our customers' success in the Fence, Deck, Railing and Outdoor Living Products markets. We value our relationships with our customers and pledge that we will operate at the highest level of integrity.

CUSTOMER ACCOUNTS

All customers are required to complete an Application for Trade Account and update it periodically. This application requires the signature of a Corporate Officer, Managing Member, Partner or Owner. Homeland Vinyl Products, Inc. only sells wholesale. Customers are required to provide a copy of their company's sales tax exemption certificate or resale certificate before any sale can be initiated. Customers are further required to provide Homeland Vinyl Products, Inc. updated sales tax exemption or resale certificates upon expiration of the initial certificate provided. Standard terms are payment in full by electronic check, wire transfer, or credit card at time of shipment. Payments can be made at HomelandVinyl.com. Customers requesting credit terms must submit financial information. Credit terms are net 30 days subject to the approval of Homeland® based on financial data provided, credit checks, and payment history. Credit terms are subject to change. Customer accounts outside of agreed terms are subject to being placed On Hold with shipments held until the account is satisfied. Accounts not paid within terms will be charged interest at the rate of 1.5% per month. Prices are subject to change without notice.

PLACING ORDERS

All orders are subject to acceptance and approval. All orders must be submitted in writing by fax or email to Homeland Vinyl Products, Inc. All product orders must be clearly identified by part number, color, detailed description, and quantity. Illegible orders will not be accepted. All orders will be confirmed in writing with the Terms and Conditions of Sale before acceptance. Confirmed orders cannot be canceled without authorization. Please contact a Homeland® Customer Service Representative for additional order information and requirements.

SHIPMENT OF ORDERS / DAMAGE OR SHORTAGES

Homeland® ships products from the factory and from distribution centers. Homeland reserves the right to ship its customers the products they ordered from any location. All prices are F.O.B. point of shipment. The customer is responsible for reviewing all order confirmations for the correct customer shipping address. Homeland strives to find the cheapest reliable shipping method for all orders. Homeland is not responsible for delays in delivery when caused by strikes, fires, accidents, Acts of God, or other forces outside of Homeland's control. Please contact a Homeland Customer Service Representative for your specific needs and additional shipping information.

All shipments received should be immediately inspected by the customer. All dents, tears, breakages, or other visible damage to both packaging materials and products should be noted on the shipping documents with a copy given to the freight carrier and a copy sent to Homeland. Damages or lost product due to shipping must be reported and claimed from the freight carrier. All claims of material shortages or damaged goods must be made within 48 hours of customer's receipt of products.

RETURNED GOODS POLICY

All returns of products must have the prior written approval of an authorized representative of Homeland®, must be for justifiable reasons, and must be within 60 days of receipt of product. Customers requesting to return products must submit in writing in advance of return a detailed list of the materials to be returned, date of purchase, invoice number, and reason for return. Custom and special order items will not be accepted for return. Do not return any items without a return authorization. All returned material must be shipped to the plant location from which the shipment originated. The material must be freight prepaid and include a list of the products returned and a copy of the Homeland return authorization. Returned products must be received by Homeland in same packaging and condition as originally sent and are subject to our Warehouse Manager’s count and inspection. **Any credits issued for approved returns will be based on the invoice price of the returned products at time of purchase by customer less a restocking charge of 20%.**

LIMITED WARRANTY

Homeland® warrants that the products we manufacture are free of defects in materials and workmanship. Products distributed by Homeland, but not manufactured by Homeland, are covered under the original manufacturer’s warranty. Please contact a Homeland Customer Service Representative for specific information on the warranty of the Homeland products you wish to purchase. Additional warranty information is detailed in the Terms and Conditions on the back of each invoice.

TERMS AND CONDITIONS OF SALE ARE SPECIFIED WITH ORDER CONFIRMATION AND DETAILED ON THE FRONT AND BACK OF EVERY INVOICE.



Quick Tip: Understanding our Homeland part numbers

ITEM KEY EXPLANATION

COLOR CODES

W - White Y - Honey Maple D - Adobe Q - Earl Gray
T - Tan O - Mocha Walnut U - Green Teak

(See next page for Gray and Beige ordering guidelines)

INVENTORY CODES

F54U	W	064	346
<i>Profile</i>	<i>Color</i>	<i>Length</i>	<i>Pieces</i>
<i>Code</i>	<i>Code</i>	<i>in Inches</i>	<i>per Bundle</i>

Refer to profile sheet to obtain the profile code for the product you are ordering. Always review your order confirmation with descriptions to ensure order accuracy.

When ordering a length that is fractional, use the following list to determine the proper code for the length you require.

<i>1/4" - A</i>	<i>1/2" - B</i>	<i>3/4" - C</i>	<i>1/8" - D</i>
<i>3/8" - E</i>	<i>5/8" - F</i>	<i>7/8" - G</i>	<i>11/16" - H</i>

Example: 64-1/2" would be 64B



VMA Certified!

**Uncompromising quality. Innovative engineering.
Enduring craftsmanship. VMA certified!**

These qualities are what make Homeland® profiles exceptional. With any Homeland profile you choose, you can be confident your choice will create a distinctive design signature, and will provide you with many years of low-maintenance, worry-free enjoyment. With decades of

experience in vinyl and a rigorous quality control program with third-party auditing through the VMA, you can be assured that Homeland Vinyl Products is committed to providing the very best vinyl products the industry has to offer. With vinyl products from Homeland, you get the quality you expect, and options you could only imagine.



Not all Vinyl Is Created Equal!

Homeland® manufactures the toughest PVC profiles with the most advanced UV protection under the sun, our ACCU-Shield® formulation. ACCU-Shield is our protective outer layer

engineered to significantly reduce oxidation and the damaging effects of the sun's ultraviolet rays. Even in harsh climates, ACCU-Shield protects the color and sheen of our products for a longer period of time. Simply put, there is no better protection under the sun than ACCU-Shield.



Homeland's® Natural Selection of Colors

Inspired By Nature, Engineered By Homeland!

Homewood® is Homeland® Vinyl's exclusive blend of colors that can redefine a simple backyard into a beautiful oasis. Our vast pallet of pleasing colors with random variegated patterns are inspired by nature and engineered by Homeland. This unique blend more closely emulates the natural look of wood and will complement any building exterior. Eliminate the exhausting upkeep and usual limitations of wood

with a freshly painted appearance that lasts for years.

Available in Homeland's Fence, Deck, and Rail profiles. Mix and match from our Homewood collection to bring a unique style and taste to any backyard paradise.

Our Homewood blends are richer in color and more natural in look than other vinyl offerings.



Declaration of Principles Fence, Deck, and Rail Business

Homeland Vinyl Products, Inc. is committed to the highest standards of quality in its Fence, Deck, and Rail business - both in the products it manufactures and the manner in which its business is conducted. Since Homeland's success is directly linked to the success of its customers, Homeland pledges to develop, fabricate and market innovative and successful vinyl fence, deck, and rail products.

Our commitment to our customers has three major components:

Product Quality

**Innovation and Leadership
Customer Service and Support**

Through quality, innovation, and an unwavering commitment to customer satisfaction, Homeland Vinyl Products, Inc. is building a secure and prosperous future for itself and its customers.

MADE TO ORDER “MTO” PROGRAM

Some profiles and lengths are only available as “Made To Order” (MTO) and will only be produced as can be reasonably accommodated. Typical requirements for MTO requests are listed below but are subject to change. All MTO requests are subject to Customer Service approval and Production acceptance.

MTO Classification

- I. **Special Lengths:**
*Requires a 12 bundle minimum of one profile, one color, and only one length.
No stock. Must ship within 30 days of completion or will be invoiced. Twice yearly max.*
- II. **Proprietary and Exclusivity Profiles:**
*By special arrangement and typically run no more than once or twice a year.
Dependent upon volume orders. Must ship within 30 days of completion or will be invoiced. No stock.*
- III. **Special and Low Volume Profiles:**
*Typically run once or twice a year.
Standard lengths and colors only.
No special lengths.*

Contact your Homeland representative for information on the MTO program. MTO item requests must be submitted in writing via e-mail or fax. Not all requests can be accommodated.

Customer Account must be in good standing and current before MTO requests will be considered. MTO requests are not accepted until approved and confirmed in writing. Special Terms and Conditions of Sale apply to all MTO requests accepted as orders. Once confirmed, the order cannot be canceled by customer. Orders must ship complete once ready, leaving no back-orders. Your Homeland Representative will try to accommodate reasonable requests, but completed MTO orders must ship within 30 days of completion or will be invoiced. Consult your Homeland representative for additional details.

Minimum purchase quantity required of the same profile and color for all MTO items. Requirements vary. See the attached profile sheets or contact your Homeland representative for additional details.

Lead-times for “Made To Order” items cannot be estimated until requests have been approved and confirmed. Due to the infrequent running of MTO items, and depending on the item, it may be a number of weeks before an answer on an MTO request can be given. “Made To Order” items may only be produced a very limited number of times per year. Please plan ahead and make any MTO requests as early as possible to take advantage of each production run on MTO profiles.

Details and requirements of this program are subject to change without notice.

FABRICATION GUIDELINES

Homeland Vinyl Products does not warranty bowing of pickets. Please make sure of proper installation to reduce all of the factors mentioned.

1. *Metal stiffeners must be used in all rails for the Homewood series of product.*

2. *Make sure all metal stiffeners are in the correct orientation for the rail as used.*

3. *Make sure all rails are notched.*

4. *U-channel trim must be attached to the post to help stabilize T&G boards.*

5. *Do not use any clear wrapping or shrink wrap on fence for storage or transportation. Make sure any wrap or protection of the fence or profiles does not absorb and retain heat. It will cause warping.*

6. *Midrail must be used to reduce T&G bowing, especially on darker colors.*

7. *Product expansion and contraction is temperature dependent and will vary more in longer lengths and darker colors. Please take this into account during installation.*

8. *Do not store or install product next to a heat source.*

9. *Avoid installing the product near reflective surfaces (e.g. glass windows and glass doors), which can concentrate sunlight and heat the product.*

10. *Avoid installing the product on or adjacent to concrete, asphalt, or dark-colored gravel.*

11. *Scratches will be more evident in darker colors. Use caution when transporting and installing the Homewood series of products.*

12. *Make sure rail ends have at least 1 inch clearance of each other when inserted into posts for 6' spans, and at least 1.5 inch clearance on 8' spans. This will allow for adequate expansion and contraction of rails within the posts and prevent bowing.*

13. *Do not put dirt or mulch against rails. It could cause rails to permanently bow out.*

14. *CAUTION - Make sure pickets are cut for adequate clearance within the rail pocket to allow for thermal expansion. If the pickets are binding against the rail, they will cause excessive bowing with thermal expansion. When dealing with installation on slopes, ensure that there is adequate clearance for pickets inside of the rail and cut picket at a slight angle if necessary.*

Homeland Vinyl Products does not warranty bowing of pickets. Please make sure of proper installation to reduce all of the factors mentioned.

WAYMARK ACCESSORIES

COMPANY STATEMENT

Waymark Products, LLC is dedicated to delivering high quality products and excellent service to our customers without exception. We understand the importance of our customers' success in the Fence, Deck, Railing and Outdoor Living Products markets. We value our relationships with our customers and pledge that we will operate at the highest level of integrity.

CUSTOMER ACCOUNTS

All customers are required to complete an Application for Trade Account and update it periodically. This application requires the signature of a Corporate Officer, Managing Member, Partner or Owner. Waymark Products LLC only sells wholesale. Customers are required to provide a copy of their company's sales tax exemption certificate or resale certificate before any sale can be initiated. Customers are further required to provide Waymark Products LLC updated sales tax exemption or resale certificates upon expiration of the initial certificate provided. Standard terms are payment in full by electronic check, wire transfer, or credit card at time of shipment. Payments can be made at WaymarkProducts.com. Customers requesting credit terms must submit financial information. Credit terms are net 30 days subject to the approval of Waymark® based on financial data provided, credit checks, and payment history. Credit terms are subject to change. Customer accounts outside of agreed terms are subject to being placed On Hold with shipments held until the account is satisfied. Accounts not paid within terms will be charged interest at the rate of 1.5% per month. Prices are subject to change without notice.

PLACING ORDERS

All orders are subject to acceptance and approval. All orders must be submitted in writing by fax or email to Waymark Products, LLC. All product orders must be clearly identified by part number, color, detailed description, and quantity. Illegible orders will not be accepted. All orders will be confirmed in writing with the Terms and Conditions of Sale before acceptance. Confirmed orders cannot be canceled without authorization. Please contact a Waymark® Customer Service Representative for additional order information and requirements.

SHIPMENT OF ORDERS / DAMAGE OR SHORTAGES

Waymark® ships products from the factory and from distribution centers. Waymark reserves the right to ship its customers the products they ordered from any location. All prices are F.O.B. point of shipment. The customer is responsible for reviewing all order confirmations for the correct customer shipping address. Waymark strives to find the cheapest reliable shipping method for all orders. Waymark is not responsible for delays in delivery when caused by strikes, fires, accidents, Acts of God, or other forces outside of Waymark's control. Please contact a Waymark Customer Service Representative for your specific needs and additional shipping information.

All shipments received should be immediately inspected by the customer. All dents, tears, breakages, or other visible damage to both packaging materials and products should be noted on the shipping documents with a copy given to the freight carrier and a copy sent to Waymark. Damages or lost product due to shipping must be reported and claimed from the freight carrier. All claims of material shortages or damaged goods must be made within 48 hours of customer's receipt of products.

RETURNED GOODS POLICY

All returns of products must have the prior written approval of an authorized representative of Waymark®, must be for justifiable reasons such, and must be within 60 days of receipt of product. Customers requesting to return products must submit in writing in advance of return a detailed list of the materials to be returned, date of purchase, invoice number, and reason for return. Custom and special order items will not be accepted for return. Do not return any items without a return authorization. All returned material must be shipped to our TN location freight prepaid and include a list of the products returned and a copy of the Waymark return authorization. Returned products must be received by Waymark in same packaging and condition as originally sent and are subject to our Warehouse Manager's count and inspection. **Any credits issued for approved returns will be based on the invoice price of the returned products at time of purchase by customer less a restocking charge of 20%.**

LIMITED WARRANTY

Waymark® warrants that the products we manufacture are free of defects in materials and workmanship. Products distributed by Waymark, but not manufactured by Waymark, are covered under the original manufacturer's warranty. Please contact a Waymark Customer Service Representative for specific information on the warranty of the Waymark products you wish to purchase. Additional warranty information is detailed in the Terms and Conditions on the back of each invoice.

TERMS AND CONDITIONS OF SALE ARE SPECIFIED WITH ORDER CONFIRMATION AND DETAILED ON THE FRONT AND BACK OF EVERY INVOICE.

**Quick Tip: Understanding our Accessory part numbers**

Each item number is designated by class, dimensions, part description and color. For example: our 5" Pyramid cap in white (C55PYRAW) is broken out as follows:

Class: Cap Dimension: 5" x 5" Description: Pyramid Color: White

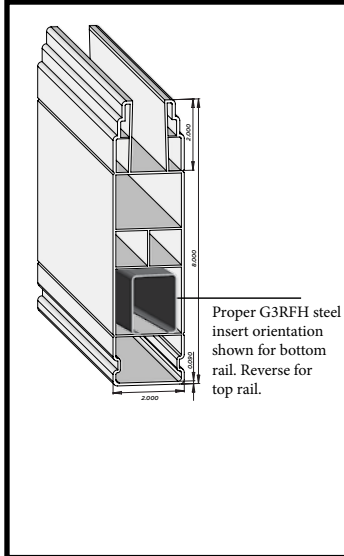
C | **55** | **PYRA** | **W**

Here is another example of our 7/8" x 3" Dog Ear picket cap in adobe (P783DEA):

Class: Picket Cap Dimension: 7/8" x 3" Description: Dog Ear Color: Adobe

P | **783** | **DE** | **A**

PRIVACY FENCE POCKET RAIL



2" X 8" NEXUS® POCKET RAIL

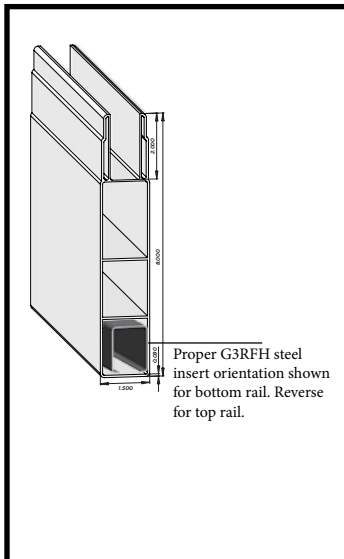
F3P8
2"x8" Nexus® Pocket Rail
(7/8" x 2" Pocket)
Pcs/Pallet: 55

NJ - 70", 94"

**F3P8 LIMITED AVAILABILITY.
 RUN ONLY ONCE OR TWICE
 YEARLY.**

W=White, T=Tan, D=Adobe

Proper G3RFH steel insert orientation shown for bottom rail. Reverse for top rail.



1-1/2" X 8" GORILLA® POCKET RAIL

F3P1
1-1/2" x 8" Gorilla® Pocket Rail
(7/8" x 2" Pocket)
Pcs/Pallet: 72

NJ - 94"
UT - 71-1/2", 76", 83", 16'

**F3P1 NJ, RUN ONLY ONCE OR
 TWICE YEARLY.**

W=White, T=Tan, D=Adobe

Proper G3RFH steel insert orientation shown for bottom rail. Reverse for top rail.

Availability and profile dimensions are subject to change without notice. Check with manufacturer before ordering. All dimensions are subject to manufacturer's tolerances. Nexus® is a registered trademark of Homeland Vinyl Products, Inc. Gorilla® is a registered trademark of Homeland Vinyl Products, Inc. **Only runs once or twice yearly.

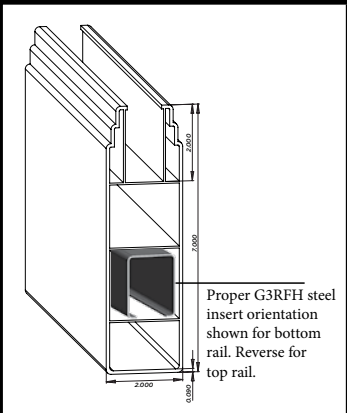
HOMELAND VINYL PRODUCTS, Inc.

18-067-M1116

Homeland Profiles: 800.999.6813 | www.Homelandvinyl.com | Waymark Accessories: 877-652-6118

**PRIVACY FENCE
POCKET RAIL**

2" X 7" SUN POCKET RAIL

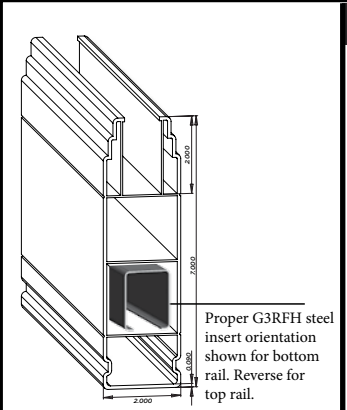


FFS7
2" x 7" Sun Pocket Rail
(7/8" x 2" Pocket)
Pcs/Pallet: 66

NJ - 94", 12', 16'

W=White, T=Tan, D=Adobe

2" X 7" NEXUS® POCKET RAIL



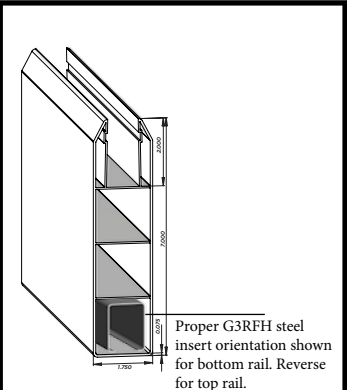
F3P2
2" x 7" Nexus® Pocket Rail
(7/8" x 2" Pocket)
Pcs/Pallet: 66
AL - 71-1/2" ,94" , 16'
NJ - 71-1/2" ,94" , 16'

HOMEWOOD OPTION F3P2 ONLY
O=Mocha Walnut, Y=Honey Maple,
Q=Earl Gray, U=Green Teak

F3P2
Pcs/Pallet: 66
AL - 94" (With Steel Inserted),
16' (Insert Required Separately)

W=White, T=Tan, D=Adobe

1-3/4" X 7" NEXUS® POCKET RAIL



F3P7
1-3/4" x 7" Nexus® Pocket Rail
(7/8" x 2" Pocket)
Pcs/Pallet: 72
AL - MTO
UT - MTO

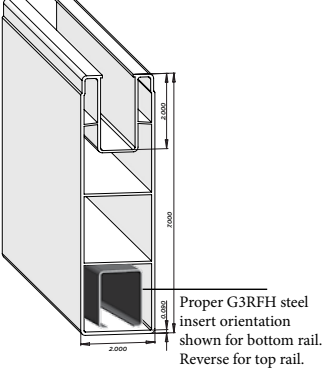
F3P7 LIMITED AVAILABILITY.
RUN ONLY ONCE OR TWICE
YEARLY.

W=White, T=Tan, D=Adobe

Availability and profile dimensions are subject to change without notice. Check with manufacturer before ordering.
 All dimensions are subject to manufacturer's tolerances. **Only runs once or twice yearly.

Gorilla® is a registered trademark of Homeland Vinyl Products, Inc. Nexus® is a registered trademark of Homeland Vinyl Products, Inc.

PRIVACY FENCE POCKET RAIL



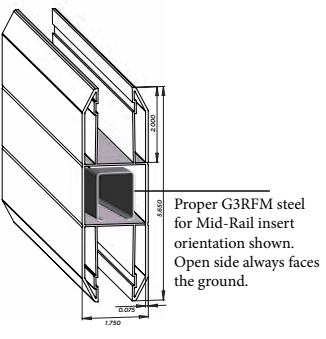
2" X 7" GORILLA® POCKET RAIL

F3BF
2" x 7" Gorilla® Pocket Rail
(7/8" x 2" Pocket)
Pcs/Pallet: 66

NJ - MTO

**F3BF LIMITED AVAILABILITY.
 RUN ONLY ONCE OR TWICE
 YEARLY.**

W=White, T=Tan, D=Adobe



1-3/4" X 5-1/2" NEXUS® MID-RAIL

P29

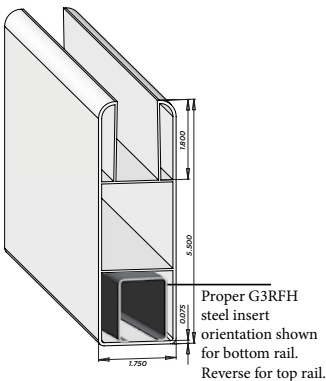
F3PM
1-3/4" x 5-1/2" Nexus® Mid-Rail
(7/8" x 2" Pocket)
Pcs/Pallet: 98
AL - 94", 16'
UT - 71-1/2", 16'

Note: 16' Insert Required Separately

HOMEWOOD OPTION F3PM ONLY

O=Mocha Walnut, Y=Honey Maple,
 Q=Earl Gray, U=Green Teak

F3PM
Pcs/Pallet: 98
AL - 71-1/2", 94" (With Steel Inserted),
16' (Insert Required Separately)
UT - 71-1/2" (With Steel Inserted),- Honey Maple Only
16' (Insert Required Separately)- Honey Maple Only



1-3/4" X 5-1/2" GORILLA® POCKET RAIL

F37C
1-3/4" x 5-1/2" Gorilla® Pocket Rail
(7/8" x 1 3/4" Pocket)
Pcs/Pallet: 98
AL - 71-1/2", 94", 16'
NJ - 71-1/2", 94", 16'
UT - 71-1/2", 94", 16'

HOMEWOOD OPTION F37C ONLY

O=Mocha Walnut, Y=Honey Maple,
 Q=Earl Gray, U=Green Teak

F37C
Pcs/Pallet: 98
UT - 71-1/2" (With Steel Inserted),- Honey Maple Only
16' (Insert Required Separately)- Honey Maple Only

Availability and profile dimensions are subject to change without notice. Check with manufacturer before ordering.

All dimensions are subject to manufacturer's tolerances. **Only runs once or twice yearly.

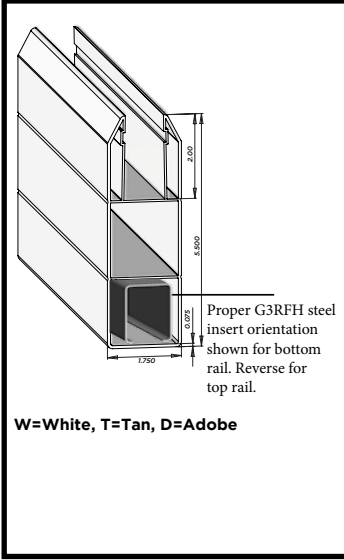
Gorilla® is a registered trademark of Homeland Vinyl Products, Inc. Nexus® is a registered trademark of Homeland Vinyl Products, Inc.

HOMELAND VINYL PRODUCTS, Inc.

18-067-M1116

Homeland Profiles: 800.999.6813 | www.Homelandvinyl.com | Waymark Accessories: 877-652-6118

**PRIVACY FENCE
POCKET RAIL**



W=White, T=Tan, D=Adobe

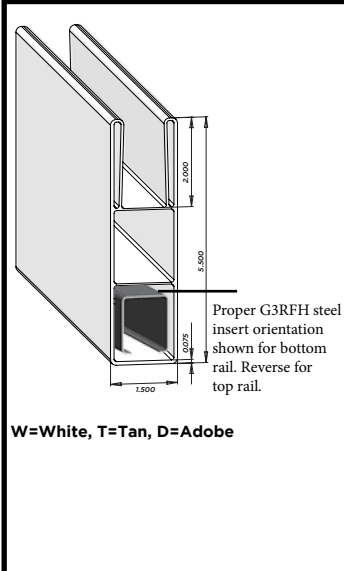
1-3/4" X 5-1/2" NEXUS® POCKET RAIL P29

F3P5
1-3/4" x 5-1/2" Nexus® Pocket Rail
(7/8" x 2" Pocket)
Pcs/Pallet: 98
AL - 71-1/2", 94", 16'

Note: 16' Insert Required Separately

HOMEWOOD OPTION F3P5 ONLY
O=Mocha Walnut, Y=Honey Maple,
Q=Earl Gray, U=Green Teak

F3P5
Pcs/Pallet: 98
AL - 71-1/2", 94" (With Steel Inserted),
16' (Insert Required Separately)



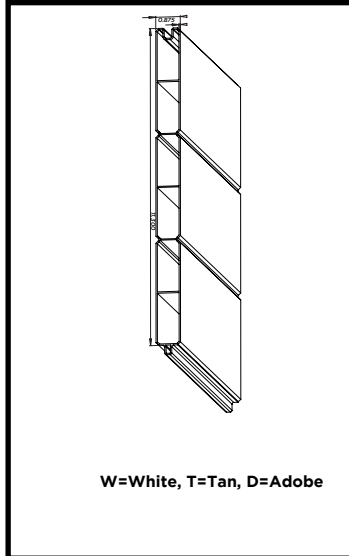
W=White, T=Tan, D=Adobe

1-1/2" X 5-1/2" GORILLA® POCKET RAIL P29

F32G
1-1/2" x 5-1/2" Gorilla® Pocket Rail
(7/8" x 2" Pocket)
Pcs/Pallet: 114
AL - 71-1/2", 94", 16'
NJ - 71-1/2", 94", 16'
UT - 71-1/2", 94", 16'

Note: 16' Insert Required Separately

PRIVACY FENCE PRIVACY PICKETS



W=White, T=Tan, D=Adobe

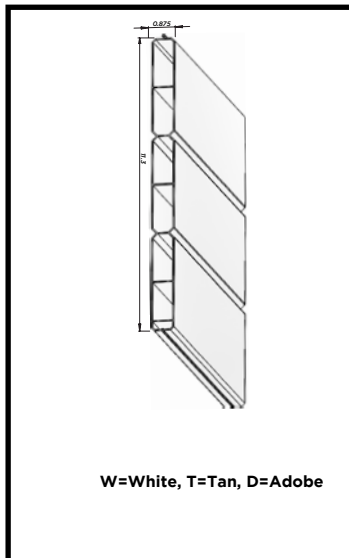
7/8" X 11.3" GORILLA® T&G

F61S
7/8" x 11.3" Gorilla® T&G
Pcs/Pallet: 100

UT - 55-1/4", 60-1/4", 62-1/4", 64",
16' (100 Pcs/Pallet)

HOMEWOOD OPTION F61S ONLY
O=Mocha Walnut, Y=Honey Maple,
Q=Earl Gray, U=Green Teak

F61S
Pcs/Pallet: 100
UT - MTO Only - Honey Maple Only



W=White, T=Tan, D=Adobe

7/8" X 11.3" GORILLA® LOCKING PICKET

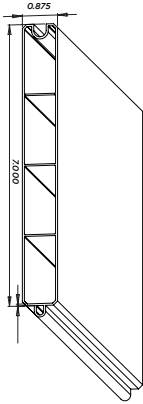
F61L
7/8" x 11.3" Gorilla® Locking Picket
Pcs/Pallet: 100

UT - 62-1/4", 16'

F61L LIMITED AVAILABILITY.
RUN ONLY ONCE OR TWICE
YEARLY.

Availability and profile dimensions are subject to change without notice. Check with manufacturer before ordering.
All dimensions are subject to manufacturer's tolerances. **Only runs once or twice yearly.
Gorilla® is a registered trademark of Homeland Vinyl Products, Inc.

**PRIVACY FENCE
PRIVACY PICKETS**

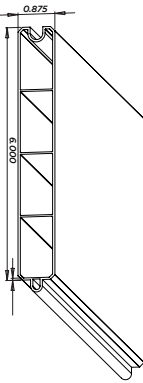


7/8" X 7" GORILLA® T&G

F62S
7/8" x 7" Gorilla® T&G
Pcs/Pallet: 148 (16'),
Shorter Lengths, 292

NJ - 60", 61", 16'

F62S LIMITED AVAILABILITY.
RUN ONLY ONCE OR TWICE
YEARLY.



7/8" X 6" GORILLA® T&G

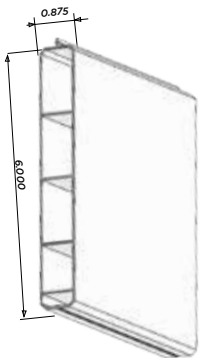
P26, P28

F54G
7/8" x 6" Gorilla® T&G
Pcs/Pallet: 178 (16'),
Shorter Lengths, 346
AL - 48", 52", 60", 61", 62-1/4", 64", 16'
NJ - 48", 52", 57-1/2", 59-1/2", 60", 61",
62-1/4", 64", 16'
UT - 47-1/4", 59-1/4", 60-1/4", 62-1/4", 16'

HOMEWOOD OPTION F54C ONLY
O=Mocha Walnut, Y=Honey Maple,
Q=Earl Gray, U=Green Teak

F54C
7/8" x 6" Homewood® T&G
Pcs/Pallet: 178 (16')
AL - 30-1/2", 16'
UT - 16' - Honey Maple Only

W=White, T=Tan, D=Adobe



7/8" X 6" GORILLA® LOCKING PICKET

F54L
7/8" x 6" Gorilla® Locking Picket

Pcs/Pallet: 178 (16'),
Shorter Lengths, 346

NJ - MTO

F54L LIMITED AVAILABILITY.
RUN ONLY ONCE OR TWICE
YEARLY.

W=White, T=Tan, D=Adobe

Availability and profile dimensions are subject to change without notice. Check with manufacturer before ordering.
All dimensions are subject to manufacturer's tolerances. **Only runs once or twice yearly.

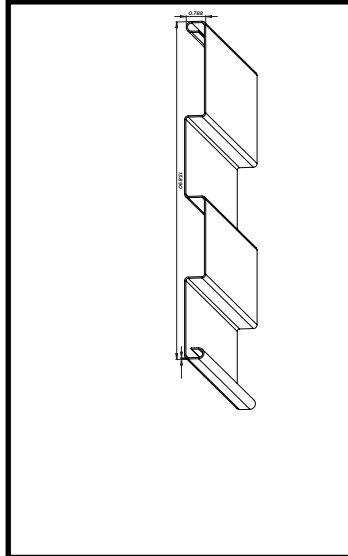
Gorilla® is a registered trademark of Homeland Vinyl Products, Inc.

HOMELAND VINYL PRODUCTS, Inc.

18-067-M1116

Homeland Profiles: 800.999.6813 | www.Homelandvinyl.com | Waymark Accessories: 877-652-6118

**PRIVACY FENCE
PRIVACY PICKETS**

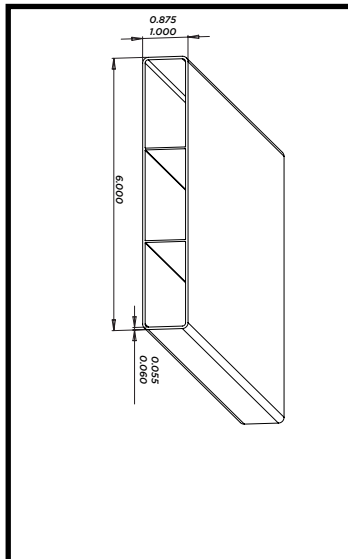


7/8" X 14" GORILLA® PRIVACY NO EMBOSS PANEL

F55B
7/8" x 14" Gorilla® Privacy No Emboss Panel
Pcs/Pallet: 96
AL - 29", 64", 12'6"

**F55B LIMITED AVAILABILITY.
 RUN ONLY ONCE OR TWICE
 YEARLY.**

W=White, T=Tan, D=Adobe



7/8" X 6" RIBBED STANDARD

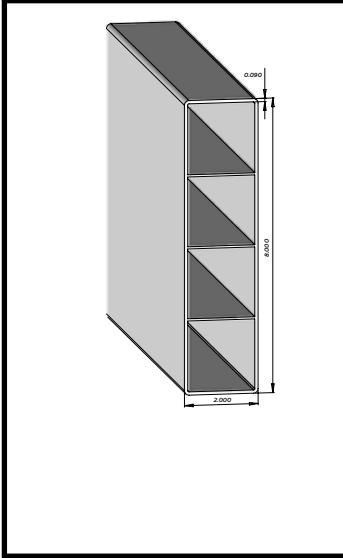
P26

F56R
7/8"x6" Ribbed Standard
Pcs/Pallet: 178
AL - 12', 16'
NJ - 16' (Stocked In NJ - White & Tan)

W=White, T=Tan, D=Adobe

Availability and profile dimensions are subject to change without notice. Check with manufacturer before ordering.
 All dimensions are subject to manufacturer's tolerances.
 **Only runs once or twice yearly.

FENCE RAILS

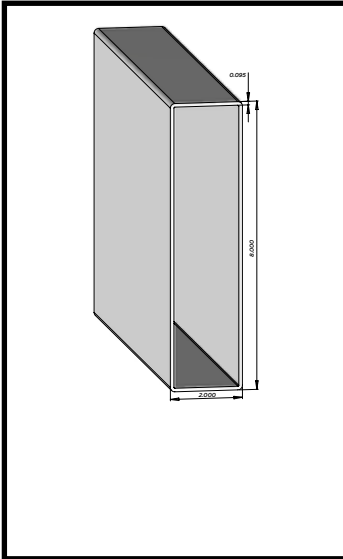


2" X 8" RIBBED RAIL

F2OR
2"x8" Ribbed Rail
Pcs/Pallet: 66
AL - 16', 24'

F2OR LIMITED AVAILABILITY.
RUN ONLY ONCE OR TWICE
YEARLY.

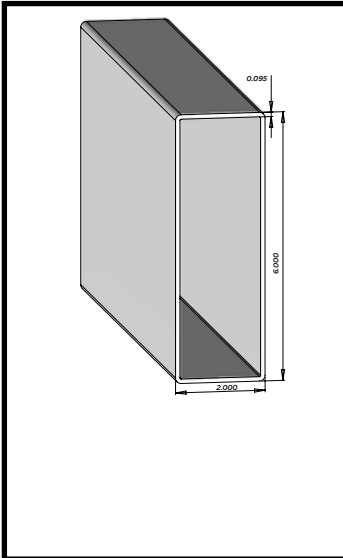
W=White, T=Tan, D=Adobe



2" X 8" HOLLOW RAIL

F2OS
2" X 8" Hollow Rail
Pcs/Pallet: 66
AL - 16', 24'

W=White, T=Tan, D=Adobe



2" X 6" HOLLOW RAIL

F22E
2"x6" Hollow Rail
Pcs/Pallet: 88
AL - 16', 24'

W=White, T=Tan, D=Adobe

Availability and profile dimensions are subject to change without notice. Check with manufacturer before ordering.
 All dimensions are subject to manufacturer's tolerances.
 **Only runs once or twice yearly.

FENCE RAILS

2" X 6" RIBBED RAIL

F22C (0.090 wall)
2"x6" Ribbed Rail
Pcs/Pallet: 88
AL - 94", 12', 16'
NJ - 8', 94", 16' (Stocked In NJ - White & Tan)
UT - 12', 16'

W=White, T=Tan, D=Adobe

1-1/2" X 5-1/2" RIBBED RAIL (UTILITY & UTILITY VALUE)

<p>F27C (0.095 Wall) 1-1/2" x 5-1/2" Ribbed Rail Pcs/Pallet: 114 AL - 16' UT - 16'</p> <div style="border: 1px solid black; padding: 5px; margin: 10px 0;"> <p>F27C LIMITED AVAILABILITY. RUN ONLY ONCE OR TWICE YEARLY.</p> </div> <div style="border: 1px solid black; padding: 5px; margin: 10px 0;"> <p>HOMELAND OPTION F27C ONLY O=Mocha Walnut, Y=Honey Maple, Q=Earl Gray, U=Green Teak</p> </div> <p>F27C (0.095 Wall) 1-1/2" x 5-1/2" Ribbed Rail Pcs/Pallet: 114 AL - 16' UT - 16' Honey Maple Only Steel insert required in each rail</p>	<p>F27E (0.080 Wall) 1-1/2" x 5-1/2" Ribbed Utility Rail Pcs/Pallet: 114 AL - 16' NJ - 16' * UT - 16'</p> <hr style="border: 1px solid black; margin: 10px 0;"/> <p>F27M (0.070 Wall) 1-1/2" x 5-1/2" Utility Value Rail (Color Inside) Pcs/Pallet: 114 AL - 16' UT - 16'</p>
--	---

W=White, T=Tan, D=Adobe

Availability and profile dimensions are subject to change without notice. Check with manufacturer before ordering.

All dimensions are subject to manufacturer's tolerances.

*Limited availability, Check with customer service.

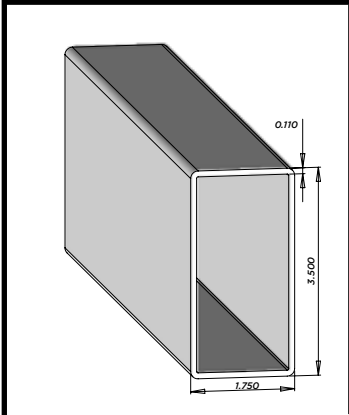
**Only runs once or twice yearly.

HOMELAND VINYL PRODUCTS, Inc.

18-067-M1116

Homeland Profiles: 800.999.6813 | www.Homelandvinyl.com | Waymark Accessories: 877-652-6118

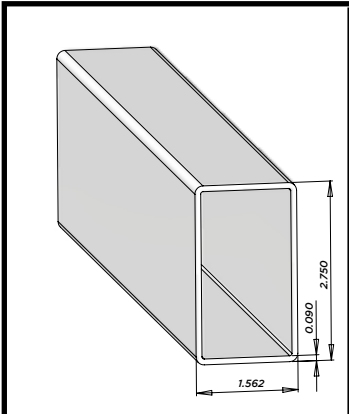
FENCE RAILS



W=White, T=Tan, D=Adobe

1-3/4" X 3-1/2" HOLLOW STANDARD

F25B (0.110 wall)
1-3/4" x 3-1/2" Hollow Standard Rail
Pcs/Pallet: 156
AL - 12', 16'
UT - 12', 16'



W=White, T=Tan, D=Adobe

1-1/2" X 2-3/4" STANDARD RAIL

F23S (0.090 wall)
1-1/2" x 2-3/4" Standard Rail
Pcs/Pallet: 224
AL - MTO

**F23S LIMITED AVAILABILITY.
 RUN ONLY ONCE OR TWICE
 YEARLY.**

Availability and profile dimensions are subject to change without notice. Check with manufacturer before ordering.

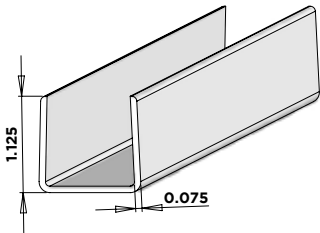
All dimensions are subject to manufacturer's tolerances.

*Limited availability, Check with customer service.

**Only runs once or twice yearly.

FENCE / SPECIALTY PRODUCTS

RAILS, U-CHANNEL, TRIM CHANNEL

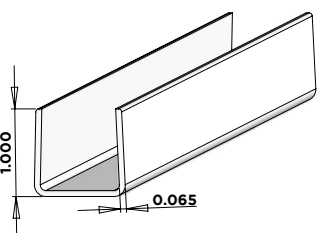


1" U-CHANNEL STANDARD

F82S
1" U-Channel Standard
Pcs/Box: 64
AL -10'2"

- NO MTO

W=White, T=Tan, D=Adobe



7/8" U-CHANNEL STANDARD

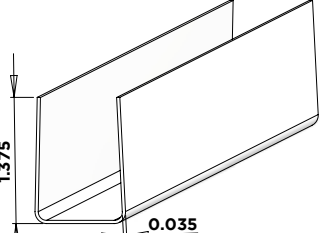
F83S
7/8" U-Channel Standard
Pcs/Box: 64 (10' 2")
(Shorter lengths
1280 Pcs/Pallet)
AL - 10'2", 60-7/8"
NJ - 10'2" (Stocked In NJ)
UT - 10'2" (Stocked In UT)

- NO MTO

HOMWOOD OPTION F83S ONLY
O=Mocha Walnut, Y=Honey Maple,
Q=Earl Gray, U=Green Teak

F83S
Pcs/Pallet: 64
AL - 10'2"
UT - 10'2"- Honey Maple Only (Stocked In UT)

W=White, T=Tan, D=Adobe



7/8" TRIM CHANNEL

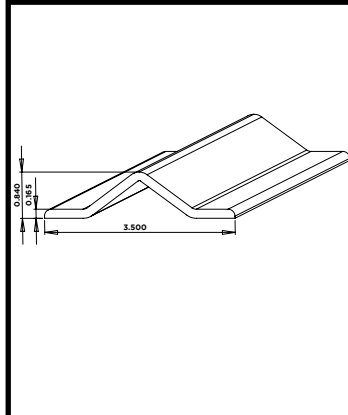
F83U
7/8" Trim Channel
Pcs/Box: 60 (10' 2")
(Shorter lengths
840 Pcs/Pallet)
AL - 10'2", 58-3/4", 59-1/4", 60-7/8"
NJ - 58", 58-3/4", 60-7/8", 10'2" (Stocked In NJ)
UT - 10'2", 52", 57", 58-3/4", 59" (Stocked In UT)

- NO MTO

W=White, T=Tan, D=Adobe

Availability and profile dimensions are subject to change without notice. Check with manufacturer before ordering.
All dimensions are subject to manufacturer's tolerances.
**Only runs once or twice yearly.

SPECIALTY PRODUCTS
GATE BRACE, LATTICE CHANNEL



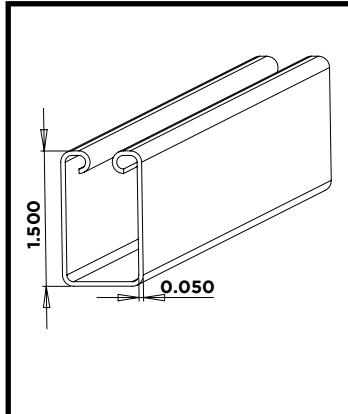
GATE SUPPORT BRACE

F86S (0.165 wall)
Gate Support Brace
Bundled: 240 pcs
Boxed: 24 pcs

- NO MTO

AL - 8' (Bundled), 12' (Box)

W=White, T=Tan, D=Adobe

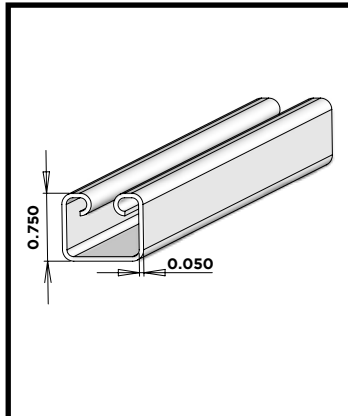


1-1/2" LATTICE CHANNEL

F88S (0.050 wall)
1-1/2" Lattice Channel
Pcs/Box: 32
AL - 8'

- NO MTO

W=White, T=Tan, D=Adobe



3/4" LATTICE CHANNEL

F89S (0.050 wall)
3/4" Lattice Channel
Pcs/Box: 60
AL - 8'

- NO MTO

W=White, T=Tan, D=Adobe

Availability and profile dimensions are subject to change without notice. Check with manufacturer before ordering.
 All dimensions are subject to manufacturer's tolerances.

VINYL LATTICE

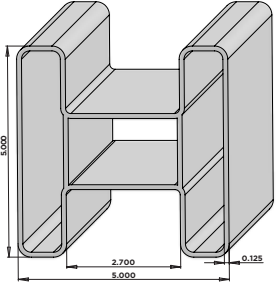
Classic Lattice, Privacy Lattice, Pre-Cut Lattice

4' x 8' CLASSIC LATTICE		
	DIMENSIONS: 4' x 8' OPENING: 2 3/4"	PART NUMBER: L4X8CLS + W, T, A STOCK COLORS: WHITE, TAN, ADOBE
	PALLET QTY: 60 WHITE, 30 IN COLORS PALLET WEIGHT: 960 LBS. WHITE, 500 LBS. IN COLORS	
4' x 8' PRIVACY LATTICE		
	DIMENSIONS: 4' x 8' OPENING: 1 1/16"	PART NUMBER: L4X8PRV + W, T STOCK COLORS: WHITE, TAN
	PALLET QUANTITY: 30 PALLET WEIGHT: 530 LBS.	
1' x 8' PRE-CUT CLASSIC LATTICE PALLET		
	DIMENSIONS: 1' x 8' OPENING: 2 3/4"	PART NUMBER: LPRECUT + W, T, A STOCK COLORS: WHITE, TAN, ADOBE
	PALLET QTY: 240 WHITE, 120 IN COLORS PALLET WEIGHT: 960 LBS. WHITE, 500 LBS. IN COLORS	
1' x 8' PRE-CUT CLASSIC LATTICE BOXED		
	DIMENSIONS: 1' x 8' OPENING: 2 3/4"	PART NUMBER: LCUTBOX + W, T, A STOCK COLORS: WHITE, TAN, ADOBE
	BOX QTY: 16 BOX WEIGHT: 65 LBS.	

Availability and profile dimensions are subject to change without notice. Check with manufacturer before ordering. All dimensions are subject to manufacturer's tolerances. Waymark is a registered trademark of Waymark Products, LLC.

**PRIVACY FENCE
TUF-FENCE®**

TUF-FENCE® H-POST



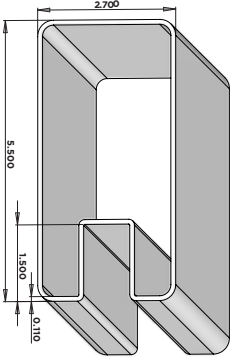
**FT01
Tuf-Fence®
H-Post**

AL - 9', 10'

**FT01 LIMITED AVAILABILITY.
RUN ONLY ONCE OR TWICE
YEARLY.**

W=White, T=Tan, D=Adobe - ALABAMA ONLY

TUF-FENCE® POCKET RAIL



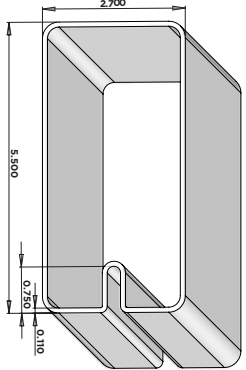
**FT12
Tuf-Fence®
Pocket Rail**

AL - 96.25"

**FT12 LIMITED AVAILABILITY.
RUN ONLY ONCE OR TWICE
YEARLY.**

W=White, T=Tan, D=Adobe - ALABAMA ONLY

TUF-FENCE® LATTICE TOP RAIL



**FT13
Tuf-Fence®
Lattice Top Rail**

AL - 96.25"

**FT13 LIMITED AVAILABILITY.
RUN ONLY ONCE OR TWICE
YEARLY.**

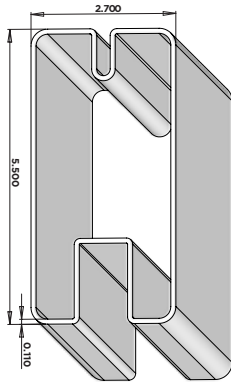
W=White, T=Tan, D=Adobe - ALABAMA ONLY

Availability and profile dimensions are subject to change without notice. Check with manufacturer before ordering.

All dimensions are subject to manufacturer's tolerances. **Only runs once or twice yearly.

Gorilla® is a registered trademark of Homeland Vinyl Products, Inc. Tuf-Fence® is a registered trademark of Homeland Vinyl Products, Inc.

PRIVACY FENCE TUF-FENCE®



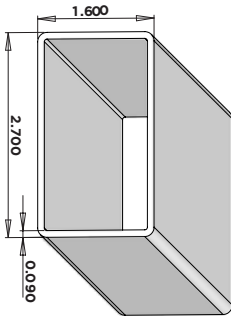
TUF-FENCE® MID-RAIL

FT11
Tuf-Fence®
Mid-Rail

AL - 96.25"

**FT11 LIMITED AVAILABILITY.
RUN ONLY ONCE OR TWICE
YEARLY.**

W=White, T=Tan, D=Adobe - ALABAMA ONLY

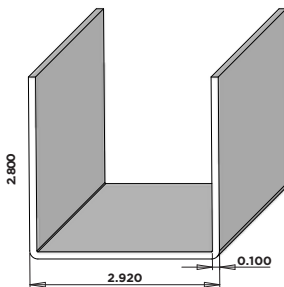


TUF-FENCE® H-POST INSERT

FT02
Tuf-Fence®
Insert for H-Post

AL - 8'

W=White, T=Tan, D=Adobe - ALABAMA ONLY



TUF-FENCE® U-CHANNEL (LONG LEG)

FT03
Tuf-Fence®
U-Channel (Long Leg)

AL - 8'

W=White, T=Tan, D=Adobe - ALABAMA ONLY

Availability and profile dimensions are subject to change without notice. Check with manufacturer before ordering.

All dimensions are subject to manufacturer's tolerances. **Only runs once or twice yearly.

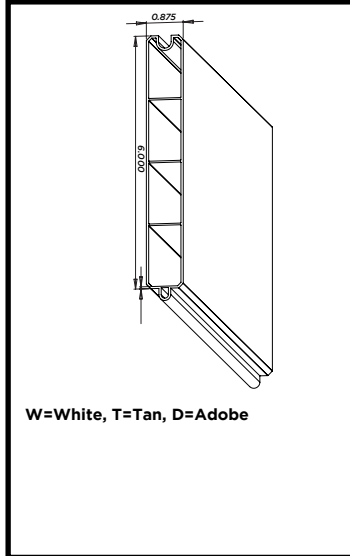
Gorilla® is a registered trademark of Homeland Vinyl Products, Inc. Tuf-Fence® is a registered trademark of Homeland Vinyl Products, Inc.

HOMELAND VINYL PRODUCTS, Inc.

18-067-M1116

Homeland Profiles: 800.999.6813 | www.Homelandvinyl.com | Waymark Accessories: 877-652-6118

**PRIVACY FENCE
TUF-FENCE®**



7/8" X 6" GORILLA® T&G

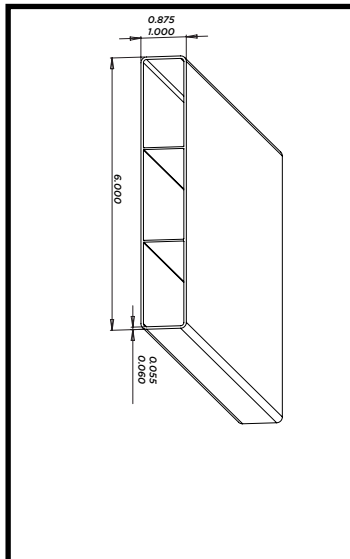
P16, P28

F54G
7/8" x 6" Gorilla® T&G
Pcs/Pallet: 178 (16'),
Shorter Lengths, 346
AL - 48", 52", 60", 61", 62-1/4", 64", 16'
NJ - 48", 52", 57-1/2", 59-1/2", 60", 61",
62-1/4", 64", 16'
UT - 47-1/4", 59-1/4", 60-1/4", 62-1/4", 16'

HOMEWOOD OPTION F54C ONLY

O=Mocha Walnut, Y=Honey Maple,
 Q=Earl Gray, U=Green Teak

F54C
7/8" x 6" Homewood® T&G
Pcs/Pallet: 178 (16')
AL - 30-1/2", 16'
UT - 16' - Honey Maple Only



7/8" X 6" RIBBED STANDARD

P17

F56R
7/8"x6" Ribbed Standard
Pcs/Pallet: 178
AL - 12', 16'

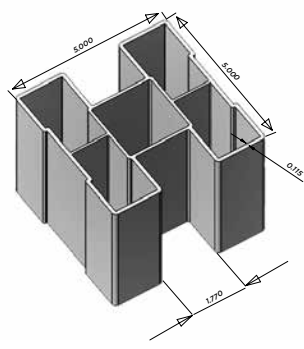
W=White, T=Tan, D=Adobe

Availability and profile dimensions are subject to change without notice. Check with manufacturer before ordering.

All dimensions are subject to manufacturer's tolerances. **Only runs once or twice yearly.

Gorilla® is a registered trademark of Homeland Vinyl Products, Inc. Tuf-Fence® is a registered trademark of Homeland Vinyl Products, Inc.

PRIVACY FENCE GORILLA® FENCE



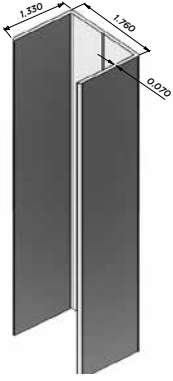
5" X 5" GORILLA® H-POST

FTG1 (0.115 wall)
5" x 5" Gorilla®
H-Post

AL - 9', 10'

**FTG1 LIMITED AVAILABILITY.
 RUN ONLY ONCE OR TWICE
 YEARLY.**

U=Green Teak, W=White, T=Tan, D=Adobe



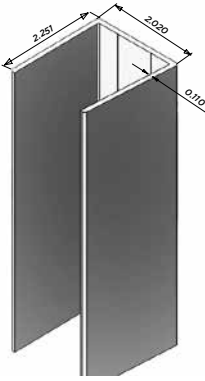
1-1/2 GORILLA® POST INSERT

FTG2 (0.070 wall)
1-1/2 Gorilla®
Post Insert

AL - 8'

**FTG2 LIMITED AVAILABILITY.
 RUN ONLY ONCE OR TWICE
 YEARLY.**

U=Green Teak, W=White, T=Tan, D=Adobe



1-3/4 GORILLA® FENCE U-CHANNEL

FTG3 (0.110 wall)
1-3/4 Gorilla®
Fence U-Channel

AL - 8'

**FTG3 LIMITED AVAILABILITY.
 RUN ONLY ONCE OR TWICE
 YEARLY.**

U=Green Teak, W=White, D=Adobe

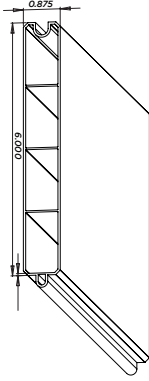
Availability and profile dimensions are subject to change without notice. Check with manufacturer before ordering.
 All dimensions are subject to manufacturer's tolerances. **Only runs once or twice yearly.
 Gorilla® is a registered trademark of Homeland Vinyl Products, Inc.

HOMELAND VINYL PRODUCTS, Inc. 18-067-M1116

**PRIVACY FENCE
GORILLA® FENCE**

7/8" X 6" GORILLA® T&G

P16, P26



W=White, T=Tan, D=Adobe

F54G

7/8" x 6" Gorilla® T&G

Pcs/Pallet: 178 (16'),

Shorter Lengths, 346

AL - 48", 52", 60", 61", 62-1/4", 64", 16'

**NJ - 48", 52", 57-1/2", 59-1/2", 60", 61",
62-1/4", 64", 16'**

UT - 47-1/4", 59-1/4", 60-1/4", 62-1/4", 16'

HOMEWOOD OPTION F54C ONLY

O=Mocha Walnut, Y=Honey Maple,
Q=Earl Gray, U=Green Teak

F54C

7/8" x 6" Homewood® T&G

Pcs/Pallet: 178 (16')

AL - 30-1/2", 16'

UT - 16' - Honey Maple Only

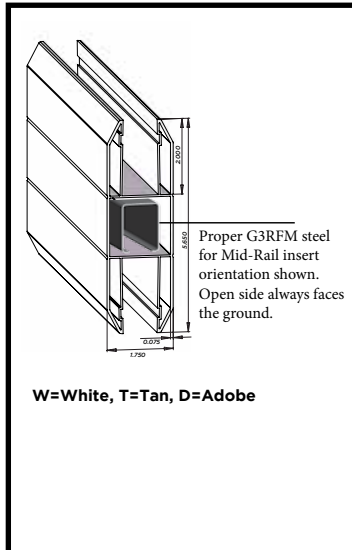
Availability and profile dimensions are subject to change without notice. Check with manufacturer before ordering.

All dimensions are subject to manufacturer's tolerances. **Only runs once or twice yearly.

Gorilla® is a registered trademark of Homeland Vinyl Products, Inc.

HOMELAND VINYL PRODUCTS, Inc.

PRIVACY FENCE GORILLA® FENCE



1-3/4" X 5-1/2" NEXUS® MID-RAIL P13

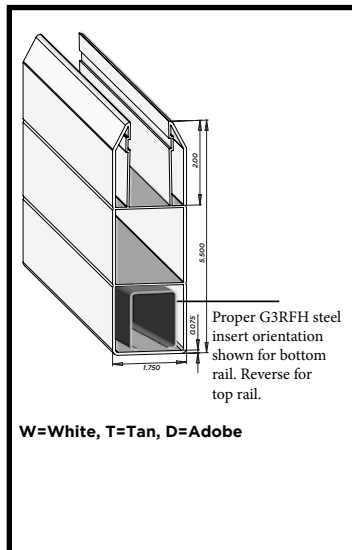
F3PM
1-3/4" x 5-1/2" Nexus® Mid-Rail
 (7/8" x 2" Pocket)
Pcs/Pallet: 98
AL - 94", 16'
UT - 71-1/2", 16'

Note: 16' Insert Required Separately

HOMEWOOD OPTION F3PM ONLY
O=Mocha Walnut, Y=Honey Maple,
Q=Earl Gray, U=Green Teak

F3PM
Pcs/Pallet: 98
AL - 71-1/2", 94" (With Steel Inserted),
16' (Insert Required Separately)
UT - 71-1/2" (With Steel Inserted),- Honey Maple Only
16' (Insert Required Separately)- Honey Maple Only

W=White, T=Tan, D=Adobe



1-3/4" X 5-1/2" NEXUS® POCKET RAIL P14

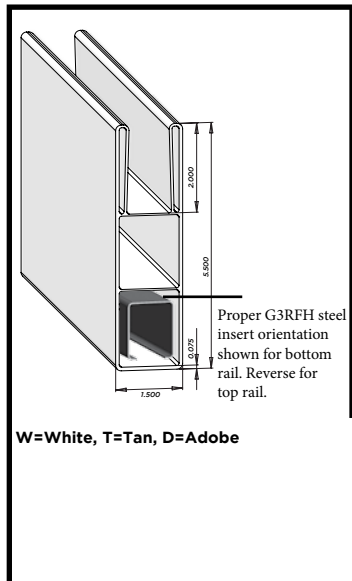
F3P5
1-3/4" x 5-1/2" Nexus® Pocket Rail
 (7/8" x 2" Pocket)
Pcs/Pallet: 98
AL - 71-1/2", 94", 16'

Note: 16' Insert Required Separately

HOMEWOOD OPTION F3P5 ONLY
O=Mocha Walnut, Y=Honey Maple,
Q=Earl Gray, U=Green Teak

F3P5
Pcs/Pallet: 98
AL - 71-1/2", 94" (With Steel Inserted),
16' (Insert Required Separately)

W=White, T=Tan, D=Adobe



1-1/2" X 5-1/2" GORILLA® POCKET RAIL P14

F32G
1-1/2" x 5-1/2" Gorilla® Pocket Rail
 (7/8" x 2" Pocket)
Pcs/Pallet: 114
AL - 71-1/2", 94", 16'
NJ - 71-1/2", 94", 16'
UT - 71-1/2", 94", 16'

Note: 16' Insert Required Separately

W=White, T=Tan, D=Adobe


Availability and profile dimensions are subject to change without notice. Check with manufacturer before ordering.
 All dimensions are subject to manufacturer's tolerances. **Only runs once or twice yearly.


Gorilla® is a registered trademark of Homeland Vinyl Products, Inc. Nexus® is a registered trademark of Homeland Vinyl Products, Inc.
HOMELAND VINYL PRODUCTS, Inc. 18-067-M1116


Homeland Profiles: 800.999.6813 | www.Homelandvinyl.com | Waymark Accessories: 877-652-6118

END CAPS, HOLE PLUGS, GATE POCKETS

End Caps, Hole Plugs

2" x 3 1/2" INTERNAL END CAP		
	DIMENSIONS: 2" x 3-1/2"	PART NUMBER: EC235 + W, T, A STOCK COLORS: WHITE, TAN, ADOBE
	BOX QTY: 200 BOX WEIGHT: 9 LBS.	FITS WALL THICKNESS OF .090-.110 SURFACE FACE IS FLAT

2" x 3 1/2" EXTERNAL END CAP		
	DIMENSIONS: 2" x 3-1/2" CAP LIP: 9/16" H	PART NUMBER: EEC235 + W, T, A, MW, HM, EG, GT STOCK COLORS: WHITE, TAN, ADOBE, MOCHA WALNUT, HONEY MAPLE, EARL GRAY, GREEN TEAK
	BOX QTY: 100 BOX WEIGHT: 6 LBS.	SLIGHT PYRAMID SHAPE ON SURFACE FACE

1 1/2" x 5 1/2" INTERNAL END CAP		
	DIMENSIONS: 1 1/2" x 5-1/2"	PART NUMBER: EC1555 + W, T, A STOCK COLORS: WHITE, TAN, ADOBE
	BOX QTY: 125 BOX WEIGHT: 7.5 LBS.	FITS WALL THICKNESS OF .090-.110 SURFACE FACE IS FLAT







2" x 6" INTERNAL END CAP		
	DIMENSIONS: 2" x 6"	PART NUMBER: EC260 + W, T, A STOCK COLORS: WHITE, TAN, ADOBE
	BOX QTY: 100 BOX WEIGHT: 8 LBS.	FITS WALL THICKNESS OF .090-.110 SURFACE FACE IS FLAT

2" x 6" EXTERNAL END CAP		
	DIMENSIONS: 2" x 6" CAP LIP: 9/16" H	PART NUMBER: EEC260 + W, T, A, MW, HM, EG, GT STOCK COLORS: WHITE, TAN, ADOBE, MOCHA WALNUT, HONEY MAPLE, EARL GRAY, GREEN TEAK
	BOX QTY: 100 BOX WEIGHT: 9.5 LBS.	SLIGHT PYRAMID SHAPE ON SURFACE FACE

Waymark is a registered trademark of Waymark Products, LLC.

END CAPS, HOLE PLUGS, GATE POCKETS

Hole Plugs, Gate Pockets

5/8" HOLE PLUG		
	DIAMETER: 5/8"	PART NUMBER: HP5/8 + W, T, A, BK, MW, HM, EG, GT
	BOX QTY: 500 BOX WEIGHT: 2 LBS.	STOCK COLORS: WHITE, TAN, ADOBE, BLACK, MOCHA WALNUT, HONEY MAPLE, EARL GRAY, GREEN TEAK FLAT WITH TAPERED EDGE PROVIDES A FINISHED LOOK. MATTE FINISH PVC PLUG.
1 1/4" HOLE PLUG		
	DIAMETER: 1 1/4"	PART NUMBER: HP125 + W, T, A, BK, MW, HM, EG, GT
	BOX QTY: 200 BOX WEIGHT: 2 LBS.	STOCK COLORS: WHITE, TAN, ADOBE, BLACK, MOCHA WALNUT, HONEY MAPLE, EARL GRAY, GREEN TEAK FLAT WITH TAPERED EDGE PROVIDES A FINISHED LOOK. MATTE FINISH PVC PLUG.
1 1/2" x 5 1/2" DECORATIVE HOLE PLUG		
	DIMENSIONS: 3" x 7 3/8"	PART NUMBER: HP1555 + W, T, A STOCK COLORS: WHITE, TAN, ADOBE
	BOX QTY: 36 BOX WEIGHT: 4.5 LBS.	CAN COVER UP TO 2" W x 7" H ROUTED HOLE.
2 1/8" x 2 3/4" GATE POCKET		
	DIMENSIONS: 2 1/8" x 2 3/4" x 4"	PART NUMBER: GP218X234 + W, T, A STOCK COLORS: WHITE, TAN, ADOBE
	BOX QTY: 42 BOX WEIGHT: 10 LBS.	
1 3/4" x 3 1/2" GATE POCKET		
	DIMENSIONS: 1 3/4" x 3 1/2" x 4"	PART NUMBER: GP17535X4 + W, T, A, MW, HM, EG, GT
	BOX QTY: 48 BOX WEIGHT: 18 LBS.	STOCK COLORS: WHITE, TAN, ADOBE, MOCHA WALNUT, HONEY MAPLE, EARL GRAY, GREEN TEAK
2" x 3 1/2" GATE POCKET		
	DIMENSIONS: 2" x 3 1/2" x 4"	PART NUMBER: GP235X4 + W, T, A STOCK COLORS: WHITE, TAN, ADOBE
	BOX QTY: 48 BOX WEIGHT: 22 LBS.	

Waymark is a registered trademark of Waymark Products, LLC.

END CAPS, HOLE PLUGS, GATE POCKETS

Gate Pockets

1 3/4" x 5 1/2" DECO GATE POCKET



DIMENSIONS: 1 3/4" x 5 1/2" x 4"

PART NUMBER: GP17555X4 + W, T, A,
MW, HM, EG, GT
STOCK COLORS: WHITE, TAN, ADOBE, MOCHA WALNUT,
HONEY MAPLE, EARL GRAY, GREEN TEAK

BOX QTY: 36
BOX WEIGHT: 17 LBS.

1 1/2" x 5 1/2" GATE POCKET



DIMENSIONS: 1 1/2" x 5 1/2" x 4"

PART NUMBER: GP1555X4 + W, T, A, MW
STOCK COLORS: WHITE, TAN, ADOBE, MOCHA WALNUT

BOX QTY: 40
BOX WEIGHT: 15 LBS.

2" x 6" GATE POCKET



DIMENSIONS: 2" x 6" x 4"

PART NUMBER: GP26X4 + W, T, A, MW,
STOCK COLORS: WHITE, TAN, ADOBE, MOCHA WALNUT

BOX QTY: 28
BOX WEIGHT: 18 LBS.

2" x 7" GATE POCKET



DIMENSIONS: 2" x 7" x 4"

PART NUMBER: GP27X4 + W, T, A,
MW, HM, EG, GT
STOCK COLORS: WHITE, TAN, ADOBE, MOCHA WALNUT,
HONEY MAPLE, EARL GRAY, GREEN TEAK

BOX QTY: 24
BOX WEIGHT: 15 LBS.

Waymark is a registered trademark of Waymark Products, LLC.

END CAPS, HOLE PLUGS, GATE POCKETS

Rail Mounts

1-1/2" x 5-1/2" INTERNAL RAIL MOUNT



DIMENSIONS: 1-1/2" x 5-1/2"

PART NUMBER: RM1555 + W, T, A
STOCK COLORS: WHITE, TAN, ADOBE

BOX QTY: 64
BOX WEIGHT: 9 LBS.

1-3/4" x 5-1/2" INTERNAL RAIL MOUNT



DIMENSIONS: 1-3/4" x 5-1/2"

PART NUMBER: RM17555 + W,T,A, MW
STOCK COLORS: WHITE, TAN, ADOBE, MOCHA WALNUT

BOX QTY: 64
BOX WEIGHT: 10 LBS.

2" x 3-1/2" INTERNAL RAIL MOUNT



DIMENSIONS: 2" x 3-1/2"

PART NUMBER: RM235 + W, T, A, MW
STOCK COLORS: WHITE, TAN, ADOBE, MOCHA WALNUT

BOX QTY: 78
BOX WEIGHT: 9 LBS.

2" x 6" INTERNAL RAIL MOUNT



DIMENSIONS: 2" x 6"

PART NUMBER: RM260 + W, T, A
STOCK COLORS: WHITE, TAN, ADOBE

BOX QTY: 64
BOX WEIGHT: 11 LBS.

ADJUSTABLE EXTERNAL RAIL MOUNT WITH SCREWS



As Shipped

Assembled

DIMENSIONS:
1-1/2" TO 2" WIDE AND
5-1/2" TO 7" TALL

BOX QTY: 36 BOX
WEIGHT: 12 LBS.

PART NUMBER: RMEADJ + W, T, A,
MW, HM, EG, GT
STOCK COLORS: WHITE, TAN, ADOBE, MOCHA WALNUT,
HONEY MAPLE, EARL GRAY, GREEN TEAK

ADJUSTS TO 1-1/2" , 1-3/4" OR 2" WIDE. TRIM COVERS HIDE FASTENERS. SET INCLUDES 12 STAINLESS STEEL SCREWS.

Waymark is a registered trademark of Waymark Products, LLC.

HOMELAND VINYL PRODUCTS, Inc.

18-067-M1116

Homeland Profiles: 800.999.6813 | www.Homelandvinyl.com | Waymark Accessories: 877-652-6118

GORILLA™ HARDWARE

Drop Rods, Corner Hinges, Self-Closing Corner Hinges

36" MILD STEEL DROP ROD



DIMENSIONS: 36" HEIGHT
DIAMETER: 1/2"

PART NUMBER: H36RODMS + W, B
STOCK COLORS: WHITE, BLACK

BOX QTY: 6
BOX WEIGHT: 14 LBS.

36" STAINLESS STEEL DROP ROD



DIMENSIONS: 36" HEIGHT
DIAMETER: 1/2"

PART NUMBER: H36RODSS + W, B
STOCK COLORS: WHITE, BLACK

BOX QTY: 6
BOX WEIGHT: 31 LBS.

MILD STEEL CORNER HINGE SET



DIMENSIONS: 3 1/2" x 3 7/16" H
LEG DIMENSIONS: 1 1/2"

PART NUMBER: HHNGMS + W, B
STOCK COLORS: WHITE, BLACK

BOX QTY: 12 SETS
BOX WEIGHT: 34 LBS.

STAINLESS STEEL CORNER HINGE SET



DIMENSIONS: 3 1/2" x 3 7/16" H
LEG DIMENSIONS: 1 1/2"

PART NUMBER: HHNGSS + W, B
STOCK COLORS: WHITE, BLACK

BOX QTY: 12 SETS
BOX WEIGHT: 37 LBS.

Gorilla™ is a trademark of Homeland Vinyl Products, Inc. Waymark is a registered trademark of Waymark Products, LLC.

GORILLA™ HARDWARE

Self-Closing Corner Hinges & U-Hinge Sets

CORNER HINGE HEX ADJUST SELF-CLOSING STAINLESS STEEL



DIMENSIONS:
 Post side: 3-1/4"W x 4"H, Leg is 1-1/4" x 4"H
 Gate Side: 3-1/16"W x 4"H, Leg is 1-1/4" x 4"H
BOX QTY: 12 SETS
BOX WEIGHT: 46 LBS.

PART NUMBER: HXSCSSB - BLACK
HXSCSSW - WHITE
STOCK COLORS: WHITE, BLACK
 EASILY ADJUSTABLE TENSION USING 3/8" ALLEN
 WRENCH INCLUDED 1-1/2" X 6-1/2"

2" U-HINGE HEX ADJUST SELF-CLOSING STAINLESS STEEL



DIMENSIONS:
 Post side: 3-1/4"W x 4" H,
 Leg is 1-1/2"W x 4"H
 U for Gate: 1-5/8" W x 2" D x 1-1/2"W x 4"H
BOX QTY: 12 SETS
BOX WEIGHT: 37 LBS.

PART NUMBER: H2UXSCSSB - BLACK
H2UXSCSSW - WHITE
STOCK COLORS: WHITE, BLACK
 EASILY ADJUSTABLE TENSION USING 3/8" ALLEN
 WRENCH INCLUDED 1-1/2" X 6-1/2"

CORNER HINGE HEX ADJUST SELF-CLOSING MILD STEEL



DIMENSIONS:
 Post side: 3-1/4"W x 4"H, Leg is 1-1/4" x 4"H
 Gate Side: 3-1/16"W x 4"H, Leg is 1-1/4" x 4"H
BOX QTY: 12 SETS
BOX WEIGHT: 46 LBS.

PART NUMBER: HXSCMSB - BLACK
HXSCMSW - WHITE
STOCK COLORS: WHITE, BLACK
 EASILY ADJUSTABLE TENSION USING 3/8" ALLEN
 WRENCH INCLUDED 1-1/2" X 6-1/2"

2" U-HINGE HEX ADJUST SELF-CLOSING MILD STEEL



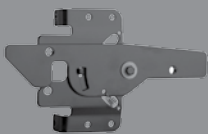
DIMENSIONS:
 Post side: 3-1/4"W x 4" H,
 Leg is 1-1/2"W x 4"H
 U for Gate: 1-5/8" W x 2" D x 1-1/2"W x 4"H
BOX QTY: 12 SETS
BOX WEIGHT: 37 LBS.

PART NUMBER: H2UXSCMSB - BLACK
H2UXSCMSW - WHITE
STOCK COLORS: WHITE, BLACK
 EASILY ADJUSTABLE TENSION USING 3/8" ALLEN
 WRENCH INCLUDED 1-1/2" X 6-1/2"

GORILLA™ HARDWARE

Paddle Latches

LARGE MILD STEEL PADDLE LATCH



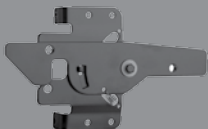
DIMENSIONS: 10 1/4" x 5 5/8" H
LEG DIMENSIONS: 1 1/4"

PART NUMBER: HLRGPADMS + W, B
STOCK COLORS: WHITE, BLACK

BOX QTY: 12
BOX WEIGHT: 14 LBS.

LATCH IS REVERSIBLE

LARGE STAINLESS STEEL PADDLE LATCH



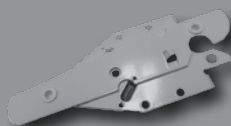
DIMENSIONS: 10 1/4" x 5 5/8" H
LEG DIMENSIONS: 1 1/4"

PART NUMBER: HLRGPADSS + W, B
STOCK COLORS: WHITE, BLACK

BOX QTY: 12
BOX WEIGHT: 25 LBS.

LATCH IS REVERSIBLE

REINFORCED MILD STEEL PADDLE LATCH



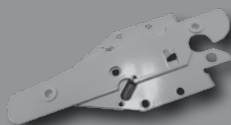
DIMENSIONS: 8 3/4" x 3 1/2" H
LEG DIMENSIONS: 15/16"

PART NUMBER: HRIFPADMS+ W, B
STOCK COLORS: WHITE, BLACK

BOX QTY: 12
BOX WEIGHT: 19 LBS.

LATCH IS REVERSIBLE
REINFORCED PIVOT POINT

REINFORCED STAINLESS STEEL PADDLE LATCH



DIMENSIONS: 8 3/4" x 3 1/2" H
LEG DIMENSIONS: 15/16"

PART NUMBER: HRIFPADSS + W, B
STOCK COLORS: WHITE, BLACK

BOX QTY: 12
BOX WEIGHT: 19 LBS.

LATCH IS REVERSIBLE
REINFORCED PIVOT POINT

SMALL ALUMINUM PADDLE LATCH



DIMENSIONS: 2-1/2" x 4 3/16" H
LEG DIMENSIONS: 7/8"

PART NUMBER: HSMLPADA + W, B
STOCK COLORS: WHITE, BLACK

BOX QTY: 12
BOX WEIGHT: 10 LBS.

MAIN USE FOR PICKET AND DOUBLE DRIVE GATES
LATCH IS REVERSIBLE

SMALL STAINLESS STEEL PADDLE LATCH



DIMENSIONS: 2-1/2" x 4 3/16" H
LEG DIMENSIONS: 7/8"

PART NUMBER: HSMLPADSS+ W, B
STOCK COLORS: WHITE, BLACK

BOX QTY: 12
BOX WEIGHT: 16 LBS.

MAIN USE FOR PICKET AND DOUBLE DRIVE GATES
LATCH IS REVERSIBLE

PERFECT FIT & MATCH • PERFECT FIT & MATCH • PERFECT FIT & MATCH •
• PERFECT FIT & MATCH • PERFECT FIT & MATCH • PERFECT FIT & M
& MATCH • PERFECT FIT & MATCH • PERFECT FIT & MATCH • PERFE
PERFECT FIT & MATCH • PERFECT FIT & MATCH • PERFECT FIT & MATC
PERFECT FIT & MATCH • PERFECT FIT & MATCH • PERFECT FIT & MATCH
• PERFECT FIT & MATCH • PERFECT FIT & MATCH • PERFECT FIT & M
& MATCH • PERFECT FIT & MATCH • PERFECT FIT & MATCH • PERFE



GORILLA™ GUARD RAIL PROFILES & ACCESSORIES



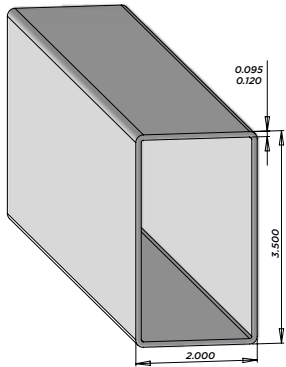
Gorilla™ is a trademark of Homeland Vinyl Products, Inc.



2"x3-1/2" & Deck-Over Rail System



See ESR-1657 report for detailed applications. Check local building codes in your area.



W=White, T=Tan, D=Adobe

2" X 3-1/2" HOLLOW UTILITY RAIL

P42, 46, 66

F24E (0.095 Wall)
2"x3-1/2" Hollow Utility Rail
Pcs/Pallet: 143
AL - 6', 94", 8', 10', 16', 24'
NJ - 6', 94", 8', 10', 16' *
UT - 8', 12', 16'

F24C (0.120 Wall)
2"x3-1/2" Hollow Standard Rail
Pcs/Pallet: 143
AL - 6', 8', 16', 24'
UT - 6', 8', 12', 16'

HOMELAND OPTION F24E ONLY
O=Mocha Walnut, Y=Honey Maple,
Q=Earl Gray, U=Green Teak

F24E (0.095 Wall)
2"x3-1/2" Hollow Utility Rail
Pcs/Pallet: 143
AL - 16'
UT - 16' - Honey Maple Only

TOP RAIL & BOTTOM RAIL

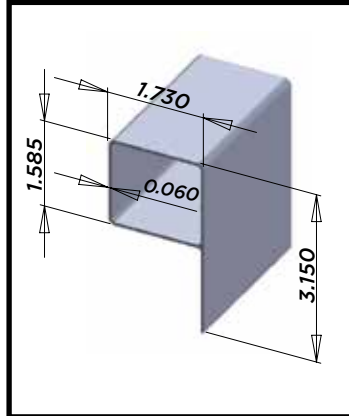
Availability and profile dimensions are subject to change without notice. Check with manufacturer before ordering.

All dimensions are subject to manufacturer's tolerances.

*Limited availability, Check with customer service.

GORILLA™ GUARD RAIL

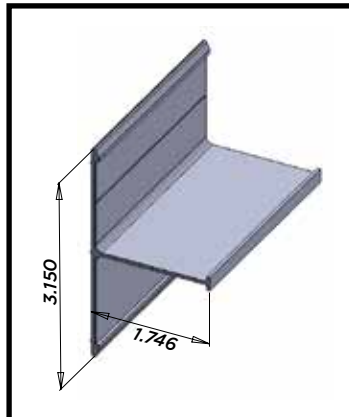
SUMMIT® 2x3-1/2 & DECK-OVER SYSTEM



2" X 3-1/2" & T-RAIL P43 , 47, 120

G24PA288-69227
2" x 3-1/2" & T-Rail
24' Lengths
120 Pieces per Bundle

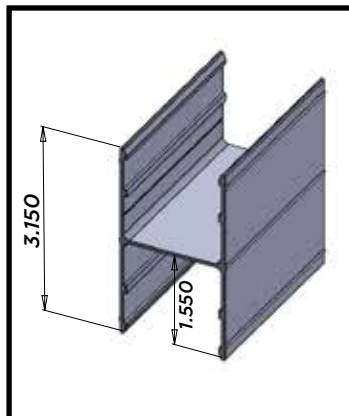
Used with:
Rectangular Guard Rail
T-Rail, Contour and
Deck-over Guard Rail



T-BOTTOM RAIL P43 , 47, 121

G24TA096-55028
T-Bottom Rail
72", 96" Lengths
For bottom rail only
120 Pieces per Bundle

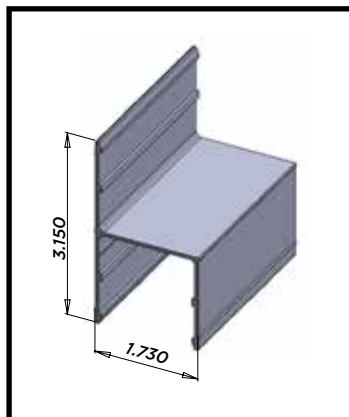
Used with:
Residential Guard Rail Systems
Bottom Rail Only



H-RAIL - ALUMINUM INSERT P43 , 47, 121

G24HA096-55026
H-Rail
96" Lengths
For top rail only
120 Pieces per Bundle

Used with:
Residential Guard Rail
T-Rail Only (8' Spans)



SMALL H - ALUMINUM INSERT P43 , 47, 121

G24hA072-55027
Small h
72" Lengths
For top rail only
120 Pieces per Bundle

Used with:
Most Residential Guard Rail
(6' Spans)
Not Deck-over Guard Rail

Availability and profile dimensions are subject to change without notice. Check with manufacturer before ordering.
 All dimensions are subject to manufacturer's tolerances. Gorilla™ is a trademark of Homeland Vinyl Products, Inc. Summit is an registered trademark of Waymark Products, LLC.

GORILLA™ GUARD RAIL SUMMIT® 2x3-1/2 & DECK-OVER SYSTEM

2" x 3-1/2" SUMMIT® RAIL BRACKET

P44, 48



INSIDE DIMENSIONS: 2" x 3 1/2"
INSIDE CORNER RADIUS: 0.125"
OVERALL DIMENSIONS: 3.745" x 5.20"

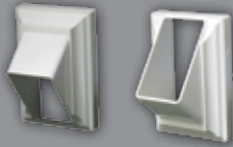
BOX QTY: 24 KITS (2 PER KIT)
BOX WEIGHT: 16 LBS.

PART NUMBER: BL235S + W, T, A,
MW, HM, EG, GT
STOCK COLORS: WHITE, TAN, ADOBE, MOCHA WALNUT,
HONEY MAPLE, EARL GRAY, GREEN TEAK

BASE, TRIM COVERS AND SCREWS INCLUDED

2" x 3-1/2" SUMMIT® STAIR BRACKET

P44, 48



INSIDE DIMENSIONS: 2" x 3 1/2"
INSIDE CORNER RADIUS: 0.125"
OVERALL DIMENSIONS: 3.745" x 5.20"

BOX QTY: 24 KITS (2 PER KIT)
BOX WEIGHT: 16 LBS.

PART NUMBER: BS235S + W, T, A,
MW, HM, EG, GT
STOCK COLORS: WHITE, TAN, ADOBE, MOCHA WALNUT,
HONEY MAPLE, EARL GRAY, GREEN TEAK

BASE, TRIM COVERS AND SCREWS INCLUDED
DEGREE OF ANGLE: 31-38 DEGREES

REPLACEMENT SUMMIT® 2" x 3-1/2" BRACKET TRIM COVER



FOR BRACKET PART#:BL235S

BOX QTY: 20
BOX WEIGHT: 2 LBS.

PART NUMBER: BRC235S + W, T, A, MW
STOCK COLORS: WHITE, TAN, ADOBE, MOCHA WALNUT
CUSTOM COLORS AVAILABLE: YES

COVERS ONLY FOR REPAIR/REPLACEMENT OF
LOST OR DAMAGED BRACKET COVERS

REPLACEMENT SUMMIT® 2" x 3-1/2" STAIR BRACKET TRIM COVER



FOR BRACKET PART#:BS235S

BOX QTY: 20
BOX WEIGHT: 2 LBS.

PART NUMBER: BSC235S + W, T, A, MW
STOCK COLORS: WHITE, TAN, ADOBE, MOCHA WALNUT
CUSTOM COLORS AVAILABLE: YES

COVERS ONLY FOR REPAIR/REPLACEMENT OF
LOST OR DAMAGED BRACKET COVERS

22 1/2 DEGREE SUMMIT® ADAPTER

P45, 48



DIMENSIONS: 3 15/16" x 5 3/8" H

BOX QTY: 10 KITS (2 PER KIT)
BOX WEIGHT: 5.5 LBS.

PART NUMBER: BA225S + W, T, A,
MW, HM, EG, GT
STOCK COLORS: WHITE, TAN, ADOBE, MOCHA WALNUT,
HONEY MAPLE, EARL GRAY, GREEN TEAK

WORKS WITH BOTH STRAIGHT AND STAIR
BRACKETS.

45 DEGREE SUMMIT® ADAPTER

P45, 48



DIMENSIONS: 3 15/16" x 5 3/8" H
Fits 6" to 10"

BOX QTY: 10 KITS (2 PER KIT)
BOX WEIGHT: 8.3 LBS.

PART NUMBER: BA45S + W, T, A,
MW, HM, EG, GT
STOCK COLORS: WHITE, TAN, ADOBE, MOCHA WALNUT,
HONEY MAPLE, EARL GRAY, GREEN TEAK

WORKS WITH BOTH STRAIGHT AND STAIR
BRACKETS.

8" SUMMIT® COLUMN ADAPTER

P45, 48



DIMENSIONS: 3 15/16" x 5 3/8" H


BOX QTY: 10 KITS (2 PER KIT)
BOX WEIGHT: 4 LBS.

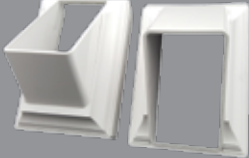
PART NUMBER: BA8CS + W, T, A
STOCK COLORS: WHITE, TAN, ADOBE


WORKS WITH BOTH STRAIGHT AND STAIR
BRACKETS.


Gorilla™ is a trademark of Homeland Vinyl Products, Inc. Waymark is a registered trademark of Waymark Products, LLC. Summit is a registered trademark of Waymark Products, LLC.


GORILLA™ GUARD RAIL SUMMIT® 2x3-1/2 & DECK-OVER SYSTEM


DECK-OVER SUMMIT® BRACKET		
	INSIDE DIMENSIONS: 2" x 3 1/2" INSIDE CORNER RADIUS: 0.125" OVERALL DIMENSIONS: 3.745" x 4.479"	PART NUMBER: BLDOVS + W, T, A, MW, HM, EG, GT STOCK COLORS: WHITE, TAN, ADOBE, MOCHA WALNUT, HONEY MAPLE, EARL GRAY, GREEN TEAK BASE, TRIM COVERS AND SCREWS INCLUDED. DECK RAIL ATTACHMENT KIT SOLD SEPARATELY
	BOX QTY: 24 KITS (2 PER KIT) BOX WEIGHT: 16 LBS.	


DECK-OVER SUMMIT® STAIR BRACKET		
	INSIDE DIMENSIONS: 2" x 3 1/2" INSIDE CORNER RADIUS: 0.125" OVERALL DIMENSIONS: 3.745" x 5.20"	PART NUMBER: BS235SDO + W, T, A, MW, HM, EG, GT STOCK COLORS: WHITE, TAN, ADOBE, MOCHA WALNUT, HONEY MAPLE, EARL GRAY, GREEN TEAK BASE, TRIM COVERS AND SCREWS INCLUDED DEGREE OF ANGLE: 34 DEGREES
	BOX QTY: 24 KITS (2 PER KIT) BOX WEIGHT: 16 LBS.	

SUMMIT® DECK BOARD RAILING ATTACHMENT KIT		
	DIMENSIONS: 3.5" x 1 1/4" H CONTAINS: 2 BRACKETS AND 8 SS SCREWS	PART NUMBER: B35DBRD USE WITH SUMMIT DECK-OVER BRACKETS.
	BOX QTY: 50 KITS (2 PER KIT) BOX WEIGHT: 7 LBS.	

DECK-OVER SUMMIT® FIELD CUT ADAPTER		
	INSIDE DIMENSIONS: 2" x 3 1/2" INSIDE CORNER RADIUS: 0.125" OVERALL DIMENSIONS: 4.5" x 3-23/32" x 3-5/8"	PART NUMBER: BAFCDV + W,T,A STOCK COLORS: WHITE, TAN, ADOBE CUSTOM FIELD CUT FOR STAIR APPLICATIONS. USE WITH SUMMIT DECK-OVER BRACKETS NO SCREWS INCLUDED
	BOX QTY: 10 KITS (2 PER KIT) BOX WEIGHT: 21 LBS.	

22 1/2 DEGREE DECK-OVER SUMMIT® ADAPTER		
	DIMENSIONS: 4.5" x 3-23/32" x 1-1/2"	PART NUMBER: BA225DOV + W, T, A STOCK COLORS: WHITE, TAN, ADOBE
	BOX QTY: 10 KITS (2 PER KIT) BOX WEIGHT: 5.5 LBS.	WORKS WITH DECK-OVER AND FIELD CUT BRACKETS.

45 DEGREE DECK-OVER SUMMIT® ADAPTER		
	DIMENSIONS: 4.5" x 3-23/32" x 2-1/8" Fits 6" to 10"	PART NUMBER: BA45DOV + W, T, A STOCK COLORS: WHITE, TAN, ADOBE
	BOX QTY: 10 KITS (2 PER KIT) BOX WEIGHT: 6 LBS.	WORKS WITH DECK-OVER AND FIELD CUT BRACKETS.

8" SUMMIT® DECK-OVER COLUMN ADAPTER		
	DIMENSIONS: 4.5" x 3-23/32" x 21/32"	PART NUMBER: BA8CDOV + W, T, A STOCK COLORS: WHITE, TAN, ADOBE
	BOX QTY: 10 KITS (2 PER KIT) BOX WEIGHT: 4 LBS.	WORKS WITH DECK-OVER AND FIELD CUT BRACKETS.

Gorilla™ is a trademark of Homeland Vinyl Products, Inc. Waymark is a registered trademark of Waymark Products, LLC. Summit is an registered trademark of Waymark Products, LLC.

Summit® T-Rail System



See ESR-1657 report for detailed applications. Check local building codes in your area.

W=White, T=Tan, D=Adobe

3-1/2" GORILLA® T-RAIL

F35C (0.090 wall)
3-1/2" Gorilla® T-Rail
Pcs/Pallet: 90
AL - 6', 8', 10', 16'

HOMEWOOD OPTION F35C ONLY

O=Mocha Walnut, Y=Honey Maple,
 Q=Earl Gray, U=Green Teak

F35C - (0.095 wall)
3-1/2" Gorilla® T-Rail
Pcs/Pallet: 90
AL - 16'

TOP RAIL

W=White, T=Tan, D=Adobe

2" X 3-1/2" HOLLOW UTILITY RAIL

F24E (0.095 Wall)
2"x3-1/2" Hollow Utility Rail
Pcs/Pallet: 143
AL - 6', 94", 8', 10', 16', 24'
NJ - 6', 94", 8', 10', 16' *
UT - 8', 12', 16'

HOMEWOOD OPTION F24E ONLY

O=Mocha Walnut, Y=Honey Maple,
 Q=Earl Gray, U=Green Teak

F24E (0.095 Wall)
2"x3-1/2" Hollow Utility Rail
Pcs/Pallet: 143
AL - 16'
UT - 16' - Honey Maple Only

F24C (0.120 Wall)
2"x3-1/2" Hollow Standard Rail
Pcs/Pallet: 143
AL - 6', 8', 16', 24'

UT - 6', 8', 12', 16'

TOP RAIL & BOTTOM RAIL

Availability and profile dimensions are subject to change without notice. Check with manufacturer before ordering.

All dimensions are subject to manufacturer's tolerances. *Limited availability, Check with customer service.

Gorilla® is a registered trademark of Homeland Vinyl Products, Inc. Summit is an registered trademark of Waymark Products, LLC.

GORILLA™ GUARD RAIL SUMMIT® T-RAIL SYSTEM

	<p>2" X 3-1/2" & T-RAIL P39, 47, 120</p> <p>G24PA288-69227 2" x 3-1/2" & T-Rail</p> <p>24' Lengths 120 Pieces per Bundle</p> <p style="text-align: right;">Used with: Rectangular Guard Rail T-Rail, Contour and Deck-over Guard Rail</p>
--	--

	<p>T-BOTTOM RAIL P39, 47, 121</p> <p>G24TA096-55028 T-Bottom Rail</p> <p>72", 96" Lengths For bottom rail only 120 Pieces per Bundle</p> <p style="text-align: right;">Used with: Residential Guard Rail Systems Bottom Rail Only</p>
--	--

	<p>H-RAIL - ALUMINUM INSERT P39, 47, 121</p> <p>G24HA096-55026 H-Rail</p> <p>96" Lengths For top rail only 120 Pieces per Bundle</p> <p style="text-align: right;">Used with: Residential Guard Rail T-Rail Only (8' Spans)</p>
--	--

	<p>SMALL H - ALUMINUM INSERT P39, 47, 121</p> <p>G24hA072-55027 Small h</p> <p>72" Lengths For top rail only 120 Pieces per Bundle</p> <p style="text-align: right;">Used with: Most Residential Guard Rail (6' Spans) Not Deck-over Guard Rail</p>
--	---


Availability and profile dimensions are subject to change without notice. Check with manufacturer before ordering.
All dimensions are subject to manufacturer's tolerances. Gorilla™ is a trademark of Homeland Vinyl Products, Inc. Summit is an registered trademark of Waymark Products, LLC.


HOMELAND VINYL PRODUCTS, Inc.


18-067-M1116


Homeland Profiles: 800.999.6813 | www.Homelandvinyl.com | Waymark Accessories: 877-652-6118


GORILLA™ GUARD RAIL SUMMIT® T-RAIL SYSTEM

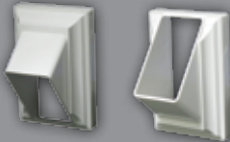
T-RAIL SUMMIT® BRACKET		
	<p>INSIDE DIMENSIONS: 3 1/2" x 3 1/2" OVERALL DIMENSIONS: 3.745" x 5.20"</p> <p>BOX QTY: 24 KITS (2 PER KIT) BOX WEIGHT: 16 LBS.</p>	<p>PART NUMBER: BLTRLS + W, T, A, MW, HM, EG, GT</p> <p>STOCK COLORS: WHITE, TAN, ADOBE, MOCHA WALNUT, HONEY MAPLE, EARL GRAY, GREEN TEAK</p> <p>BASE, TRIM COVERS AND SCREWS INCLUDED</p>

T-RAIL SUMMIT® STAIR BRACKET		
	<p>INSIDE DIMENSIONS: 3 1/2" x 3 1/2" OVERALL DIMENSIONS: 3.745" x 5.20"</p> <p>BOX QTY: 24 KITS (2 PER KIT) BOX WEIGHT: 18 LBS.</p>	<p>PART NUMBER: BSTRLS + W, T, A, MW, HM, EG, GT</p> <p>STOCK COLORS: WHITE, TAN, ADOBE, MOCHA WALNUT, HONEY MAPLE, EARL GRAY, GREEN TEAK</p> <p>BASE, TRIM COVERS AND SCREWS INCLUDED DEGREE OF ANGLE: 31-38 DEGREES</p>

REPLACEMENT SUMMIT® T-RAIL BRACKET TRIM COVER		
	<p>FOR BRACKET PART#:BLTRLS</p> <p>BOX QTY: 20 BOX WEIGHT: 2 LBS.</p>	<p>PART NUMBER: BRCTRLS + W, T, A, MW</p> <p>STOCK COLORS: WHITE, TAN, ADOBE, MOCHA WALNUT CUSTOM COLORS AVAILABLE: YES</p> <p>COVERS ONLY FOR REPAIR/REPLACEMENT OF LOST OR DAMAGED BRACKET COVERS</p>




REPLACEMENT SUMMIT® T-RAIL STAIR BRACKET TRIM COVER		
	<p>FOR BRACKET PART#:BSTRLS</p> <p>BOX QTY: 20 BOX WEIGHT: 2 LBS.</p>	<p>PART NUMBER: BSCTRLS + W, T, A, MW</p> <p>STOCK COLORS: WHITE, TAN, ADOBE, MOCHA WALNUT CUSTOM COLORS AVAILABLE: YES</p> <p>COVERS ONLY FOR REPAIR/REPLACEMENT OF LOST OR DAMAGED BRACKET COVERS</p>

2" x 3 1/2" SUMMIT® RAIL BRACKET		P40, 48
	<p>INSIDE DIMENSIONS: 2" x 3 1/2" INSIDE CORNER RADIUS: 0.125" OVERALL DIMENSIONS: 3.745" x 5.20"</p> <p>BOX QTY: 24 KITS (2 PER KIT) BOX WEIGHT: 16 LBS.</p>	<p>PART NUMBER: BL235S + W, T, A, MW, HM, EG, GT</p> <p>STOCK COLORS: WHITE, TAN, ADOBE, MOCHA WALNUT, HONEY MAPLE, EARL GRAY, GREEN TEAK</p> <p>BASE, TRIM COVERS AND SCREWS INCLUDED</p>

2" x 3 1/2" SUMMIT® STAIR BRACKET		P40, 48
	<p>INSIDE DIMENSIONS: 2" x 3 1/2" INSIDE CORNER RADIUS: 0.125" OVERALL DIMENSIONS: 3.745" x 5.20"</p> <p>BOX QTY: 24 KITS (2 PER KIT) BOX WEIGHT: 16 LBS.</p>	<p>PART NUMBER: BS235S + W, T, A, MW, HM, EG, GT</p> <p>STOCK COLORS: WHITE, TAN, ADOBE, MOCHA WALNUT, HONEY MAPLE, EARL GRAY, GREEN TEAK</p> <p>BASE, TRIM COVERS AND SCREWS INCLUDED DEGREE OF ANGLE: 31-38 DEGREES</p>

Gorilla™ is a trademark of Homeland Vinyl Products, Inc. Waymark is a registered trademark of Waymark Products, LLC.
Summit is an registered trademark of Waymark Products, LLC.

GORILLA™ GUARD RAIL SUMMIT® T-RAIL SYSTEM

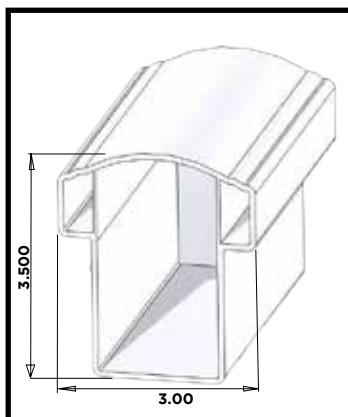
22 1/2 DEGREE SUMMIT® ADAPTER		P40, 48
	<p>DIMENSIONS: 3 15/16" x 5 3/8" H</p> <p>BOX QTY: 10 KITS (2 PER KIT) BOX WEIGHT: 5.5 LBS.</p>	<p>PART NUMBER: BA225S + W, T, A, MW, HM, EG, GT</p> <p>STOCK COLORS: WHITE, TAN, ADOBE, MOCHA WALNUT, HONEY MAPLE, EARL GRAY, GREEN TEAK</p> <p>WORKS WITH BOTH STRAIGHT AND STAIR BRACKETS.</p>
	45 DEGREE SUMMIT® ADAPTER	
	<p>DIMENSIONS: 3 15/16" x 5 3/8" H Fits 6" to 10"</p> <p>BOX QTY: 10 KITS (2 PER KIT) BOX WEIGHT: 8.3 LBS.</p>	<p>PART NUMBER: BA45S + W, T, A, MW, HM, EG, GT</p> <p>STOCK COLORS: WHITE, TAN, ADOBE, MOCHA WALNUT, HONEY MAPLE, EARL GRAY, GREEN TEAK</p> <p>WORKS WITH BOTH STRAIGHT AND STAIR BRACKETS.</p>
	8" SUMMIT® COLUMN ADAPTER	
	<p>DIMENSIONS: 3 15/16" x 5 3/8" H</p> <p>BOX QTY: 10 KITS (2 PER KIT) BOX WEIGHT: 4 LBS.</p>	<p>PART NUMBER: BA8CS + W, T, A</p> <p>STOCK COLORS: WHITE, TAN, ADOBE</p> <p>WORKS WITH BOTH STRAIGHT AND STAIR BRACKETS.</p>

Gorilla™ is a trademark of Homeland Vinyl Products, Inc. Waymark is a registered trademark of Waymark Products, LLC.
Summit is an registered trademark of Waymark Products, LLC.

Contour Rail System



See ESR-1657 report for detailed applications. Check local building codes in your area.

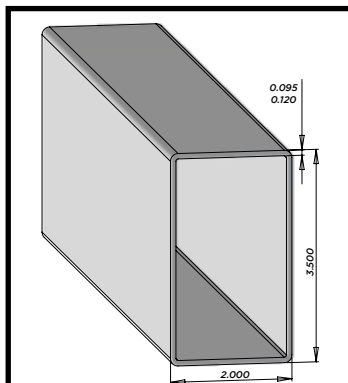


3" CONTOUR RAIL

F36S (0.095 wall)
3" Contour Rail
Pcs/Pallet: 102
AL - 10', 24'

W=White, T=Tan, D=Adobe

TOP RAIL



W=White, T=Tan, D=Adobe

2" X 3-1/2" HOLLOW UTILITY RAIL

P38, 42, 66

F24E (0.095 Wall)
2"x3-1/2" Hollow Utility Rail
Pcs/Pallet: 143
AL - 6', 94", 8', 10', 16', 24'
NJ - 6', 94", 8', 10', 16' *
UT - 8', 12', 16'

HOMEWOOD OPTION F24E ONLY
O=Mocha Walnut, Y=Honey Maple,
Q=Earl Gray, U=Green Teak

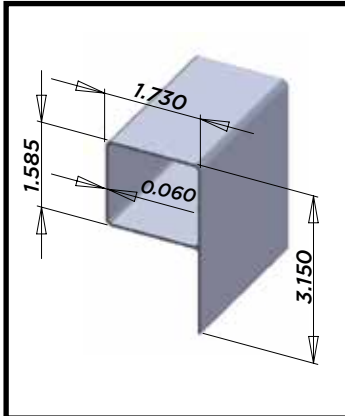
F24E (0.095 Wall)
2"x3-1/2" Hollow Utility Rail
Pcs/Pallet: 143
AL - 16'
UT - 16' - Honey Maple Only

F24C (0.120 Wall)
2"x3-1/2" Hollow Standard Rail
Pcs/Pallet: 143
AL - 6', 8', 16', 24'
UT - 6', 8', 12', 16'

TOP RAIL & BOTTOM RAIL

Availability and profile dimensions are subject to change without notice. Check with manufacturer before ordering.
 All dimensions are subject to manufacturer's tolerances.
 *Limited availability, Check with customer service.

GORILLA™ GUARD RAIL CONTOUR RAIL SYSTEM

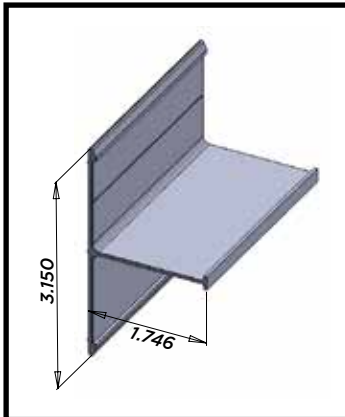


2" X 3-1/2" & T-RAIL P39, 43, 120

G24PA288-69227
2" x 3-1/2" & T-Rail

24' Lengths
120 Pieces per Bundle

Used with:
Rectangular Guard Rail
T-Rail, Contour and
Deck-over Guard Rail

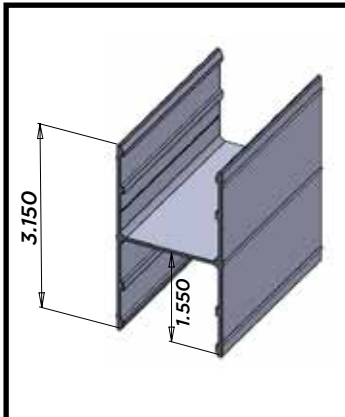


T-BOTTOM RAIL P39, 43, 121

G24TA096-55028
T-Bottom Rail

72", 96" Lengths
For bottom rail only
120 Pieces per Bundle

Used with:
Residential Guard Rail Systems
Bottom Rail Only

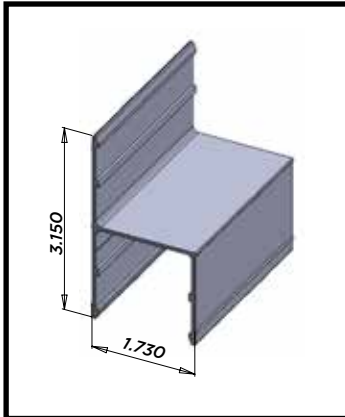


H-RAIL - ALUMINUM INSERT P39, 43, 121

G24HA096-55026
H-Rail

96" Lengths
For top rail only
120 Pieces per Bundle

Used with:
Residential Guard Rail
T-Rail Only (8' Spans)



SMALL H - ALUMINUM INSERT P39, 43, 121

G24hA072-55027
Small h

72" Lengths
For top rail only
120 Pieces per Bundle

Used with:
Most Residential Guard Rail
(6' Spans)
Not Deck-over Guard Rail

Availability and profile dimensions are subject to change without notice. Check with manufacturer before ordering.
All dimensions are subject to manufacturer's tolerances. Gorilla™ is a trademark of Homeland Vinyl Products, Inc.

GORILLA™ GUARD RAIL CONTOUR RAIL SYSTEM

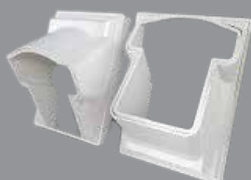
CONTOUR SUMMIT® BRACKET



INSIDE DIMENSIONS: 3 x 3 1/2"
OVERALL DIMENSIONS: 3.745" x 5.20"
FITS HOMELAND VINYL PRODUCTS CONTOUR RAIL
BOX QTY: 24 KITS (2 PER KIT)
BOX WEIGHT: 16 LBS.

PART NUMBER: BLCONS + W, T, A
STOCK COLORS: WHITE, TAN, ADOBE
BASE, TRIM COVERS AND SCREWS INCLUDED

CONTOUR SUMMIT® STAIR BRACKET



INSIDE DIMENSIONS: 3 x 3 1/2"
OVERALL DIMENSIONS: 3.745" x 5.20"
FITS HOMELAND VINYL PRODUCTS CONTOUR RAIL
BOX QTY: 24 KITS (2 PER KIT)
BOX WEIGHT: 18 LBS.

PART NUMBER: BSCONS + W, T, A
STOCK COLORS: WHITE, TAN, ADOBE
BASE, TRIM COVERS AND SCREWS INCLUDED
DEGREE OF ANGLE: 31-38 DEGREES

2" x 3 1/2" SUMMIT® RAIL BRACKET

P40, 44



INSIDE DIMENSIONS: 2" x 3 1/2"
INSIDE CORNER RADIUS: 0.125"
OVERALL DIMENSIONS: 3.745" x 5.20"
BOX QTY: 24 KITS (2 PER KIT)
BOX WEIGHT: 16 LBS.

PART NUMBER: BL235S + W, T, A,
MW, HM, EG, GT
STOCK COLORS: WHITE, TAN, ADOBE, MOCHA WALNUT,
HONEY MAPLE, EARL GRAY, GREEN TEAK
BASE, TRIM COVERS AND SCREWS INCLUDED

2" x 3 1/2" SUMMIT® STAIR BRACKET

P40, 44



INSIDE DIMENSIONS: 2" x 3 1/2"
INSIDE CORNER RADIUS: 0.125"
OVERALL DIMENSIONS: 3.745" x 5.20"
BOX QTY: 24 KITS (2 PER KIT)
BOX WEIGHT: 16 LBS.

PART NUMBER: BS235S + W, T, A,
MW, HM, EG, GT
STOCK COLORS: WHITE, TAN, ADOBE, MOCHA WALNUT,
HONEY MAPLE, EARL GRAY, GREEN TEAK
BASE, TRIM COVERS AND SCREWS INCLUDED
DEGREE OF ANGLE: 31-38 DEGREES

22 1/2 DEGREE SUMMIT® ADAPTER

P40, 45



DIMENSIONS: 3 15/16" x 5 3/8" H
BOX QTY: 10 KITS (2 PER KIT)
BOX WEIGHT: 5.5 LBS.

PART NUMBER: BA225S + W, T, A,
MW, HM, EG, GT
STOCK COLORS: WHITE, TAN, ADOBE, MOCHA WALNUT,
HONEY MAPLE, EARL GRAY, GREEN TEAK
WORKS WITH BOTH STRAIGHT AND STAIR BRACKETS.

45 DEGREE SUMMIT® ADAPTER

P40, 45



DIMENSIONS: 3 15/16" x 5 3/8" H
Fits 6" to 10"
BOX QTY: 10 KITS (2 PER KIT)
BOX WEIGHT: 8.3 LBS.

PART NUMBER: BA45S + W, T, A,
MW, HM, EG, GT
STOCK COLORS: WHITE, TAN, ADOBE, MOCHA WALNUT,
HONEY MAPLE, EARL GRAY, GREEN TEAK
WORKS WITH BOTH STRAIGHT AND STAIR BRACKETS.

8" SUMMIT® COLUMN ADAPTER

P40, 45



DIMENSIONS: 3 15/16" x 5 3/8" H
BOX QTY: 10 KITS (2 PER KIT)
BOX WEIGHT: 4 LBS.

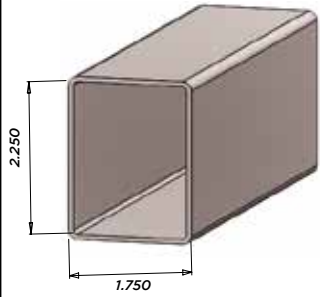
PART NUMBER: BA8CS + W, T, A
STOCK COLORS: WHITE, TAN, ADOBE
WORKS WITH BOTH STRAIGHT AND STAIR BRACKETS.

Gorilla™ is a trademark of Homeland Vinyl Products, Inc. Waymark is a registered trademark of Waymark Products, LLC.
Summit is an registered trademark of Waymark Products, LLC.

1-3/4" x 2-1/4" Nexus® Rail System



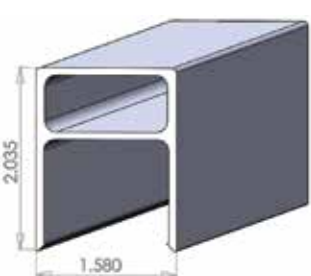
See ESR-1657 report for detailed applications. Check local building codes in your area.

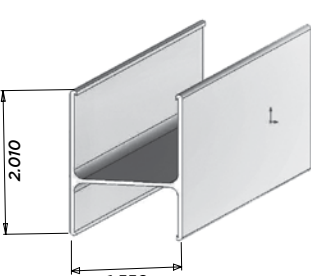
	1-3/4" X 2-1/4" NEXUS® RAIL	P51, 54
	F3PB (0.065 wall) 1-3/4" x 2-1/4" Nexus® Rail Pcs/Pallet: 216 AL - 71-3/8", 95-3/8", 119-3/8"	BOTTOM RAIL
	W=White, T=Tan, D=Adobe	


Availability and profile dimensions are subject to change without notice. Check with manufacturer before ordering. All dimensions are subject to manufacturer's tolerances. Nexus® is a registered trademark of Homeland Vinyl Products, Inc.


GORILLA™ GUARD RAIL

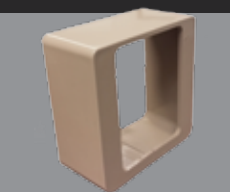
NEXUS® RAIL SYSTEM


	1-3/4" NEXUS® 2 T-RAIL - ALUMINUM "A" INSERT P55		TOP RAIL
	GMXZY 1-3/4" Nexus® 2 T-Rail Aluminum "A" Insert Pcs/Pallet: 216 AL - 71-3/8", 95-3/8", 119-3/8"		

	1-3/4" X 2-1/4" NEXUS® BOTTOM ALUMINUM INSERT P52, 55		BOTTOM RAIL
	GMB 1-3/4" x 2-1/4" Nexus® Bottom Aluminum Insert Pcs/Pallet: 216 AL - 71-3/8", 95-3/8", 119-3/8"		
Used with: Nexus 1 and Nexus 2 Bottom Rail			

NEXUS® RAILING ALUMINUM MOUNTING BRACKET KIT P52, 56		
	OVERALL DIMENSIONS: 2-1/4" x 1-7/8" x 1-1/8"	PART NUMBER: FC3408
	BOX QTY: 54 KITS BOX WEIGHT: 36 LBS.	Specifically for Homeland Nexus Railing System 4 BRACKETS PER KIT

NEXUS® RAILING POLYMER MOUNTING BRACKET KIT P52, 56		
	OVERALL DIMENSIONS: 2-1/4" x 1-7/8" x 1-1/8"	PART NUMBER: FC3416
	BOX QTY: ?? KITS BOX WEIGHT: ?? LBS.	Specifically for Homeland Nexus 2 Railing System ?? BRACKETS PER KIT

NEXUS® 1-3/4" X 2-1/4" BOTTOM COVER CLIP P56, 59		
	OVERALL DIMENSIONS: 2-11/16" x 2-5/8" x 1-1/4"	PART NUMBER: FC3410 + W, T, A STOCK COLORS: WHITE, TAN, ADOBE
	BOX QTY: Contact Customer Service for Box Qty 90 / 216 BOX WEIGHT: 8 LBS.	Specifically for Homeland Nexus Railing System

NEXUS® 1-3/4" X 2-1/4" BOTTOM BRACKETS & SCREWS P56, 59		
	OVERALL DIMENSIONS: 3-1/2" x 5-1/2"	PART NUMBER: FC3414 + W, T, A STOCK COLORS: WHITE, TAN, ADOBE
	BOX QTY: Contact Customer Service for Box Qty 60 / 50 BOX WEIGHT: 28 LBS.	Specifically for Homeland Nexus Railing System

Availability and profile dimensions are subject to change without notice. Check with manufacturer before ordering. All dimensions are subject to manufacturer's tolerances. Gorilla™ is a trademark of Homeland Vinyl Products, Inc. Nexus® is a registered trademark of Homeland Vinyl Products, Inc. Waymark is a registered trademark of Waymark Products, LLC.

Nexus[®] 1 Rail System



See ESR-1657 report for detailed applications. Check local building codes in your area.

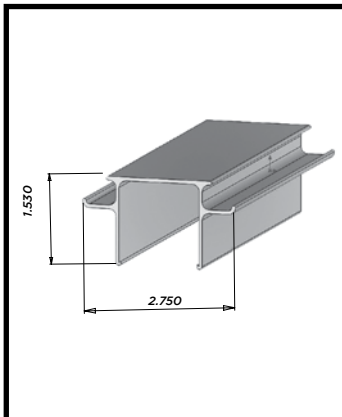
	<p>1-3/4" NEXUS[®] 1 T-RAIL</p> <p>F34C (0.065 wall) 1-3/4" Nexus[®] 1 T-Rail</p> <p>Pcs/Pallet: 216 AL - 71-3/8", 95-3/8", 119-3/8"</p> <p>W=White, T=Tan, D=Adobe</p> <p style="text-align: right;">TOP RAIL</p>
--	--

	<p>1-3/4" X 2-1/4" NEXUS[®] RAIL</p> <p style="text-align: right;">P49, 54</p> <p>F3PB (0.065 wall) 1-3/4" x 2-1/4" Nexus[®] Rail</p> <p>Pcs/Pallet: 216 AL - 71-3/8", 95-3/8", 119-3/8"</p> <p>W=White, T=Tan, D=Adobe</p> <p style="text-align: right;">BOTTOM RAIL</p>
--	---

Availability and profile dimensions are subject to change without notice. Check with manufacturer before ordering. All dimensions are subject to manufacturer's tolerances. Nexus[®] is a registered trademark of Homeland Vinyl Products, Inc.

GORILLA™ GUARD RAIL

NEXUS®1 RAIL SYSTEM



1-3/4" NEXUS® 1 T-RAIL - TOP ALUMINUM INSERT

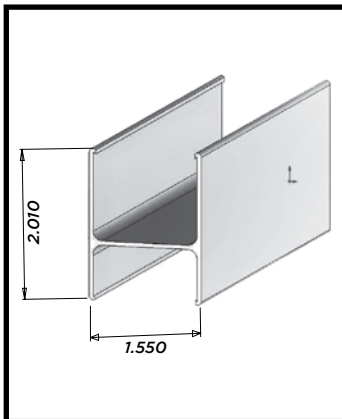
GMT
1-3/4" Nexus® T-Rail Top
Aluminum Insert

Pcs/Pallet: 216
AL - 71-3/8", 95-3/8", 119-3/8"

W=White, T=Tan, D=Adobe

TOP RAIL

Used with:
 Nexus 1
 Top Rail



1-3/4" X 2-1/4" NEXUS® BOTTOM ALUMINUM INSERT P50, 55

GMB
1-3/4" x 2-1/4" Nexus® Bottom
Aluminum Insert

Pcs/Pallet: 216
AL - 71-3/8", 95-3/8", 119-3/8"

W=White, T=Tan, D=Adobe

BOTTOM RAIL

Used with:
 Nexus 1 and Nexus 2
 Bottom Rail

Availability and profile dimensions are subject to change without notice. Check with manufacturer before ordering.
 All dimensions are subject to manufacturer's tolerances.



NEXUS® RAILING ALUMINUM MOUNTING BRACKET KIT P50, 56

OVERALL DIMENSIONS:
 2-1/4" x 1-7/8" x 1-1/8"

PART NUMBER: FC3408

BOX QTY: 54 KITS
 BOX WEIGHT: 36 LBS.

Specifically for Homeland Nexus Railing System
 4 BRACKETS PER KIT



NEXUS® RAILING POLYMER MOUNTING BRACKET KIT P50, 56

OVERALL DIMENSIONS:
 2-1/4" x 1-7/8" x 1-1/8"

PART NUMBER: FC3416

BOX QTY: ?? KITS
 BOX WEIGHT: ?? LBS.

Specifically for Homeland Nexus 2 Railing System
 ?? BRACKETS PER KIT

Gorilla™ is a trademark of Homeland Vinyl Products, Inc. Nexus® is a registered trademark of Homeland Vinyl Products, Inc. Waymark is a registered trademark of Waymark Products, LLC.

GORILLA™ GUARD RAIL - COMPONENTS

Nexus® 1 Bracket And Adapter

NEXUS® 1 1-3/4" T-RAIL BRACKET TOP COVER CLIP



OVERALL DIMENSIONS:
3-1/4" x 2-1/4" x 1-1/4"

PART NUMBER: FC3409 + W, T, A
STOCK COLORS: WHITE, TAN, ADOBE

BOX QTY: 90
BOX WEIGHT: 7 LBS.

Specifically for Homeland Nexus Railing System

NEXUS® 1-3/4" X 2-1/4" BOTTOM COVER CLIP

P50, 56



OVERALL DIMENSIONS:
2-11/16" x 2-5/8" x 1-1/4"

PART NUMBER: FC3410 + W, T, A
STOCK COLORS: WHITE, TAN, ADOBE

BOX QTY: Contact Customer Service for
Box Qty 90 / 216
BOX WEIGHT: 8 LBS.

Specifically for Homeland Nexus Railing System

NEXUS® 1 1-3/4" T-RAIL TOP ADAPTER CUT BLOCK



OVERALL DIMENSIONS:
3-1/4" x 2-1/4" x 1-1/4"

PART NUMBER: FC3411 + W,T,A
STOCK COLORS: WHITE, TAN, ADOBE

BOX QTY: Contact Customer Service for
Box Qty 60 / 216
BOX WEIGHT: 14 LBS.

Specifically for Homeland Nexus Railing System
CUSTOM FIELD CUT FOR STAIR APPLICATIONS.

NEXUS® 1 1-3/4" X 2-1/4" BOTTOM ADAPTER CUT BLOCK



OVERALL DIMENSIONS:
2-11/16" x 2-5/8" x 1-1/4"

PART NUMBER: FC3412 + W, T, A
STOCK COLORS: WHITE, TAN, ADOBE

BOX QTY: Contact Customer Service for
Box Qty 60 / 216
BOX WEIGHT: 15 LBS.

Specifically for Homeland Nexus Railing System
CUSTOM FIELD CUT FOR STAIR APPLICATIONS.

NEXUS® 1-3/4" T-RAIL TOP BRACKETS & SCREWS



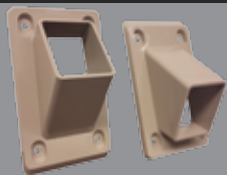
OVERALL DIMENSIONS:
3-1/2" x 5-1/2"

PART NUMBER: FC3413 + W,T,A
STOCK COLORS: WHITE, TAN, ADOBE

BOX QTY: Contact Customer Service for
Box Qty 60 / 50
BOX WEIGHT: 25 LBS.

Specifically for Homeland Nexus Railing System

NEXUS® 1-3/4" X 2-1/4" BOTTOM BRACKETS & SCREWS P50, 56



OVERALL DIMENSIONS:
3-1/2" x 5-1/2"

PART NUMBER: FC3414 + W, T, A
STOCK COLORS: WHITE, TAN, ADOBE

BOX QTY: Contact Customer Service for
Box Qty 60 / 50
BOX WEIGHT: 28 LBS.

Specifically for Homeland Nexus Railing System

NEXUS® STAIR SCREW PLUGS

P56



OVERALL DIMENSIONS:
4-1/2" x 2-1/2"

PART NUMBER: FC3415 + W,T,A
STOCK COLORS: WHITE, TAN, ADOBE

BOX QTY: Contact Customer Service for
Box Qty 60 / 50
BOX WEIGHT: 3 LBS.

Specifically for Homeland Nexus Railing System

Nexus[®] 2 Rail System



See ESR-1657 report for detailed applications. Check local building codes in your area.

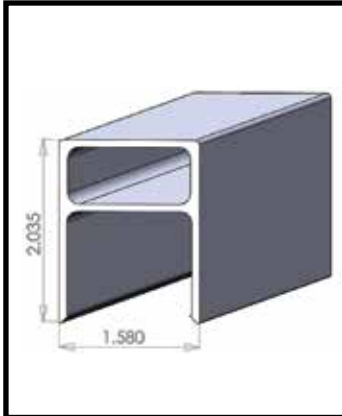
	<p>1-3/4" NEXUS[®] 2 T-RAIL</p> <p>F3N2 (0.065 wall) 1-3/4" Nexus[®] 2 T-Rail</p> <p>Pcs/Pallet: 216 AL - 71-3/8", 95-3/8", 119-3/8"</p> <p>W=White, T=Tan, D=Adobe</p>	<p>TOP RAIL</p>
--	--	------------------------

	<p>1-3/4" X 2-1/4" NEXUS[®] RAIL</p> <p>F3PB (0.065 wall) 1-3/4" x 2-1/4" Nexus[®] Rail</p> <p>Pcs/Pallet: 216 AL - 71-3/8", 95-3/8", 119-3/8"</p> <p>W=White, T=Tan, D=Adobe</p>	<p>BOTTOM RAIL</p>
--	--	---------------------------

Availability and profile dimensions are subject to change without notice. Check with manufacturer before ordering. All dimensions are subject to manufacturer's tolerances. Nexus[®] is a registered trademark of Homeland Vinyl Products, Inc.

GORILLA™ GUARD RAIL

NEXUS® 2 RAIL SYSTEM



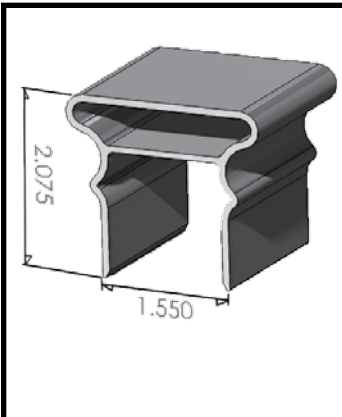
1-3/4" NEXUS® 2 T-RAIL - ALUMINUM "A" INSERT

P50

GMXZY
1-3/4" Nexus® 2 T-Rail
Aluminum "A" Insert

Pcs/Pallet: 216
AL - 71-3/8", 95-3/8", 119-3/8"

TOP RAIL



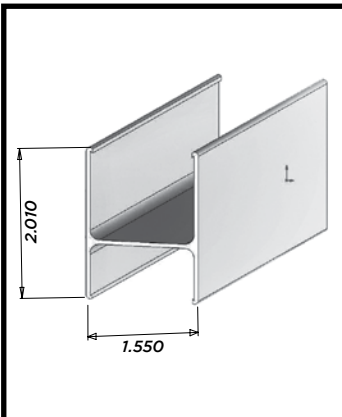
1-3/4" NEXUS® 2 T-RAIL - TOP ALUMINUM INSERT

1-3/4" Nexus® T-Rail Top
Aluminum Insert

Pcs/Pallet: 216
AL - 71-3/8", 95-3/8", 119-3/8"

TOP RAIL

Used with:
 Nexus 2
 Top Rail (96" Spans)



1-3/4" X 2-1/4" NEXUS® BOTTOM ALUMINUM INSERT

P50, 52

GMB
1-3/4" x 2-1/4" Nexus® Bottom
Aluminum Insert

Pcs/Pallet: 216
AL - 71-3/8", 95-3/8", 119-3/8"

BOTTOM RAIL

Used with:
 Nexus 1 and Nexus 2
 Bottom Rail

W=White, T=Tan, D=Adobe

Availability and profile dimensions are subject to change without notice. Check with manufacturer before ordering.
 All dimensions are subject to manufacturer's tolerances. Gorilla™ is a trademark of Homeland Vinyl Products, Inc.
 Nexus® is a registered trademark of Homeland Vinyl Products, Inc.

GORILLA™ GUARD RAIL NEXUS® 2 RAIL SYSTEM

NEXUS® RAILING ALUMINUM MOUNTING BRACKET KIT P50, 52		
	<p>OVERALL DIMENSIONS: 2-1/4" x 1-7/8" x 1-1/8"</p> <p>BOX QTY: 54 KITS BOX WEIGHT: 36 LBS.</p>	<p>PART NUMBER: FC3408</p> <p>Specifically for Homeland Nexus Railing System 4 BRACKETS PER KIT</p>
NEXUS® RAILING POLYMER MOUNTING BRACKET KIT P50, 52		
	<p>OVERALL DIMENSIONS: 2-1/4" x 1-7/8" x 1-1/8"</p> <p>BOX QTY: ?? KITS BOX WEIGHT: ?? LBS.</p>	<p>PART NUMBER: FC3416</p> <p>Specifically for Homeland Nexus 2 Railing System ?? BRACKETS PER KIT</p>
NEXUS® 2 T-RAIL BRACKET TOP COVER CLIP		
	<p>OVERALL DIMENSIONS: 3-1/4" x 2-1/4" x 1-1/4"</p> <p>BOX QTY: 90 BOX WEIGHT: 7 LBS.</p>	<p>PART NUMBER: FC3417 + W, T, A STOCK COLORS: WHITE, TAN, ADOBE</p> <p>Specifically for Homeland Nexus Railing System</p>
NEXUS® 1-3/4" X 2-1/4" BOTTOM COVER CLIP P50, 53		
	<p>OVERALL DIMENSIONS: 2-11/16" x 2-5/8" x 1-1/4"</p> <p>BOX QTY: Contact Customer Service for Box Qty 90 / 216 BOX WEIGHT: 8 LBS.</p>	<p>PART NUMBER: FC3410 + W, T, A STOCK COLORS: WHITE, TAN, ADOBE</p> <p>Specifically for Homeland Nexus Railing System</p>
NEXUS® 2 T-RAIL STAIR BRACKETS & SCREWS		
	<p>OVERALL DIMENSIONS: 3-1/2" x 5-1/2"</p> <p>BOX QTY: Contact Customer Service for Box Qty 60 / 50 BOX WEIGHT: 25 LBS.</p>	<p>PART NUMBER: FC3418 + W, T, A STOCK COLORS: WHITE, TAN, ADOBE</p> <p>Specifically for Homeland Nexus Railing System</p>
NEXUS® 1-3/4" X 2-1/4" BOTTOM BRACKETS & SCREWS P50, 53		
	<p>OVERALL DIMENSIONS: 3-1/2" x 5-1/2"</p> <p>BOX QTY: Contact Customer Service for Box Qty 60 / 50 BOX WEIGHT: 28 LBS.</p>	<p>PART NUMBER: FC3414 + W, T, A STOCK COLORS: WHITE, TAN, ADOBE</p> <p>Specifically for Homeland Nexus Railing System</p>
NEXUS® STAIR SCREW PLUGS P53		
	<p>OVERALL DIMENSIONS: 4-1/2" x 2-1/2"</p> <p>BOX QTY: Contact Customer Service for Box Qty 60 / 50 BOX WEIGHT: 3 LBS.</p>	<p>PART NUMBER: FC3415 + W, T, A STOCK COLORS: WHITE, TAN, ADOBE</p> <p>Specifically for Homeland Nexus Railing System</p>

Gorilla™ is a trademark of Homeland Vinyl Products, Inc. Nexus® is a registered trademark of Homeland Vinyl Products, Inc.
Waymark is a registered trademark of Waymark Products, LLC.

HOMELAND VINYL PRODUCTS, Inc.

GORILLA™ GUARD RAIL NEXUS® ADAPTERS

22 1/2 DEGREE NEXUS® ADAPTER



DIMENSIONS:
3-3/8" x 2-3/4" x 1-3/8"

BOX QTY: 10 sets of 4 with screws
BOX WEIGHT: 6 LBS.

PART NUMBER: FC3420 + W, T, A,
MW, HM, EG, GT
STOCK COLORS: WHITE, TAN, ADOBE

WORKS WITH BOTH STRAIGHT AND STAIR BRACKETS.

45 DEGREE NEXUS® ADAPTER



DIMENSIONS:
3-3/8" x 2-3/4" x 1-15/16"

BOX QTY: 10 sets of 4 with screws
BOX WEIGHT: 7 LBS.

PART NUMBER: FC3421 + W, T, A,
MW, HM, EG, GT
STOCK COLORS: WHITE, TAN, ADOBE

WORKS WITH BOTH STRAIGHT AND STAIR BRACKETS.

8" NEXUS® COLUMN ADAPTER



DIMENSIONS:
3-3/8" x 2-3/4" x 1/2"

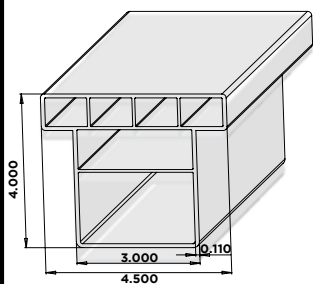
BOX QTY: 10 sets of 4 with screws
BOX WEIGHT: 4 LBS.

PART NUMBER: FC3422 + W, T, A
STOCK COLORS: WHITE, TAN, ADOBE

WORKS WITH BOTH STRAIGHT AND STAIR BRACKETS.

SPECIALTY PRODUCTS 4-1/2 GORILLA® RAIL, PALISADE RAIL

4-1/2" GORILLA® RAIL

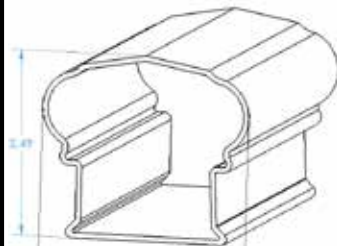


FTB (0.110 wall)
4-1/2" Gorilla® Rail
Pcs/Pallet: 66
AL - 24'

**FTB LIMITED AVAILABILITY.
RUN ONLY ONCE OR TWICE
YEARLY.**

W=White, T=Tan, D=Adobe

PALISADE RAIL



FHP1 (0.070 wall)
Palisade Rail
Pcs/Pallet: 136
AL - 6', 8', 10' MTO

**FHP1 LIMITED AVAILABILITY.
RUN ONLY ONCE OR TWICE
YEARLY.**

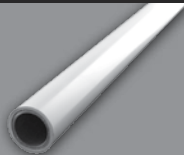
W=White, T=Tan, D=Adobe

Availability and profile dimensions are subject to change without notice. Check with manufacturer before ordering.
All dimensions are subject to manufacturer's tolerances. Gorilla® is a registered trademark of Homeland Vinyl Products, Inc.
*Limited availability, Check with customer service.
**Only runs once or twice yearly.

GORILLA™ GRAB RAIL - SUMMIT® SECONDARY HANDRAIL

8'8" Handrail, Mounting Brackets, End Caps, Post Returns, Wall Mounts and Corners

8'8" HANDRAIL WITH ALUMINUM INSERT



DIMENSIONS: 8'8" L x 1.5" OUTSIDE DIAMETER

PART NUMBER: HR88RAIL + W, T, A, BK
STOCK COLORS: WHITE, TAN, ADOBE, BLACK

BOX QTY: 8
BOX WEIGHT: 49 LBS.

3" OFFSET ALUMINUM MOUNTING BRACKET



BASE DIAMETER: 2 7/8"

PART NUMBER: HR3BRAKA + W, T, A, BK
STOCK COLORS: WHITE, TAN, ADOBE, BLACK

BOX QTY: 24
BOX WEIGHT: 27 LBS.

1" HANDRAIL END CAP



OUTSIDE DIAMETER: 1.5"
INSIDE DIAMETER: 1"

PART NUMBER: HR1ECAP + W, T, A, BK
STOCK COLORS: WHITE, TAN, ADOBE, BLACK

BOX QTY: 16
BOX WEIGHT: 3 LBS.

3" OFFSET 90 DEGREE ALUMINUM POST RETURN



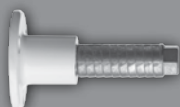
BASE DIAMETER: 3"
CENTER LINE TO PIPE FITTING: 3"

PART NUMBER: HR90RETA + W, T, A, BK
STOCK COLORS: WHITE, TAN, ADOBE, BLACK

BOX QTY: 24
BOX WEIGHT: 31 LBS.

YOU MAY USE OUR PIPE-FITTING RETAINING COMPOUND ITEM # HR2MLRC , IN PLACE OF SCREWS.

STRAIGHT ALUMINUM WALL MOUNT



BASE DIAMETER: 3"
FACE MOUNTED TO PIPE FITTING: 1 3/4"

PART NUMBER: HR134SWMA + W, T, A, BK
STOCK COLORS: WHITE, TAN, ADOBE, BLACK

BOX QTY: 12
BOX WEIGHT: 10 LBS.

YOU MAY USE OUR PIPE-FITTING RETAINING COMPOUND ITEM # HR2MLRC , IN PLACE OF SCREWS.

90 DEGREE OUTSIDE CORNER



OUTSIDE DIAMETER: 1.5"
CENTER LINE TO PIPE FITTING: 2 3/4"

PART NUMBER: HR90OUTCR + W, T, A, BK
STOCK COLORS: WHITE, TAN, ADOBE, BLACK

BOX QTY: 48
BOX WEIGHT: 22 LBS.

USE OUR JOINER KIT TO ATTACH TO HANDRAIL

GORILLA™ GRAB RAIL - SUMMIT® SECONDARY HANDRAIL
 Corner Brackets, Inside Corners, Stair Elbows and Handicap Loops

6" INSIDE CORNER MOUNTING BRACKET



CENTER LINE TO CORNER FACE: 6"

PART NUMBER: HR6INBKA + W, T, A, BK
 STOCK COLORS: WHITE, TAN, ADOBE, BLACK

BOX QTY: 24
 BOX WEIGHT: 8 LBS.

1 1/2" BEAUTY RING



INSIDE DIAMETER: 1.5"
 INSERTION DEPTH: 1/4"

PART NUMBER: HR15BR+W + T, A, BK
 STOCK COLORS: WHITE, TAN, ADOBE, BLACK

BOX QTY: 48
 BOX WEIGHT: 3 LBS.

COVERS THE SEAM BETWEEN TWO SECTIONS OF PIPE.

90 DEGREE INSIDE CORNER



OVERALL LENGTH: 23 1/4"
 OUTSIDE DIAMETER: 1.5"

PART NUMBER: HR90INCR + W, T, A, BK
 STOCK COLORS: WHITE, TAN, ADOBE, BLACK

BOX QTY: 12
 BOX WEIGHT: 18 LBS.

HEAVY WALL PVC PIPE
 USE OUR JOINER KIT TO ATTACH TO HANDRAIL
 INCLUDES (2) BEAUTY RINGS

32 DEGREE STAIR ELBOW



OVERALL LENGTH: 12 3/4"
 OUTSIDE DIAMETER: 1.5"

PART NUMBER: HR32ELBW + W, T, A, BK
 STOCK COLORS: WHITE, TAN, ADOBE, BLACK

BOX QTY: 12
 BOX WEIGHT: 8 LBS.

ALUMINUM REINFORCED
 USE OUR JOINER KIT TO ATTACH TO HANDRAIL
 INCLUDES (2) BEAUTY RINGS

34 DEGREE STAIR ELBOW



OVERALL LENGTH: 12 3/4"
 OUTSIDE DIAMETER: 1.5"

PART NUMBER: HR34ELBW + W, T, A, BK
 STOCK COLORS: WHITE, TAN, ADOBE, BLACK

BOX QTY: 12
 BOX WEIGHT: 8 LBS.

ALUMINUM REINFORCED
 USE OUR JOINER KIT TO ATTACH TO HANDRAIL
 INCLUDES (2) BEAUTY RINGS

36 DEGREE STAIR ELBOW



OVERALL LENGTH: 12 3/4"
 OUTSIDE DIAMETER: 1.5"

PART NUMBER: HR36ELBW + W, T, A, BK
 STOCK COLORS: WHITE, TAN, ADOBE, BLACK




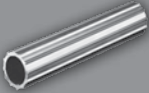


BOX QTY: 12
 BOX WEIGHT: 8 LBS.

ALUMINUM REINFORCED
 USE OUR JOINER KIT TO ATTACH TO HANDRAIL
 INCLUDES (2) BEAUTY RINGS

Gorilla™ is a trademark of Homeland Vinyl Products, Inc. Waymark is a registered trademark of Waymark Products, LLC.
 Summit is an registered trademark of Waymark Products, LLC.

GORILLA™ GRAB RAIL - SUMMIT® SECONDARY HANDRAIL

Post Returns, Handicap Elbows, Wall Returns and Joiners

5 DEGREE HANDICAP ELBOW		
	OVERALL LENGTH: 12" OUTSIDE DIAMETER: 1.5"	PART NUMBER: HR5ELBOW + W, T, A, BK STOCK COLORS: WHITE, TAN, ADOBE, BLACK
	BOX QTY: 12 BOX WEIGHT: 7 LBS.	ALUMINUM REINFORCED USE OUR JOINER KIT TO ATTACH TO HANDRAIL INCLUDES (2) BEAUTY RINGS
180 DEGREE POST RETURN		
	OVERALL LENGTH: 27" OUTSIDE DIAMETER: 1.5" 1 BEAUTY RING INCLUDED	PART NUMBER: HR180PR + W, T, A STOCK COLORS: WHITE, TAN, ADOBE
	BOX QTY: 12 BOX WEIGHT: 15 LBS.	HEAVY WALL PVC PIPE USE OUR JOINER KIT TO ATTACH TO HANDRAIL INCLUDES (1) BEAUTY RING AND (1) END CAP
HANDICAP LOOP		
	DIMENSIONS: 12" x 18" x 12" 1 BEAUTY RING INCLUDED	PART NUMBER: HR12LOOP + W, T, A, BK STOCK COLORS: WHITE, TAN, ADOBE, BLACK
	BOX QTY: 12 BOX WEIGHT: 28 LBS.	ALUMINUM REINFORCED USE OUR JOINER KIT TO ATTACH TO HANDRAIL INCLUDES (1) BEAUTY RING AND (1) END CAP
6" ALUMINUM JOINER KIT WITH SCREWS		
	OUTSIDE DIAMETER: 1"	PART NUMBER: HR6JOINA STOCK COLORS: N/A
	BOX QTY: 48 BOX WEIGHT: 8 LBS.	YOU MAY USE OUR PIPE-FITTING RETAINING COMPOUND ITEM # HR2MLRC, IN PLACE OF SCREWS.
5.75" ADJUSTABLE JOINER		
	OUTSIDE DIAMETER: 1"	PART NUMBER: HR575ADJA STOCK COLORS: N/A
	BOX QTY: 24 BOX WEIGHT: 4 LBS.	YOU MAY USE OUR PIPE-FITTING RETAINING COMPOUND ITEM # HR2MLRC, IN PLACE OF SCREWS.
PIPE FITTING RETAINING COMPOUND		P125
	FOR SECONDARY HANDRAIL APPLICATIONS EASILY BIND, 90 DEGREE RETURNS, ADJUSTABLE JOINERS AND ALUMINUM WALL MOUNTS	PART NUMBER: HR2MLRC STOCK COLORS: N/A CUSTOM COLORS AVAILABLE: N/A
	BOX QTY: 6 TUBES BOX WEIGHT: 0.5 LBS.	6 TUBES WILL DO APPROXIMATELY 24 90 DEGREE POST RETURNS

Gorilla™ is a trademark of Homeland Vinyl Products, Inc. Waymark is a registered trademark of Waymark Products, LLC.
Summit is a registered trademark of Waymark Products, LLC.

HOMELAND VINYL PRODUCTS, Inc.

18-067-M1116

Homeland Profiles: 800.999.6813 | www.Homelandvinyl.com | Waymark Accessories: 877-652-6118

PERFECT FIT & MATCH • PERFECT FIT & MATCH • PERFECT FIT & MATCH •
• PERFECT FIT & MATCH • PERFECT FIT & MATCH • PERFECT FIT & M
& MATCH • PERFECT FIT & MATCH • PERFECT FIT & MATCH • PERFECT
PERFECT FIT & MATCH • PERFECT FIT & MATCH • PERFECT FIT & MATC
PERFECT FIT & MATCH • PERFECT FIT & MATCH • PERFECT FIT & MATCH
• PERFECT FIT & MATCH • PERFECT FIT & MATCH • PERFECT FIT & M
& MATCH • PERFECT FIT & MATCH • PERFECT FIT & MATCH • PERFECT



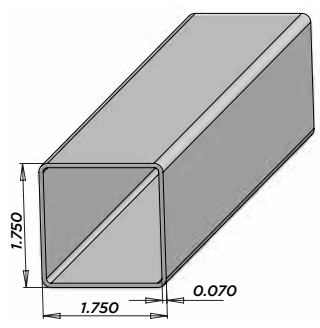
PICKETS PROFILES & ACCESSORIES



Gorilla® is a registered trademark of Homeland Vinyl Products, Inc.

FENCE/GUARD RAIL SMALL PICKETS

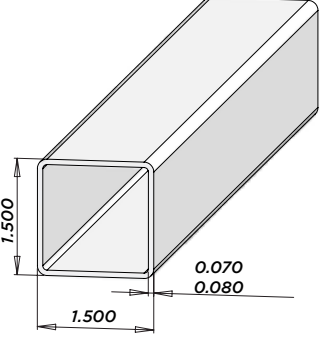
1-3/4" X 1-3/4" STANDARD PICKETS



F41S (0.070 Wall)
 1-3/4" x 1-3/4" Standard Pickets
 Pcs/Pallet: 312
 AL - 16'

W=White, T=Tan, D=Adobe

1-1/2" X 1-1/2" GORILLA® (& STANDARD) PICKETS



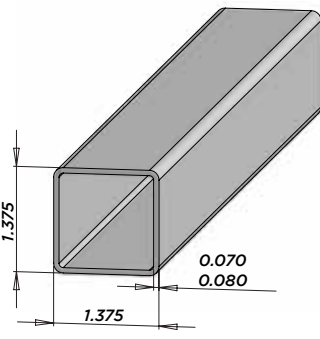
W=White, T=Tan, D=Adobe

F42S (0.070 Wall)
 1-1/2" x 1-1/2" Standard Pickets
 Pcs/Pallet: 450 pcs. (Other Sizes 900)
 AL - 30-1/2", 31", 32", 38",
 10', 12', 16'
NJ - 30-1/2", 32", 16', 43-1/8" *
 UT - 16' (Stocked In UT)

HOMEWOOD OPTION F42S ONLY
 O=Mocha Walnut, Y=Honey Maple,
 Q=Earl Gray, U=Green Teak
F42S (0.070 Wall)
 1-1/2" x 1-1/2" Standard Pickets
 Pcs/Pallet: 450 pcs.
 AL - 16'

F42H (0.080 Wall)
 1-1/2" x 1-1/2" Gorilla® Pickets
 Pcs/Pallet: 450
 AL - MTO

1-3/8" X 1-3/8" GORILLA® (& STANDARD) PICKETS



W=White, T=Tan, D=Adobe

F43C (0.070 Wall)
 1-3/8" x 1-3/8" Standard Pickets
 Pcs/Pallet: 330 pcs. (Other Sizes 600)
 AL - 31-3/4", 32", 32-1/2", 38",
 38-1/2", 16'
NJ - 30", 32", 36", 16' *
 UT - 16' (Stocked In UT)

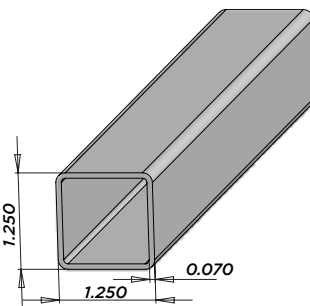
HOMEWOOD OPTION F43C ONLY
 O=Mocha Walnut, Y=Honey Maple,
 Q=Earl Gray, U=Green Teak
F43C (0.070 Wall)
 1-3/8"x1-3/8" Standard Pickets
 Pcs/Pallet: 600 (16', 330 pcs.)
 AL - 16'

F43H (0.080 Wall)
 1-3/8" x 1-3/8" Gorilla® Pickets
 Pcs/Pallet: 330
AL - MTO **
NJ - MTO **

Availability and profile dimensions are subject to change without notice. Check with manufacturer before ordering.
 All dimensions are subject to manufacturer's tolerances. Gorilla® is a registered trademark of Homeland Vinyl Products, Inc.
 *Limited availability, Check with customer service.
 **Only runs once or twice yearly.

FENCE/GUARD RAIL SMALL PICKETS

1-1/4" X 1-1/4" STANDARD PICKETS

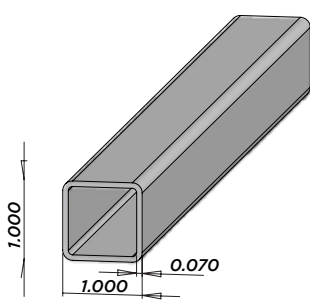


F44S (0.070 Wall)
1-1/4" x 1-1/4" Standard Pickets
Pcs/Pallet: 350
AL - MTO

**F44S LIMITED AVAILABILITY.
 RUN ONLY ONCE OR TWICE
 YEARLY.**

W=White, T=Tan, D=Adobe

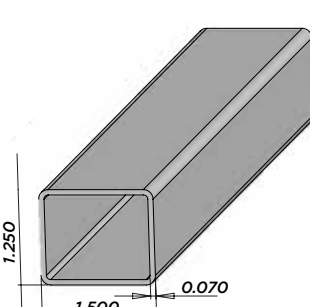
1" X 1" STANDARD PICKETS



F45S (0.070 Wall)
1" x 1" Standard Pickets
Pcs/Pallet: 450
AL - 16'

W=White, T=Tan, D=Adobe

1-1/4" X 1-1/2" STANDARD PICKETS



F47S (0.070 Wall)
1-1/4" x 1-1/2" Standard Pickets
Pcs/Pallet: 510
AL - MTO

**F47S LIMITED AVAILABILITY.
 RUN ONLY ONCE OR TWICE
 YEARLY.**

W=White, T=Tan, D=Adobe

Availability and profile dimensions are subject to change without notice. Check with manufacturer before ordering.

All dimensions are subject to manufacturer's tolerances.

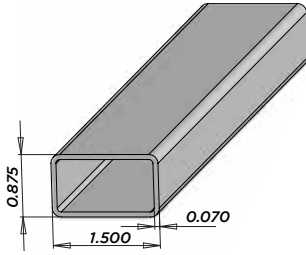
*Limited availability, Check with customer service.

**Only runs once or twice yearly.

FENCE/GUARD RAIL

SMALL PICKETS, RAILS

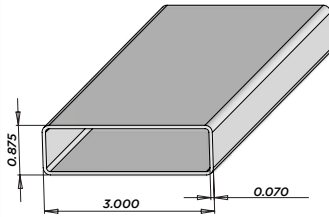
7/8" X 1-1/2" STANDARD PICKETS



F65S (0.070 Wall)
 7/8" x 1-1/2" Standard Pickets
 Pcs/Pallet: 942 (16', 402 pcs.)
 AL - 32", 16'
NJ - 32", 16' *
 UT - 16' (Stocked In UT)

W=White, T=Tan, D=Adobe

7/8" X 3" STANDARD PICKETS



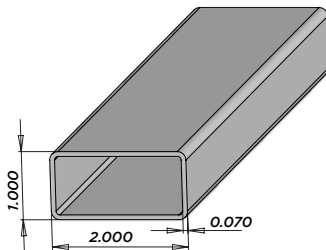
W=White, T=Tan, D=Adobe

F57C (0.070 Wall)
 7/8" X 3" Standard Pickets
 Pcs/Pallet: 355
 AL - 42-11/16", 45-7/8", 12', 16'
NJ - 45-7/8", 12', 16' *
 UT - 16'

HOMEWOOD OPTION F57H ONLY
 O=Mocha Walnut, Y=Honey Maple,
 Q=Earl Gray, U=Green Teak

F57H (0.080 Wall)
 7/8" x 3" Gorilla® Pickets
 Pcs/Pallet: 355
 AL - 8'

1" X 2" STANDARD PICKETS



F48S (0.070 Wall)
 1" x 2" Standard Pickets
 Pcs/Pallet: 270
 AL - 16'

F48S LIMITED AVAILABILITY.
 RUN ONLY ONCE OR TWICE
 YEARLY.

W=White, T=Tan, D=Adobe

Availability and profile dimensions are subject to change without notice. Check with manufacturer before ordering.

All dimensions are subject to manufacturer's tolerances.

*Limited availability, Check with customer service.

**Only runs once or twice yearly.

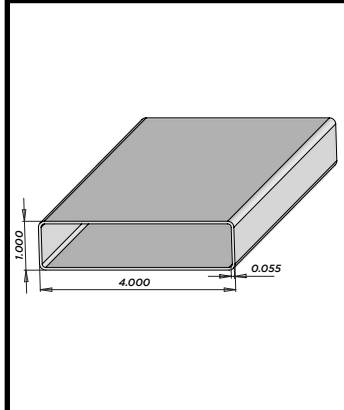
HOMELAND VINYL PRODUCTS, Inc.

18-067-M1116

Homeland Profiles: 800.999.6813 | www.Homelandvinyl.com | Waymark Accessories: 877-652-6118

FENCE/GUARD RAIL

SMALL PICKETS, RAILS

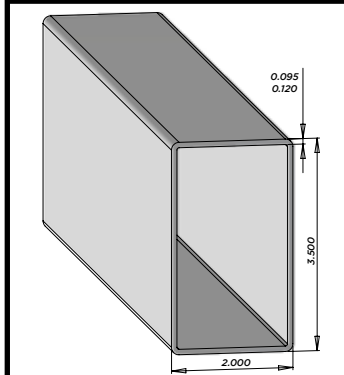


1" X 4" UTILITY PICKETS

F49U (0.055 Wall)
1" x 4" Utility Pickets
Pcs/Pallet: 253
AL - MTO

F49U LIMITED AVAILABILITY.
RUN ONLY ONCE OR TWICE
YEARLY.

W=White, T=Tan, D=Adobe



W=White, T=Tan, D=Adobe

2" X 3-1/2" HOLLOW UTILITY RAIL

P38, 42, 46

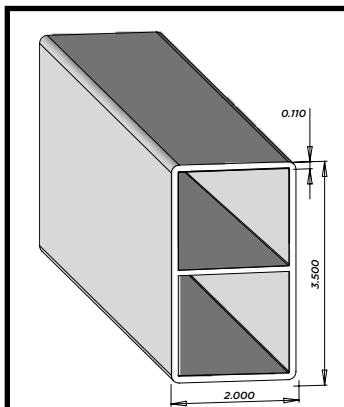
F24E (0.095 Wall)
2"x3-1/2" Hollow Utility Rail
Pcs/Pallet: 143
AL - 6', 94", 8', 10', 16', 24'
NJ - 6', 94", 8', 10', 16' *
UT - 8', 12', 16'

F24C (0.120 Wall)
2"x3-1/2" Hollow Standard Rail
Pcs/Pallet: 143
AL - 6', 8', 16', 24'
UT - 6', 8', 12', 16'

HOMEWOOD OPTION F24E ONLY
O=Mocha Walnut, Y=Honey Maple,
Q=Earl Gray, U=Green Teak

F24E (0.095 Wall)
2"x3-1/2" Hollow Utility Rail
Pcs/Pallet: 143
AL - 16'
UT - 16' - Honey Maple Only

TOP RAIL & BOTTOM RAIL



2" X 3-1/2" RIBBED RAIL

F24B (0.110 wall)
2"x3-1/2" Ribbed Rail
Pcs/Pallet: 143
AL - MTO
UT- MTO

F24B LIMITED AVAILABILITY.
RUN ONLY ONCE OR TWICE
YEARLY.

W=White, T=Tan, D=Adobe

Availability and profile dimensions are subject to change without notice. Check with manufacturer before ordering.

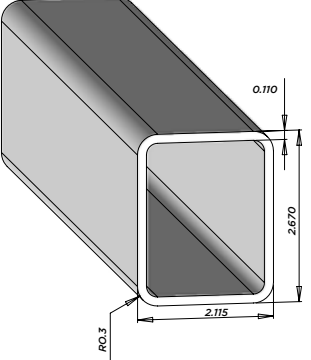
All dimensions are subject to manufacturer's tolerances.

*Limited availability, Check with customer service.

**Only runs once or twice yearly.

FENCE/GUARD RAIL RAILS

2-1/8" X 2-3/4" STANDARD RAIL



F26S (0.110 wall)
2-1/8" x 2-3/4" Standard Rail
Pcs/Pallet: 170
AL - 12', 16'

W=White, T=Tan, D=Adobe

Availability and profile dimensions are subject to change without notice. Check with manufacturer before ordering.

All dimensions are subject to manufacturer's tolerances.

*Limited availability, Check with customer service.

**Only runs once or twice yearly.

GORILLA™ CAPS - POST AND PICKET CAPS

Dog Ear Picket Caps - Spade Picket Caps - Square Picket Caps

7/8" x 1 1/2" PVC SPADE PICKET CAP



DIMENSIONS: 7/8" W x 1.5" L x 1.5" H
 OUTSIDE CORNER RADIUS: 0.125"
 INTERNAL FIT OF CAP: 0.9" H

PART NUMBER: P7815S + W, T, A
 STOCK COLORS: WHITE, TAN, ADOBE

BOX QTY: 500
 BOX WEIGHT: 14 LBS.

FITS WALL THICKNESS OF: .065 - .075

1 3/8" PVC SHARP PICKET CAP



DIMENSIONS: 1 3/8" x 1 3/8" x 1.25" H
 OUTSIDE CORNER RADIUS: 0.125"
 INTERNAL FIT OF CAP: 0.5" H

PART NUMBER: P138SH + W, T, A,
 MW, HM, EG, GT
 STOCK COLORS: WHITE, TAN, ADOBE, MOCHA WALNUT,
 HONEY MAPLE, EARL GRAY, GREEN TEAK

BOX QTY: 500
 BOX WEIGHT: 11 LBS.

FITS WALL THICKNESS OF: .065 - .075

1 1/2" PVC SHARP PICKET CAP



DIMENSIONS: 1.5" x 1.5" x 1.40" H
 OUTSIDE CORNER RADIUS: 0.109"
 INTERNAL FIT OF CAP: 0.60" H

PART NUMBER: P1515SH + W, T, A, MW
 STOCK COLORS: WHITE, TAN, ADOBE, MOCHA WALNUT

BOX QTY: 500
 BOX WEIGHT: 11 LBS.

FITS WALL THICKNESS OF: .065 - .075

7/8" x 3" PVC DOG EAR PICKET CAP



DIMENSIONS: 7/8" W x 3" L x 1" H
 OUTSIDE CORNER RADIUS: 0.125"
 INTERNAL FIT OF CAP: 0.8" H

PART NUMBER: P783DE + W, T, A,
 MW, HM, EG, GT
 STOCK COLORS: WHITE, TAN, ADOBE, MOCHA WALNUT,
 HONEY MAPLE, EARL GRAY, GREEN TEAK

BOX QTY: 300
 BOX WEIGHT: 13 LBS.

PALLET QTY: 72 BOXES - 21,600 PCS.
 FITS WALL THICKNESS OF: .070-.080

7/8" x 3" PVC SPADE PICKET CAP



DIMENSIONS: 7/8" W x 3" L x 2.02" H
 OUTSIDE CORNER RADIUS: 0.125"
 INTERNAL FIT OF CAP: 0.8" H

PART NUMBER: P783S + W, T, A
 STOCK COLORS: WHITE, TAN, ADOBE

BOX QTY: 250
 BOX WEIGHT: 13 LBS.

PALLET QTY: 72 BOXES - 18,000 PCS.
 FITS WALL THICKNESS OF: .070-.080

2" PVC SQUARE PICKET CAP



DIMENSIONS: 2" x 2"


PART NUMBER: P22SQRE + W, T, A
 STOCK COLORS: WHITE, TAN, ADOBE


BOX QTY: 450
 BOX WEIGHT: 14 LBS.


**DROP
SHIP
ONLY**

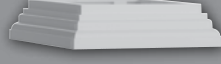
GORILLA™ RAILING - COMPONENTS


Trim Rings


4" NEW ENGLAND TRIM RING		
	DIMENSIONS: 4" x 4" x 1.30" H INSIDE CORNER RADIUS: 0.125" OUTSIDE DIMENSION: 5.49" SQ.	PART NUMBER: TR44NE + W, T, A, MW, HM, EG, GT STOCK COLORS: WHITE, TAN, ADOBE, MOCHA WALNUT, HONEY MAPLE, EARL GRAY, GREEN TEAK
	BOX QTY: 40 BOX WEIGHT: 9 LBS.	MATCHES POST CAP ITEM # C44NE

5" NEW ENGLAND TRIM RING		
	DIMENSIONS: 5" x 5" x 1.62" H INSIDE CORNER RADIUS: 0.125" OUTSIDE DIMENSION: 6.77" SQ.	PART NUMBER: TR55NE + W, T, A, MW, HM, EG, GT STOCK COLORS: WHITE, TAN, ADOBE, MOCHA WALNUT, HONEY MAPLE, EARL GRAY, GREEN TEAK
	BOX QTY: 40 BOX WEIGHT: 15 LBS.	MATCHES POST CAP ITEM # C55NE

4" 2-PIECE NEW ENGLAND TRIM RING		
	DIMENSIONS: 4" x 4" x 1.30" H INSIDE CORNER RADIUS: 0.125" OUTSIDE DIMENSION: 5.49" SQ.	PART NUMBER: TR442PCNE + W, T, A STOCK COLORS: WHITE, TAN, ADOBE
	BOX QTY: 50 BOX WEIGHT: 9 LBS.	MATCHES POST CAP ITEM # C44NE

4" CLASSIC TRIM RING		
	DIMENSIONS: 4" x 4" x 1.40" H INSIDE CORNER RADIUS: 0.125" OUTSIDE DIMENSION: 5.75" SQ.	PART NUMBER: TR44CLS + W, T, A, MW, HM, EG, GT STOCK COLORS: WHITE, TAN, ADOBE, MOCHA WALNUT, HONEY MAPLE, EARL GRAY, GREEN TEAK
	BOX QTY: 36 BOX WEIGHT: 9 LBS.	MATCHES POST CAP ITEM # C44CLS

5" CLASSIC TRIM RING		
	DIMENSIONS: 5" x 5" x 1.48" H INSIDE CORNER RADIUS: 0.125" OUTSIDE DIMENSION: 6.78" SQ.	PART NUMBER: TR55CLS + W, T, A, MW, HM, EG, GT STOCK COLORS: WHITE, TAN, ADOBE, MOCHA WALNUT, HONEY MAPLE, EARL GRAY, GREEN TEAK
	BOX QTY: 36 BOX WEIGHT: 13 LBS.	MATCHES POST CAP ITEM # C55CLS

4" LOW TRIM RING		
	DIMENSIONS: 4" x 4" x 1.00" H INSIDE CORNER RADIUS: 0.125" OUTSIDE DIMENSION: 6.78" SQ.	PART NUMBER: TR44LT + W, T, A,, MW, HM, EG, GT STOCK COLORS: WHITE, TAN, ADOBE, MOCHA WALNUT, HONEY MAPLE, EARL GRAY, GREEN TEAK
	BOX QTY: 40 BOX WEIGHT: 8 LBS.	

GORILLA™ RAILING - COMPONENTS

Trim Rings & Foot Block

4" MULTI-TRIM RING



DIMENSIONS: 4" x 4" x 1.48" H
INSIDE CORNER RADIUS: 0.125"
OUTSIDE DIMENSION: 6.78" SQ.

BOX QTY: 36
BOX WEIGHT: 10 LBS.

PART NUMBER: TR45MT + W, T, A
STOCK COLORS: WHITE, TAN, ADOBE

USES: TRIM RING, 4" TO 5" TRANSITION,
 4" DECORATIVE KNUCKLE USING A 5" POST.

5" MULTI-TRIM RING



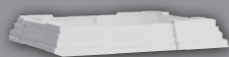
DIMENSIONS: 5" x 5" x 1.48" H
INSIDE CORNER RADIUS: 0.125"
OUTSIDE DIMENSION: 6.78" SQ.

BOX QTY: 40
BOX WEIGHT: 11 LBS.

PART NUMBER: TR565MT + W, T, A
STOCK COLORS: WHITE, TAN, ADOBE

USES: TRIM RING, 5" TO 6.5" TRANSITION,
 5" DECORATIVE KNUCKLE USING A 6.5" POST.

4" TO 6" ADJUSTABLE TRIM RING (4-PIECE)



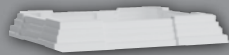
ADJUSTS TO FIT 4" TO 6" POST SIZES
HEIGHT: 1-3/32" (PORCH POST VERSION)
CORNER RADIUS: 7/16"

BOX QTY: 40 SETS
BOX WEIGHT: 12 LBS.

PART NUMBER: TR46ADJ + W, T, A
STOCK COLORS: WHITE, TAN, ADOBE

4 TRIM PIECES (1 SET) SLIDE TOGETHER MAKING IT EASY TO INSTALL ONE TRIM RING

4" TO 6" ADJUSTABLE TRIM RING (4-PIECE) SMALL RADIUS P80



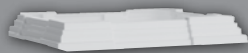
ADJUSTS TO FIT 4" TO 6" POST SIZES
HEIGHT: 1-3/32" (POST WRAP VERSION)
CORNER RADIUS: 1/4"

BOX QTY: 40 SETS
BOX WEIGHT: 12 LBS.

PART NUMBER: TR46WAD + W, T, A
STOCK COLORS: WHITE, TAN, ADOBE

USED FOR POST WRAPS
4 TRIM PIECES (1 SET) SLIDE TOGETHER MAKING IT EASY TO INSTALL ONE TRIM RING

6 1/2" TO 12" ADJUSTABLE TRIM RING (4-PIECE)



ADJUSTS TO FIT 6 1/2" TO 12" POSTS
HEIGHT: 2-3/32"
CORNER RADIUS: 1/4"

BOX QTY: 10 SETS
BOX WEIGHT: 15 LBS.

PART NUMBER: TR6512ADJ + W, T, A
STOCK COLORS: WHITE, TAN, ADOBE

4 TRIM PIECES (1 SET) SLIDE TOGETHER MAKING IT EASY TO INSTALL ONE TRIM RING

ADJUSTABLE RAIL FOOT



ADJUSTS TO FIT 2" TO 4" HEIGHT

BOX QTY: 50
BOX WEIGHT: 8 LBS.

PART NUMBER: RF138+ W, T, A,
 MW, HM, EG, GT
STOCK COLORS: WHITE, TAN, ADOBE, MOCHA WALNUT,
 HONEY MAPLE, EARL GRAY, GREEN TEAK

CUT TO FIT, INSTALLS WITH ONE SCREW BEFORE OR AFTER INSTALLATION

GORILLA™ RAILING - COMPONENTS

Post Skirts, Column Base & Trim Rings

6" DENTAL POST SKIRT



DIMENSIONS: 6" x 6"

PART NUMBER: TR66DENT + W, T, A
STOCK COLORS: WHITE, TAN, ADOBE

BOX QTY: 36
BOX WEIGHT: 38 LBS.

MATCHES POST CAP ITEM # C66DENT

**DROP
SHIP
ONLY**

6 1/2" DENTAL POST SKIRT



DIMENSIONS: 6 1/2" x 6 1/2"

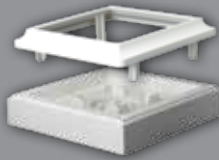
PART NUMBER: TR6565DENT + W, T, A
STOCK COLORS: WHITE, TAN, ADOBE

BOX QTY: 25
BOX WEIGHT: 41 LBS.

MATCHES POST CAP ITEM # C6565DENT

**DROP
SHIP
ONLY**

8" X 8" OR 6.5" X 6.5" COLUMN BASE, TRIM & TRANSITION



DIMENSIONS: 8" x 8" / 6 1/2" x 6 1/2"

PART NUMBER: TR865CB + W, T, A
STOCK COLORS: WHITE, TAN, ADOBE

BOX QTY: 16
BOX WEIGHT: 35 LBS.

MOUNTS AN 8" x 8" POST, 6.5" x 6.5" POST OR
TRANSITIONS FROM 8" TO 6.5" FOR A DECORATIVE
APPEARANCE

8" X 8" COLUMN BASE ONLY



DIMENSIONS: 8" x 8"

PART NUMBER: TR88CB + W, T, A
STOCK COLORS: WHITE, TAN, ADOBE

BOX QTY: 24
BOX WEIGHT: 45 LBS.

MOUNTS AN 8" x 8" POST

PERFECT FIT & MATCH • PERFECT FIT & MATCH • PERFECT FIT & MATCH •
• PERFECT FIT & MATCH • PERFECT FIT & MATCH • PERFECT FIT & M
& MATCH • PERFECT FIT & MATCH • PERFECT FIT & MATCH • PERF
PERFECT FIT & MATCH • PERFECT FIT & MATCH • PERFECT FIT & MATC
PERFECT FIT & MATCH • PERFECT FIT & MATCH • PERFECT FIT & MATCH
• PERFECT FIT & MATCH • PERFECT FIT & MATCH • PERFECT FIT & M
& MATCH • PERFECT FIT & MATCH • PERFECT FIT & MATCH • PERF



GORILLA[®] MATRIX

PROFILES & ACCESSORIES



GORILLA® MATRIX POSTS & COLUMNS

	<p>8" X 8" STANDARD POST P82</p>
<p>F06C (0.170 wall) 8" x 8" Standard Post Pcs/Box: 1 Boxes/Skids: 10 Refer to Commodity Sheet for Box Costs. SOLD IN SKID BOX QUANTITIES ONLY</p> <p>AL - 9'</p>	
<div style="border: 1px solid black; padding: 5px;"> <p>F06C LIMITED AVAILABILITY. RUN ONLY ONCE OR TWICE YEARLY.</p> </div>	
<p>W=White, T=Tan, D=Adobe</p>	

	<p>6-1/2" X 6-1/2" POST (& GORILLA® POST) P82</p>	
<p>F08S (0.270 wall) 6-1/2" x 6-1/2" Gorilla® Post Pcs/Pallet: 21</p>	<p>F08E (0.170 wall) 6-1/2" x 6-1/2" Post Pcs/Pallet: 49 (24', 21 pcs.)</p>	
<p>AL - 9', 16'</p>	<p>AL - 9', 10', 24'</p>	
<div style="border: 1px solid black; padding: 5px;"> <p>F08S LIMITED AVAILABILITY. RUN ONLY ONCE OR TWICE YEARLY.</p> </div>	<div style="border: 1px solid black; padding: 5px;"> <p>F08E LIMITED AVAILABILITY. RUN ONLY ONCE OR TWICE YEARLY.</p> </div>	
<p>W=White, T=Tan, D=Adobe</p>	<div style="border: 1px solid black; padding: 5px;"> <p>Boxed Option for F08E: Pcs/Box: 1 Boxes/Skids: 20 Refer to Commodity Sheet for Box Costs. SOLD IN SKID QUANTITIES ONLY</p> </div>	

Bagging options available for 6"x6", 5"x5", and 4"x4" in truck load quantities. See Made To Order Guidelines.
Availability and profile dimensions are subject to change without notice. Check with manufacturer before ordering.
All dimensions are subject to manufacturer's tolerances. Gorilla® is a registered trademark of Homeland Vinyl Products, Inc.
*Limited availability, Check with customer service. **Only runs once or twice yearly.

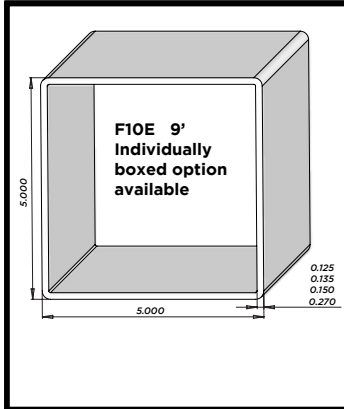
HOMELAND VINYL PRODUCTS, Inc.

18-067-M1116

Homeland Profiles: 800.999.6813 | www.Homelandvinyl.com | Waymark Accessories: 877-652-6118

GORILLA® MATRIX POSTS & COLUMNS

5" X 5" (GORILLA®, STANDARD, UTILITY, RANCH) POST P83



F10K (0.270 wall)
5" x 5" Gorilla® Post
Pcs/Pallet: 36 (16' & Over - 36 pcs)
AL - 9', 16', 24'
NJ - 9'* (Stocked In NJ - White)

F10E (0.135 wall)
5" x 5" Utility Post
Pcs/Pallet: 81 (16' & Over - 36 pcs)
AL - 7', 8', 9', 16', 24'
NJ - 7', 8', 9', 16', 24'
UT - 7', 8', 9', 16', 24'

F10C (0.150 wall)
5" x 5" Standard Post
Pcs/Pallet: 81 (16' & Over - 36 pcs)
AL - 7', 8', 9', 16', 24'
NJ - 7', 8', 9', 16', 24'
UT - 7', 8', 9', 16', 24'

Boxed Option for F10E:
Pcs/Box: 1 Boxes/Skids: 20
Refer to Commodity Sheet for
Box Costs.
SOLD IN SKID QUANTITIES ONLY

HOMEWOOD OPTION F10C ONLY
O=Mocha Walnut, Y=Honey Maple,
Q=Earl Gray, U=Green Teak

F10C (0.150 wall)
5" x 5" Standard Post
Pcs/Pallet: 81 (16' & Over - 36 pcs)
AL - 8', 9', 16'
UT - 8', 16' - Honey Maple Only

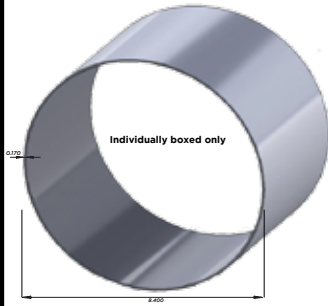
F10J (0.125 wall)
5" x 5" Utility Ranch Post
(Color Inside)
Pcs/Pallet: 81
AL - 5', 6'6", 7'
UT - 5', 6'6", 7'

W=White, T=Tan, D=Adobe

Bagging options available for 6"x6", 5"x5", and 4"x4" in truck load quantities. See Made To Order Guidelines.
 Availability and profile dimensions are subject to change without notice. Check with manufacturer before ordering.
 All dimensions are subject to manufacturer's tolerances. Gorilla® is a registered trademark of Homeland Vinyl Products, Inc.
 *Limited availability, Check with customer service. **Only runs once or twice yearly.

GORILLA® MATRIX POSTS & COLUMNS

P106



TD84 (0.170 wall)
8.40" Round Column
Pcs/Box: 1
Boxes/Skid: 10

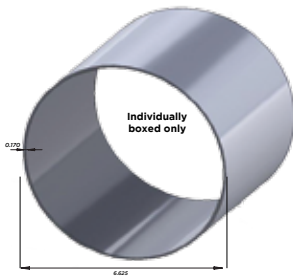
Refer to Commodity Sheet for box costs.
SOLD IN SKID QUANTITIES ONLY
AL - 9'

LIMITED AVAILABILITY.
RUN ONLY ONCE OR TWICE
YEARLY.

W=White, T=Tan, D=Adobe

P106

6.625" ROUND COLUMN



TD64 (0.170 wall)
6.625" Round Column
Pcs/Box: 1
Boxes/Skid: 20

Refer to Commodity Sheet for box costs.
SOLD IN SKID QUANTITIES ONLY
AL - 9'

LIMITED AVAILABILITY.
RUN ONLY ONCE OR TWICE
YEARLY.

W=White, T=Tan, D=Adobe

Bagging options available for 6"x6", 5"x5", and 4"x4" in truck load quantities. See Made To Order Guidelines.
Availability and profile dimensions are subject to change without notice. Check with manufacturer before ordering.
Gorilla® is a registered trademark of Homeland Vinyl Products, Inc. All dimensions are subject to manufacturer's tolerances.

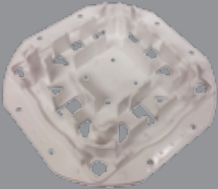
HOMELAND VINYL PRODUCTS, Inc.

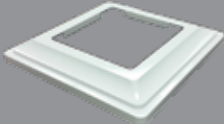
18-067-M1116

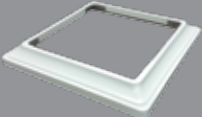
Homeland Profiles: 800.999.6813 | www.Homelandvinyl.com | Waymark Accessories: 877-652-6118

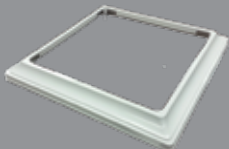
GORILLA® MATRIX PLATE & TRIM

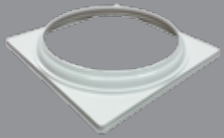
GORILLA® MATRIX PLATE AND TRIM


GORILLA® MATRIX MOUNTING PLATE W/ BUSHING & TRIM		
	DIMENSIONS: 8" X 8"	PART NUMBER: BR88UCM + W, T, A STOCK COLORS: WHITE, TAN, ADOBE
	BOX QTY: 1 (2 KITS PER BOX) WEIGHT: 6 LBS.	KIT INCLUDES, GORILLA MATRIX MOUNTING PLATE, BUSHING & UNIVERSAL TRIM

5" X 5" SQUARE COLUMN TRIM		
	DIMENSIONS: 5" x 5"	PART NUMBER: TR55CT + W, T, A STOCK COLORS: WHITE, TAN, ADOBE
	BOX QTY: 19 BAGS (2 EACH PER BAG - LABELED) WEIGHT: 16 LBS.	THIS TRIM ATTACHES TO THE UNIVERSAL TRIM OR TRANSITION FROM 8" X 8" TO 5" X 5"

6-1/2" X 6-1/2" SQUARE COLUMN TRIM		
	DIMENSIONS: 6-1/2" X 6-1/2"	PART NUMBER: TR6565CT + W, T, A STOCK COLORS: WHITE, TAN, ADOBE
	BOX QTY: 17 BAGS (2 EACH PER BAG - LABELED) WEIGHT: 11 LBS.	THIS TRIM ATTACHES TO THE UNIVERSAL TRIM OR TRANSITION FROM 8" X 8" TO 6-1/2" X 6-1/2"

8" X 8" SQUARE COLUMN TRIM		
	DIMENSIONS: 8" X 8"	PART NUMBER: TR88CT + W, T, A STOCK COLORS: WHITE, TAN, ADOBE
	BOX QTY: 11 BAGS (2 EACH PER BAG - LABELED) WEIGHT: 10 LBS.	THIS TRIM ATTACHES TO THE UNIVERSAL TRIM

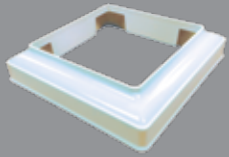
6-5/8" ROUND COLUMN TRIM		
	DIMENSIONS: 6.625" X 6.625"	PART NUMBER: TR658RCT + W, T, A STOCK COLORS: WHITE, TAN, ADOBE
	BOX QTY: 17 BAGS (2 EACH PER BAG - LABELED) WEIGHT: 15 LBS.	THIS TRIM ATTACHES TO THE UNIVERSAL TRIM OR TRANSITION FROM 8" X 8" TO 6-5/8" ROUND

8.4" ROUND COLUMN TRIM		
	DIMENSIONS: 8.4" X 8.4"	PART NUMBER: TR84RCT + W, T, A STOCK COLORS: WHITE, TAN, ADOBE
	BOX QTY: 20 BAGS (2 EACH PER BAG - LABELED) WEIGHT: 19 LBS.	THIS TRIM ATTACHES TO THE UNIVERSAL TRIM

GORILLA® MATRIX PLATE & TRIM

GORILLA® MATRIX PLATE AND TRIM

5" TO 6-1/2" TRANSITION COLUMN TRIM



DIMENSIONS: 6-1/2" x 6-1/2"

PART NUMBER: TR565TCT + W, T, A
STOCK COLORS: WHITE, TAN, ADOBE

BOX QTY: 8 BAGS
(2 EACH PER BAG - LABELED)
WEIGHT: 7 LBS.

TRANSITION FROM 6-1/2" TO 5"

GORILLA® TORPEDO



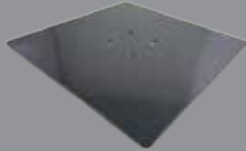
DIMENSIONS: ?" x ?"

PART NUMBER: ????

Coming Soon!

PALLET QTY: ???
PALLET WEIGHT: ??? LBS.

PERGOLA PLATE



DIMENSIONS: ?" x ?"

PART NUMBER: ????

Coming Soon!

PALLET QTY: ???
PALLET WEIGHT: ??? LBS.

PERGOLA U-BRACKET



DIMENSIONS: ?" x ?"

PART NUMBER: ????

Coming Soon!

PALLET QTY: ???
PALLET WEIGHT: ??? LBS.

ADJUSTABLE PERGOLA CLIPS





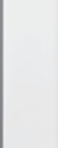



DIMENSIONS: Adjusts to accommodate
profiles 1-1/2" W, 1-3/4" W & 2" W

PART NUMBER: PCADJ
Colors: White, Tan, Adobe

BOX QTY: ???
BOX WEIGHT: ??? LBS.

GORILLA® WRAP

8 Piece Gorilla Post Wraps

1-3/4" x 10' GORILLA® POST WRAP CORNER TRIM P112	
	<p>FMWC Gorilla® Wrap Corner</p> <p>AL - 10'</p> <p>WAYMARK PART NUMBER: W17510CRN + W, T, A STOCK COLORS: WHITE, TAN, ADOBE</p>
4" x 10' GORILLA® POST WRAP COVERAGE SLAT P112	
	<p>FMW4 4" Gorilla® Wrap Insert Covers sides of 3 1/4" to 4 1/4"</p> <p>AL - 10'</p> <p>WAYMARK PART NUMBER: W410SLAT + W, T, A STOCK COLORS: WHITE, TAN, ADOBE</p>
6" x 10' GORILLA® POST WRAP COVERAGE SLAT P112	
	<p>FMW6 6" Gorilla® Wrap Insert Covers sides of 5 1/4" to 6 1/4"</p> <p>AL - 10'</p> <p>WAYMARK PART NUMBER: W610SLAT + W, T, A STOCK COLORS: WHITE, TAN, ADOBE</p>
8" x 10' GORILLA® POST WRAP COVERAGE SLAT P112	
	<p>FMW8 8" Gorilla® Wrap Insert Covers sides of 7 1/4" to 8 1/4"</p> <p>AL - 10'</p> <p>WAYMARK PART NUMBER: W810SLAT + W, T, A STOCK COLORS: WHITE, TAN, ADOBE</p>
10" x 10' GORILLA® POST WRAP COVERAGE SLAT P112	
	<p>FMW0 10" Gorilla® Wrap Insert Covers sides of 9 1/4" to 10 1/4"</p> <p>AL - 10'</p> <p>WAYMARK PART NUMBER: W1010SLAT + W, T, A STOCK COLORS: WHITE, TAN, ADOBE</p>
12" x 10' GORILLA® POST WRAP COVERAGE SLAT P112	
	<p>FMW2 12" Gorilla® Wrap Insert Covers sides of 11 1/4" to 12 1/4"</p> <p>AL - 10'</p> <p>PART NUMBER: W1210SLAT + W, T, A STOCK COLORS: WHITE, TAN, ADOBE</p>

Gorilla® is a registered trademark of Homeland Vinyl Products, Inc.

HOMELAND VINYL PRODUCTS, Inc.

18-067-M1116

Homeland Profiles: 800.999.6813 | www.Homelandvinyl.com | Waymark Accessories: 877-652-6118

GORILLA® WRAP

4 Piece Gorilla Post Wrap ,

4 PIECE - 4" x 4" X 10' GORILLA® POST WRAP



FPW4
4"x4" Gorilla® Wrap
Pcs/Box: 5 posts per box
Bulk: 92 posts per bundle
Length - 10'

WAYMARK PART NUMBER:
 W410BOX + W, T, A
 STOCK COLORS: WHITE, TAN, ADOBE

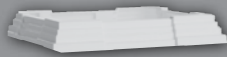
4 PIECE - 6" x 6" X 10' GORILLA® POST WRAP



FPW6
6"x6" Gorilla® Wrap
Pcs/Box: 4 posts per box
Bulk: 74 posts per bundle
Length - 10'

WAYMARK PART NUMBER:
 W610BOX + W, T, A
 STOCK COLORS: WHITE, TAN, ADOBE

4" TO 6" ADJUSTABLE TRIM RING (4-PIECE) SMALL RADIUS P70



ADJUSTS TO FIT 4" TO 6" POST SIZES
 HEIGHT: 1-3/32" (POST WRAP VERSION)
 CORNER RADIUS: 1/4"

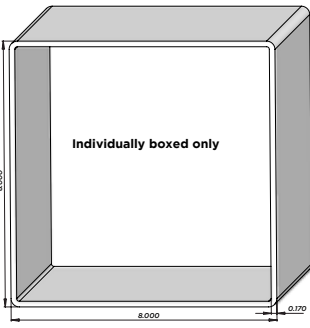
BOX QTY: 40 SETS
 BOX WEIGHT: 12 LBS.

PART NUMBER: TR46WAD + W, T, A
 STOCK COLORS: WHITE, TAN, ADOBE

USED FOR POST WRAPS
 4 TRIM PIECES (1 SET) SLIDE TOGETHER MAKING
 IT EASY TO INSTALL ONE TRIM RING

GORILLA® POSTS

POSTS



Individually boxed only

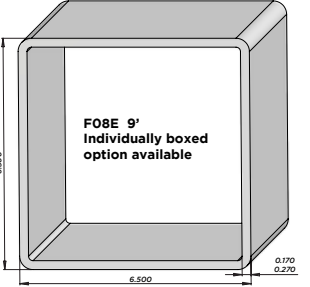
8" X 8" STANDARD POST P73

F06C (0.170 wall)
8" x 8" Standard Post
Pcs/Box: 1
Boxes/Skids: 10
Refer to Commodity Sheet for Box Costs.
SOLD IN SKID BOX QUANTITIES ONLY

AL - 9'

F06C LIMITED AVAILABILITY.
RUN ONLY ONCE OR TWICE
YEARLY.

W=White, T=Tan, D=Adobe



F08E 9'
Individually boxed
option available

6-1/2" X 6-1/2" POST (& GORILLA® POST) P73

F08S (0.270 wall) 6-1/2" x 6-1/2"
Gorilla® Post
Pcs/Pallet: 21

AL - 9', 16'

F08S LIMITED AVAILABILITY.
RUN ONLY ONCE OR TWICE
YEARLY.

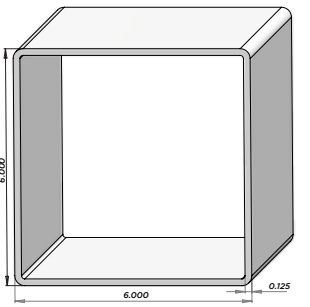
F08E (0.170 wall) 6-1/2" x 6-1/2" Post
Pcs/Pallet: 49
(24', 21 pcs.)

AL - 9', 10', 24'

F08E LIMITED AVAILABILITY.
RUN ONLY ONCE OR TWICE
YEARLY.

Boxed Option for F08E:
Pcs/Box: 1 Boxes/Skids: 20
Refer to Commodity Sheet for
Box Costs.
SOLD IN SKID QUANTITIES ONLY

W=White, T=Tan, D=Adobe



6" X 6" STANDARD POST

F09C (0.125 wall)
6" x 6" Standard Post
Pcs/Pallet: 32

AL - 9', 10', 16'

F09C LIMITED AVAILABILITY.
RUN ONLY ONCE OR TWICE
YEARLY.

Bagging options available at extra
cost for F09C - 6" x 6" standard
post for truckload quantities from
Alabama Location only.

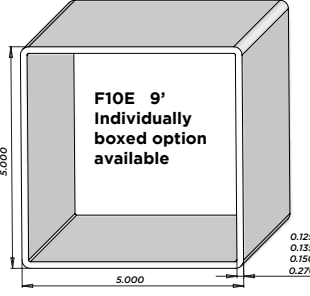
W=White, T=Tan, D=Adobe

Bagging options available for 6"x6", 5"x5", and 4"x4" in truck load quantities. See Made To Order Guidelines.
Availability and profile dimensions are subject to change without notice. Check with manufacturer before ordering.
All dimensions are subject to manufacturer's tolerances. Gorilla® is a registered trademark of Homeland Vinyl Products, Inc.
****Only runs once or twice yearly.**

GORILLA® POSTS

POSTS

5" X 5" (GORILLA®, STANDARD, UTILITY, RANCH) POST
P74



F10K (0.270 wall)
5" x 5" Gorilla® Post
Pcs/Pallet: 36 (16' & Over - 36 pcs)
AL - 9', 16', 24'
NJ - 9'* (Stocked In NJ - White)

F10C (0.150 wall)
5" x 5" Standard Post
Pcs/Pallet: 81 (16' & Over - 36 pcs)
AL - 7', 8', 9', 16', 24'
NJ - 7', 8', 9', 16', 24'
UT - 7', 8', 9', 16', 24'

HOMEWOOD OPTION F10C ONLY
O=Mocha Walnut, Y=Honey Maple, Q=Earl Gray, U=Green Teak

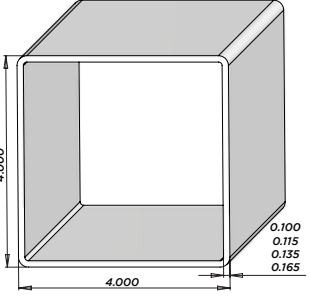
F10C (0.150 wall)
5" x 5" Standard Post
Pcs/Pallet: 81 (16' & Over - 36 pcs)
AL - 8', 9', 16'
UT - 8', 16' - Honey Maple Only

F10E (0.135 wall)
5" x 5" Utility Post
Pcs/Pallet: 81 (16' & Over - 36 pcs)
AL - 7', 8', 9', 16', 24'
NJ - 7', 8', 9', 16', 24'
UT - 7', 8', 9', 16', 24'

Boxed Option for F10E:
Pcs/Box: 1 Boxes/Skids: 20
Refer to Commodity Sheet for Box Costs.
SOLD IN SKID QUANTITIES ONLY

W=White, T=Tan, D=Adobe

4" X 4" (GORILLA®, STANDARD, UTILITY, VALUE) POST



F12C (0.165 wall)
4" x 4" Gorilla® Post
Pcs/Pallet: 121 (16' & Over - 55 pcs.)
AL - 9', 16', 24'
UT - 16'

F12N (0.135 wall)
4" x 4" Standard Post
Pcs/Pallet: 121 (16' & Over - 55 pcs.)
AL - 6', 7', 9', 16', 24'
NJ - 6', 7', 9', 16', 24'*
UT - 6', 7', 9', 16', 24'

HOMEWOOD OPTION F12N ONLY
O=Mocha Walnut, Y=Honey Maple, Q=Earl Gray, U=Green Teak

F12N (0.135 wall)
4"x4" Standard Post
Pcs/Pallet: 121 (16' & Over - 55 pcs.)
AL - 16'
UT - 16 - Honey Maple Only

F12V (0.100 wall)
4" x 4" Value Post
(Color Inside)
Pcs/Pallet: 121
AL - 39", 48", 8'
NJ - 39", 48", 8'*

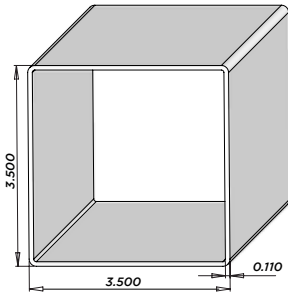
F12E (0.115 wall)
4" x 4" Utility Post
Pcs/Pallet: 121 (16' & Over - 55 pcs.)
AL - 39", 48", 6', 7', 8', 9', 16', 24'
NJ - 39", 48", 7', 8', 9', 16', 24'*
UT - 9', 16', 24'

Bagging options available at extra cost for F12E - 4" x 4" utility post for truckload quantities from Alabama Location only.

W=White, T=Tan, D=Adobe

Bagging options available for 6"x6", 5"x5", and 4"x4" in truck load quantities. See Made To Order Guidelines.
 Availability and profile dimensions are subject to change without notice. Check with manufacturer before ordering.
 All dimensions are subject to manufacturer's tolerances. Gorilla® is a registered trademark of Homeland Vinyl Products, Inc.
 *Limited availability, Check with customer service.

GORILLA® POSTS POSTS

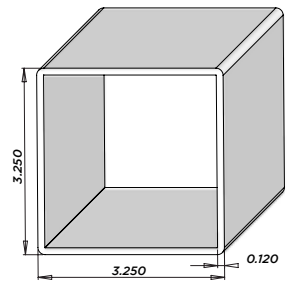


3-1/2" X 3-1/2" UTILITY POST

F13E (0.110 wall)
3-1/2" x 3-1/2" Utility Post
Pcs/Pallet: 156 (16' & Over - 78 pcs.)
AL - 16'

**F13E LIMITED AVAILABILITY.
 RUN ONLY ONCE OR TWICE
 YEARLY.**

W=White, T=Tan, D=Adobe

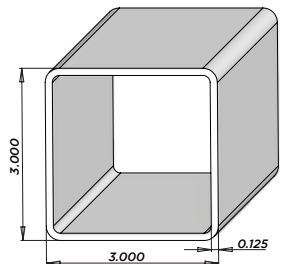


3-1/4" X 3-1/4" STANDARD POST

F15S (0.120 wall)
3-1/4" x 3-1/4" Standard Post
Pcs/Pallet: 98
AL - 16'

**F15S LIMITED AVAILABILITY.
 RUN ONLY ONCE OR TWICE
 YEARLY.**

W=White, T=Tan, D=Adobe



3" X 3" CO-EX STANDARD POST

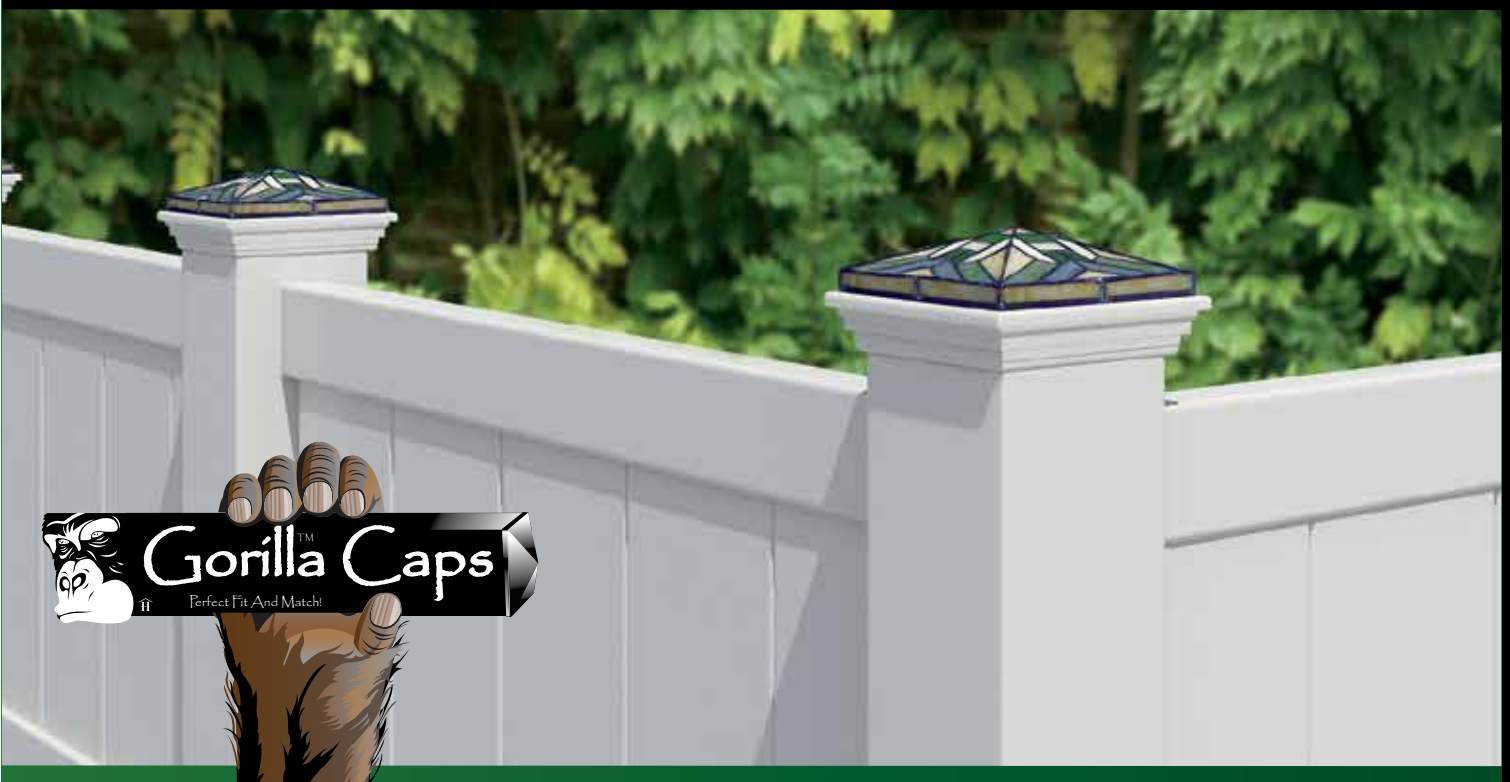
F14C (0.125 wall)
3" x 3" Co-Ex Standard Post
Pcs/Pallet: 120
AL - 16', 24'

**F14C LIMITED AVAILABILITY.
 RUN ONLY ONCE OR TWICE
 YEARLY.**

W=White, T=Tan, D=Adobe

Bagging options available for 6"x6", 5"x5", and 4"x4" in truck load quantities. See Made To Order Guidelines.
 Availability and profile dimensions are subject to change without notice. Check with manufacturer before ordering.
 All dimensions are subject to manufacturer's tolerances. Gorilla® is a registered trademark of Homeland Vinyl Products, Inc.
 **Only runs once or twice yearly.

IT & MATCH • PERFECT FIT & MATCH • PERFECT FIT & MATCH • PER
PERFECT FIT & MATCH • PERFECT FIT & MATCH • PERFECT FIT & MAT
ATCH • PERFECT FIT & MATCH • PERFECT FIT & MATCH • PERFECT
ECT FIT & MATCH • PERFECT FIT & MATCH • PERFECT FIT & MATCH •
CT FIT & MATCH • PERFECT FIT & MATCH • PERFECT FIT & MATCH •
PERFECT FIT & MATCH • PERFECT FIT & MATCH • PERFECT FIT & MAT
ATCH • PERFECT FIT & MATCH • PERFECT FIT & MATCH • PERFECT



GORILLA™ CAPS & TOPS


Shown:
4" Forrest Waypoint® Tops
#CG44TOPFOR

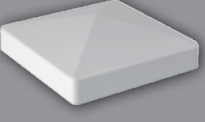



Gorilla™ is a trademark of Homeland Vinyl Products, Inc.


GORILLA™ CAPS - POST AND PICKET CAPS


External Pyramid Caps - Internal Pyramid Caps


4" EXTERNAL PVC PYRAMID CAP		
	DIMENSIONS: 4" x 4" x 1.46" H INSIDE CORNER RADIUS: 0.165" CAP LIP: 0.868"	PART NUMBER: C44PYRA + W, T, A, MW, HM, EG, GT
	BOX QTY: 204 BOX WEIGHT: 32 LBS.	STOCK COLORS: WHITE, TAN, ADOBE, MOCHA WALNUT, HONEY MAPLE, EARL GRAY, GREEN TEAK
		PALLET QTY: 16 BOXES - 3264 PCS.

4" EXTERNAL SHORT LIP PVC PYRAMID CAP		
	DIMENSIONS: 4" x 4" x 1.35" H INSIDE CORNER RADIUS: 0.165" CAP LIP: 0.537"	PART NUMBER: C44SHRT + W, T, A
	BOX QTY: 120 BOX WEIGHT: 13 LBS.	STOCK COLORS: WHITE, TAN, ADOBE

5" EXTERNAL PVC PYRAMID CAP		
	DIMENSIONS: 5" x 5" x 1.875" H INSIDE CORNER RADIUS: 0.1719" (11/64") CAP LIP: 1" H	PART NUMBER: C55PYRA + W, T, A, MW, HM, EG, GT
	BOX QTY: 136 BOX WEIGHT: 39 LBS.	STOCK COLORS: WHITE, TAN, ADOBE, MOCHA WALNUT, HONEY MAPLE, EARL GRAY, GREEN TEAK
		PALLET QTY: 20 BOXES - 2040 PCS.

6 1/2" EXTERNAL PVC PYRAMID CAP		
	DIMENSIONS: 6.5" x 6.5"	PART NUMBER: C65PYRA + W, T, A
	BOX QTY: 30 BOX WEIGHT: 15 LBS.	STOCK COLORS: WHITE, TAN, ADOBE
		DROP SHIP ONLY

8" EXTERNAL PVC PYRAMID CAP		
	DIMENSIONS: 8" x 8"	PART NUMBER: C88HORSE + W, T, A
	BOX QTY: 12 BOX WEIGHT: 7 LBS.	STOCK COLORS: WHITE, TAN, ADOBE
		DROP SHIP ONLY

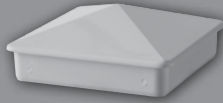
4" INTERNAL PVC PYRAMID CAP		
	DIMENSIONS: 4" x 4" x 1.55" H OUTSIDE CORNER RADIUS: 0.25" INTERNAL FIT OF CAP: 0.75" H	PART NUMBER: C44IPYRA + W, T, A
	BOX QTY: 192 BOX WEIGHT: 33 LBS.	STOCK COLORS: WHITE, TAN, ADOBE

Gorilla™ is a trademark of Homeland Vinyl Products, Inc. Waymark is a registered trademark of Waymark Products, LLC.

GORILLA™ CAPS - POST AND PICKET CAPS

Internal Pyramid Caps - New England Caps - Classic Caps - Gothic Caps

5" INTERNAL PVC PYRAMID CAP

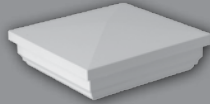


DIMENSIONS: 5" x 5" x 1.46" H
 OUTSIDE CORNER RADIUS: 0.25"
 INTERNAL FIT OF CAP: 0.74" H

BOX QTY: 144
 BOX WEIGHT: 41 LBS.

PART NUMBER: C55IPYRA + W, T, A
 STOCK COLORS: WHITE, TAN, ADOBE

4" PVC NEW ENGLAND CAP

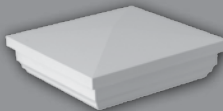


DIMENSIONS: 4" x 4" x 1.78" H
 INSIDE CORNER RADIUS: 0.125"
 CAP LIP: 1"

BOX QTY: 28
 BOX WEIGHT: 11 LBS.

PART NUMBER: C44NE + W, T, A,
 MW, HM, EG, GT
 STOCK COLORS: WHITE, TAN, ADOBE, MOCHA WALNUT,
 HONEY MAPLE, EARL GRAY, GREEN TEAK
 PALLET QTY: 60 BOXES - 1680 PCS.
 MATCHING TRIM ITEM # TR44NE

5" PVC NEW ENGLAND CAP



DIMENSIONS: 5" x 5" x 2.192" H
 INSIDE CORNER RADIUS: 0.156"
 CAP LIP: 1.30" H

BOX QTY: 24
 BOX WEIGHT: 16 LBS.

PART NUMBER: C55NE + W, T, A,
 MW, HM, EG, GT
 STOCK COLORS: WHITE, TAN, ADOBE, MOCHA WALNUT,
 HONEY MAPLE, EARL GRAY, GREEN TEAK
 PALLET QTY: 45 BOXES - 1080 PCS.
 MATCHING TRIM ITEM # TR55NE

4" PVC CLASSIC CAP (COMBINE WITH WAYPOINT TOPS TO FURTHER ENHANCE APPEARANCE)



DIMENSIONS: 4" x 4" x 2.55" H
 INSIDE CORNER RADIUS: 0.125"
 CAP LIP: 1.025"

BOX QTY: 24
 BOX WEIGHT: 12 LBS.

PART NUMBER: C44CLS + W, T, A,
 MW, HM, EG, GT
 STOCK COLORS: WHITE, TAN, ADOBE, MOCHA WALNUT,
 HONEY MAPLE, EARL GRAY, GREEN TEAK
 PALLET QTY: 60 BOXES - 1440 PCS.
 MATCHING TRIM ITEM # TR44CLS

5" PVC CLASSIC CAP (COMBINE WITH WAYPOINT TOPS TO FURTHER ENHANCE APPEARANCE)



DIMENSIONS: 5" x 5" x 2.74" H
 INSIDE CORNER RADIUS: 0.188"
 CAP LIP: 1.28"

BOX QTY: 24
 BOX WEIGHT: 17 LBS.

PART NUMBER: C55CLS + W, T, A,
 MW, HM, EG, GT
 STOCK COLORS: WHITE, TAN, ADOBE, MOCHA WALNUT,
 HONEY MAPLE, EARL GRAY, GREEN TEAK
 PALLET QTY: 45 BOXES - 1080 PCS.
 MATCHING TRIM ITEM # TR55CLS

4" PVC GOTHIC CAP



DIMENSIONS: 4" x 4" x 7.83" H
 INSIDE CORNER RADIUS: 0.061"
 CAP LIP: 1.36"


BOX QTY: 45
 BOX WEIGHT: 25 LBS.


PART NUMBER: C44GOTH + W, T, A, MW
 STOCK COLORS: WHITE, TAN, ADOBE, MOCHA WALNUT
 PALLET QTY: 24 BOXES - 1080 PCS.

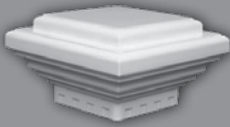
Gorilla™ is a trademark of Homeland Vinyl Products, Inc. Waymark is a registered trademark of Waymark Products, LLC.

GORILLA™ CAPS - POST AND PICKET CAPS

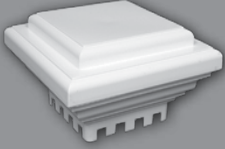
Gothic Caps - Dental Caps - Spade, Sharp and Dog Ear Picket Caps

5" PVC GOTHIC CAP		
	DIMENSIONS: 5" x 5" x 9.64" H INSIDE CORNER RADIUS: 0.031" CAP LIP: 1.57"	PART NUMBER: C55GOTH + W, T, A, MW STOCK COLORS: WHITE, TAN, ADOBE, MOCHA WALNUT
	BOX QTY: 48 BOX WEIGHT: 44 LBS.	PALLET QTY: 12 BOXES - 576 PCS.

1 3/8" PVC GOTHIC CAP SQUARE EXTERNAL		
	DIMENSIONS: 1 3/8" x 1 3/8" x 2.57" H INSIDE CORNER RADIUS: .031" CAP LIP: .43"	PART NUMBER: P138GOTH + W, T, A STOCK COLORS: WHITE, TAN, ADOBE
	BOX QTY: 100 BOX WEIGHT: 7 LBS.	

6" PVC DENTAL CAP		
	DIMENSIONS: 6" x 6"	PART NUMBER: C66DENT + W, T, A STOCK COLORS: WHITE, TAN, ADOBE
	BOX QTY: 12 BOX WEIGHT: 30 LBS.	MATCHING TRIM ITEM # TR66DENT

DROP
SHIP
ONLY

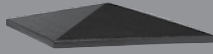
6 1/2" PVC DENTAL CAP		
	DIMENSIONS: 6.5" x 6.5"	PART NUMBER: C65DENT + W, T, A STOCK COLORS: WHITE, TAN, ADOBE
	BOX QTY: 12 BOX WEIGHT: 32 LBS.	MATCHING TRIM ITEM # TR6565DENT


DROP
SHIP
ONLY


Gorilla™ is a trademark of Homeland Vinyl Products, Inc. Waymark is a registered trademark of Waymark Products, LLC.

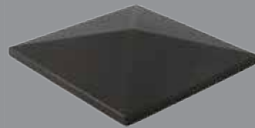
GORILLA™ LIGHTING, SOLAR-LOW VOLTAGE-TOPS

WAYPOINT® Metal Waypoint® Tops

4" AND 5" BLACK WAYPOINT® TOPS		
	DIMENSIONS: TOP FITS ON OUR CLASSIC CAP	4" - PART NUMBER: CM44TOPBK 5" - PART NUMBER: CM55TOPBK
	BOX QTY: 12 BOX WEIGHT: 2 LBS.	* See note below.

4" AND 5" COPPER WAYPOINT® TOPS		
	DIMENSIONS: TOP FITS ON OUR CLASSIC CAP	4" - PART NUMBER: CM44TOPCOP 5" - PART NUMBER: CM55TOPCOP
	BOX QTY: 12 BOX WEIGHT: 2 LBS.	* See note below.

4" AND 5" STAINLESS WAYPOINT® TOPS		
	DIMENSIONS: TOP FITS ON OUR CLASSIC CAP	4" - PART NUMBER: CM44TOPSTN 5" - PART NUMBER: CM55TOPSTN
	BOX QTY: 12 BOX WEIGHT: 2 LBS.	* See note below.

4" AND 5" BRONZE WAYPOINT® TOPS		
	DIMENSIONS: TOP FITS ON OUR CLASSIC CAP	4" - PART NUMBER: CM44TOPBRZ 5" - PART NUMBER: CM55TOPBRZ
	BOX QTY: 12 BOX WEIGHT: 2 LBS.	* See note below.

*METAL PLATED TOPS GLUE TO CLASSIC CAP USING WAYMARK'S RAPID SET PVC GLUE. PVC GLUE IS AVAILABLE IN BOTH WHITE & CLEAR. 1.5 OZ & 8 OZ PART # G15OZTUBE (W,T) & G8OZTUBE (W,T)

Gorilla™ is a trademark of Homeland Vinyl Products, Inc. Waymark is a registered trademark of Waymark Products, LLC. Waypoint is an registered trademark of Waymark Products, LLC.

HOMELAND VINYL PRODUCTS, Inc.

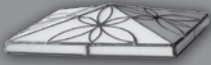
18-067-M1116

Homeland Profiles: 800.999.6813 | www.Homelandvinyl.com | Waymark Accessories: 877-652-6118

GORILLA™ LIGHTING, SOLAR-LOW VOLTAGE-TOPS

WAYPOINT® Stained Glass Waypoint® Tops

4" AND 5" PEARL WAYPOINT® TOPS



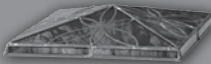
DIMENSIONS: TOP FITS ON OUR CLASSIC CAP

4" - PART NUMBER: CG44TOPPRL
5" - PART NUMBER: CG55TOPPRL

BOX QTY: 12
BOX WEIGHT: 3 LBS.

* See note below.

4" AND 5" CHESTNUT WAYPOINT® TOPS



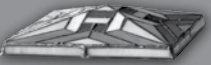
DIMENSIONS: TOP FITS ON OUR CLASSIC CAP

4" - PART NUMBER: CG44TOPCST
5" - PART NUMBER: CG55TOPCST

BOX QTY: 12
BOX WEIGHT: 3 LBS.

* See note below.

4" AND 5" FOREST WAYPOINT® TOPS



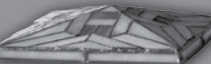
DIMENSIONS: TOP FITS ON OUR CLASSIC CAP

4" - PART NUMBER: CG44TOPFOR
5" - PART NUMBER: CG55TOPFOR

BOX QTY: 12
BOX WEIGHT: 3 LBS.

* See note below.

4" AND 5" HARVEST WAYPOINT® TOPS



DIMENSIONS: TOP FITS ON OUR CLASSIC CAP

4" - PART NUMBER: CG44TOPPHAR
5" - PART NUMBER: CG55TOPPHAR

BOX QTY: 12
BOX WEIGHT: 3 LBS.

* See note below.

4" AND 5" SUNFLOWER WAYPOINT® TOPS



DIMENSIONS: TOP FITS ON OUR CLASSIC CAP

4" - PART NUMBER: CG44TOPSNF
5" - PART NUMBER: CG55TOPSNF

BOX QTY: 12
BOX WEIGHT: 3 LBS.

* See note below.

4" AND 5" GRAPE WAYPOINT® TOPS



DIMENSIONS: TOP FITS ON OUR CLASSIC CAP

4" - PART NUMBER: CG44TOPGRP
5" - PART NUMBER: CG55TOPGRP

BOX QTY: 12
BOX WEIGHT: 3 LBS.

* See note below.

* GLASS TOPS GLUE TO CLASSIC CAP BY APPLYING A SMALL AMOUNT OF SILICONE ADHESIVE TO ALL 4 CORNERS. PLEASE SEE WWW.WAYMARKPRODUCTS.COM FOR FURTHER INSTRUCTION.

Gorilla™ is a trademark of Homeland Vinyl Products, Inc. Waymark is a registered trademark of Waymark Products, LLC. Waypoint is an registered trademark of Waymark Products, LLC.

IT & MATCH • PERFECT FIT & MATCH • PERFECT FIT & MATCH • PER
PERFECT FIT & MATCH • PERFECT FIT & MATCH • PERFECT FIT & MAT
MATCH • PERFECT FIT & MATCH • PERFECT FIT & MATCH • PERFECT
ECT FIT & MATCH • PERFECT FIT & MATCH • PERFECT FIT & MATCH •
CT FIT & MATCH • PERFECT FIT & MATCH • PERFECT FIT & MATCH •
PERFECT FIT & MATCH • PERFECT FIT & MATCH • PERFECT FIT & MAT
MATCH • PERFECT FIT & MATCH • PERFECT FIT & MATCH • PERFECT



GORILLA™ LIGHTING

SOLAR & LOW VOLTAGE

Shown:
4" Solar Light
SLWHWH4W

Side Mount Solar Light
#SLSIDEW



Gorilla™ is a trademark of Homeland Vinyl Products, Inc.



SOLAR POST CAP LIGHTING

SMART CIRCUIT TECHNOLOGY
THE LATEST IN CIRCUIT TECHNOLOGY



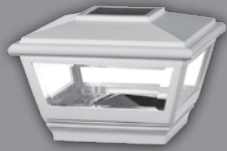
HAND MADE STAINED GLASS AND PLATED METAL TOP OPTIONS
MADE IN USA QUALITY PVC AND ASA MATERIAL
AESTHETICALLY PLEASING TAPERED FRAME
MATCH WITH WAYPOINT® STYLE TOPS AND/OR LOW VOLTAGE LIGHTING
*BATTERY ACCESS TO STAINED GLASS TOPS IS EVEN EASIER! SIMPLY LIFT UP ON SOLAR COLLECTOR.

Waymark is a registered trademark of Waymark Products, LLC. Waypoint is an registered trademark of Waymark Products, LLC.

GORILLA™ LIGHTING, SOLAR-LOW VOLTAGE-TOPS

WAYPOINT® Solar Post Cap Lighting - White, Black, Copper and Stainless Top

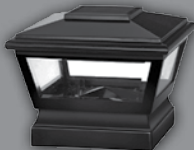
4" WAYPOINT® SOLAR LIGHT



DIMENSIONS: 4" x 4" x 4 3/4" H
 AVAILABLE 3.5" ADAPTER WILL ATTACH TO PVC,
 WOOD, METAL
BOX QTY: 12
BOX WEIGHT: 21 LBS.

Stock Colors & Part Numbers:
 WhiteSLWHWH4W - (Shown)
 BlackSLBKBK4BK
 Tan.....SLTT4T
 Adobe.....SLAA4A

5" WAYPOINT® SOLAR LIGHT

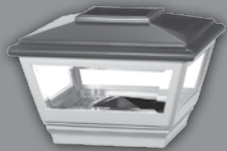


DIMENSIONS: 5" x 5" x 5 1/4" H

BOX QTY: 12
BOX WEIGHT: 22 LBS.

Stock Colors & Part Numbers:
 WhiteSLWHWH5W
 BlackSLBKBK5BK - (Shown)
 Tan.....SLTT5T
 Adobe.....SLAA5A

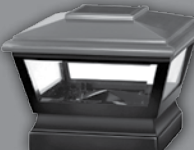
4" COPPER TOP WAYPOINT® SOLAR LIGHT



DIMENSIONS: 4" x 4" x 4 3/4" H
 AVAILABLE 3.5" ADAPTER WILL ATTACH TO PVC,
 WOOD, METAL
BOX QTY: 12
BOX WEIGHT: 21 LBS.

Stock Colors & Part Numbers:
 WhiteSLCOPWH4W - (Shown)
 BlackSLCOPBK4BK
 Tan.....SLCOPT4T
 Adobe.....SLCOPA4A

5" COPPER TOP WAYPOINT® SOLAR LIGHT

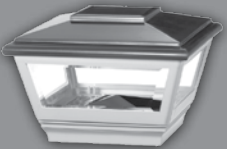


DIMENSIONS: 5" x 5" x 5 1/4" H

BOX QTY: 12
BOX WEIGHT: 22 LBS.

Stock Colors & Part Numbers:
 WhiteSLCOPWH5W
 BlackSLCOPBK5BK - (Shown)
 Tan.....SLCOPT5T
 Adobe.....SLCOPA5A

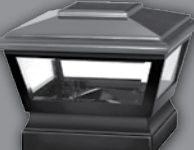
4" STAINLESS TOP WAYPOINT® SOLAR LIGHT



DIMENSIONS: 4" x 4" x 4 3/4" H
 AVAILABLE 3.5" ADAPTER WILL ATTACH TO PVC,
 WOOD, METAL
BOX QTY: 12
BOX WEIGHT: 21 LBS.

Stock Colors & Part Numbers:
 WhiteSLSTNWH4W - (Shown)
 BlackSLSTNBK4BK
 Tan.....SLSTNT4T
 Adobe.....SLSTNA4A

5" STAINLESS TOP WAYPOINT® SOLAR LIGHT



DIMENSIONS: 5" x 5" x 5 1/4" H

BOX QTY: 12
BOX WEIGHT: 22 LBS.

Stock Colors & Part Numbers:
 WhiteSLSTNWH5W
 BlackSLSTNBK5BK - (Shown)
 Tan.....SLSTNT5T
 Adobe.....SLSTNA5A

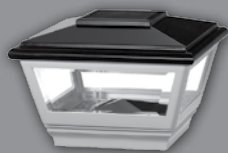
SIMPLY PULL UP ON THE SOLAR COLLECTOR FOR BATTERY ACCESS,
 NO NEED TO REMOVE ENTIRE LIGHT!

Gorilla™ is a trademark of Homeland Vinyl Products, Inc. Waymark is a registered trademark of Waymark Products, LLC.
 Waypoint is an registered trademark of Waymark Products, LLC.

GORILLA™ LIGHTING, SOLAR-LOW VOLTAGE-TOPS

WAYPOINT® Solar Post Cap Lighting - Black, Pearl Top and Chestnut

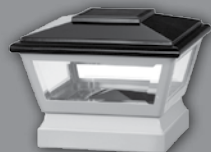
4" BLACK TOP WAYPOINT® SOLAR LIGHT WITH WHITE BASE



DIMENSIONS: 4" x 4" x 4 3/4" H
 AVAILABLE 3.5" ADAPTER WILL ATTACH TO PVC,
 WOOD, METAL
BOX QTY: 12
BOX WEIGHT: 21 LBS.

Stock Colors & Part Numbers:
 WhiteSLBKWH4W - (Shown)
 Tan.....SLBKT4T
 Adobe.....SLBKA4A

5" BLACK TOP WAYPOINT® SOLAR LIGHT WITH WHITE BASE



DIMENSIONS: 5" x 5" x 5 1/4" H

BOX QTY: 12
BOX WEIGHT: 22 LBS.

Stock Colors & Part Numbers:
 WhiteSLBKWH5W - (Shown)
 Tan.....SLBKT5T
 Adobe.....SLBKA5A

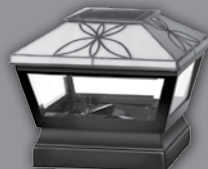
4" PEARL TOP WAYPOINT® SOLAR LIGHT WITH WHITE BASE



DIMENSIONS: 4" x 4" x 5" H
 AVAILABLE 3.5" ADAPTER WILL ATTACH TO PVC,
 WOOD, METAL
BOX QTY: 12
BOX WEIGHT: 25 LBS.

Stock Colors & Part Numbers:
 WhiteSLPRLWH4W - (Shown)
 Black.....SLPRLBK4BK
 Tan.....SLPRLT4T
 Adobe.....SLPRLA4A

5" PEARL TOP WAYPOINT® SOLAR LIGHT WITH BLACK BASE

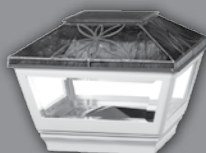


DIMENSIONS: 5" x 5" x 5 1/2" H

BOX QTY: 12
BOX WEIGHT: 26 LBS.

Stock Colors & Part Numbers:
 WhiteSLPRLWH5W
 Black.....SLPRLBK5BK- (Shown)
 Tan.....SLPRLT5T
 Adobe.....SLPRLA5A

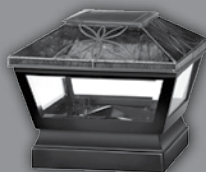
4" CHESTNUT TOP WAYPOINT® SOLAR LIGHT W/ WHITE BASE



DIMENSIONS: 4" x 4" x 5" H
 AVAILABLE 3.5" ADAPTER WILL ATTACH TO PVC,
 WOOD, METAL
BOX QTY: 12
BOX WEIGHT: 25 LBS.

Stock Colors & Part Numbers:
 WhiteSLCSTWH4W - (Shown)
 Black.....SLCSTBK4BK
 Tan.....SLCSTT4T
 Adobe.....SLCSTA4A

5" CHESTNUT TOP WAYPOINT® SOLAR LIGHT W/ BLACK BASE



DIMENSIONS: 5" x 5" x 5 1/4" H

BOX QTY: 12
BOX WEIGHT: 26 LBS.

Stock Colors & Part Numbers:
 WhiteSLCSTWH5W
 Black.....SLCSTBK5BK- (Shown)
 Tan.....SLCSTT5T
 Adobe.....SLCSTA5A

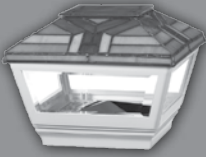
SIMPLY PULL UP ON THE SOLAR COLLECTOR FOR BATTERY ACCESS,
 NO NEED TO REMOVE ENTIRE LIGHT!

Gorilla™ is a trademark of Homeland Vinyl Products, Inc. Waymark is a registered trademark of Waymark Products, LLC.
 Waypoint is an registered trademark of Waymark Products, LLC.

GORILLA™ LIGHTING, SOLAR-LOW VOLTAGE-TOPS

WAYPOINT® Solar Post Cap Lighting - Forest, Harvest and Sunflower Top

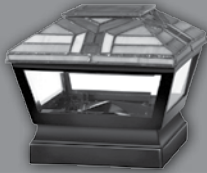
4" FOREST TOP WAYPOINT® SOLAR LIGHT W/ WHITE BASE



DIMENSIONS: 4" x 4" x 5" H
 AVAILABLE 3.5" ADAPTER WILL ATTACH TO PVC,
 WOOD, METAL
BOX QTY: 12
BOX WEIGHT: 25 LBS.

Stock Colors & Part Numbers:
 White SLFORWH4W - (Shown)
 Black SLFORBK4BK
 Tan..... SLFORT4T
 Adobe SLFORA4A

5" FOREST TOP WAYPOINT® SOLAR LIGHT W/ BLACK BASE

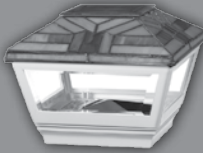


DIMENSIONS: 5" x 5" x 5 1/4" H

BOX QTY: 12
BOX WEIGHT: 26 LBS.

Stock Colors & Part Numbers:
 White SLFORWH5W
 Black SLFORBK5BK - (Shown)
 Tan..... SLFORT5T
 Adobe SLFORA5A

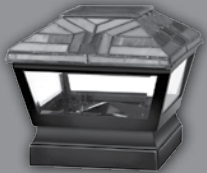
4" HARVEST TOP WAYPOINT® SOLAR LIGHT W/ WHITE BASE



DIMENSIONS: 4" x 4" x 5" H
 AVAILABLE 3.5" ADAPTER WILL ATTACH TO PVC,
 WOOD, METAL
BOX QTY: 12
BOX WEIGHT: 25 LBS.

Stock Colors & Part Numbers:
 White SLHARWH4W - (Shown)
 Black SLHARBK4BK
 Tan..... SLHART4T
 Adobe SLHARA4A

5" HARVEST TOP WAYPOINT® SOLAR LIGHT W/ BLACK BASE



DIMENSIONS: 5" x 5" x 5 1/4" H

BOX QTY: 12
BOX WEIGHT: 26 LBS.

Stock Colors & Part Numbers:
 White SLHARWH5W
 Black SLHARBK5BK - (Shown)
 Tan..... SLHART5T
 Adobe SLHARA5A

4" SUNFLOWER TOP WAYPOINT® SOLAR LIGHT W/ WHITE BASE



DIMENSIONS: 4" x 4" x 5" H
 AVAILABLE 3.5" ADAPTER WILL ATTACH TO PVC,
 WOOD, METAL
BOX QTY: 12
BOX WEIGHT: 25 LBS.

Stock Colors & Part Numbers:
 White SLSNFWH4W - (Shown)
 Black SLSNFBK4BK
 Tan..... SLSNFT4T
 Adobe SLSNFA4A

5" SUNFLOWER TOP WAYPOINT® SOLAR LIGHT W/ BLACK BASE



DIMENSIONS: 5" x 5" x 5 1/4" H

BOX QTY: 12
BOX WEIGHT: 26 LBS.

Stock Colors & Part Numbers:
 White SLSNFWH5W
 Black SLSNFBK5BK - (Shown)
 Tan..... SLSNFT5T
 Adobe SLSNFA5A

SIMPLY PULL UP ON THE SOLAR COLLECTOR FOR BATTERY ACCESS,
 NO NEED TO REMOVE ENTIRE LIGHT!

Gorilla™ is a trademark of Homeland Vinyl Products, Inc. Waymark is a registered trademark of Waymark Products, LLC.
 Waypoint is an registered trademark of Waymark Products, LLC.

GORILLA™ LIGHTING, SOLAR-LOW VOLTAGE-TOPS

WAYPOINT® Solar Post Cap Lighting - Grape Top, Harbor, Circuits, Adapter, Batteries

4" GRAPE TOP WAYPOINT® SOLAR LIGHT W/ WHITE BASE



DIMENSIONS: 4" x 4" x 5" H
AVAILABLE 3.5" ADAPTER WILL ATTACH TO PVC, WOOD, METAL
BOX QTY: 12
BOX WEIGHT: 25 LBS.

Stock Colors & Part Numbers:
 WhiteSLGRPWH4W - (Shown)
 BlackSLGRPBK4BK
 Tan.....SLGRPT4T
 Adobe.....SLGRPA4A

5" GRAPE TOP WAYPOINT® SOLAR LIGHT W/ BLACK BASE



DIMENSIONS: 5" x 5" x 5 1/4" H
BOX QTY: 12
BOX WEIGHT: 26 LBS.

Stock Colors & Part Numbers:
 WhiteSLGRPWH5W
 BlackSLGRPBK5BK - (Shown)
 Tan.....SLGRPT5T
 Adobe.....SLGRPA5A

REPLACEMENT CIRCUIT FOR SOLID COLOR TOPS (NOT METAL)



FITS 4" AND 5" TOP
BOX QTY: 1

PART NUMBER: C-0113225
FITS 4" AND 5" SOLAR LIGHTS.
CIRCUIT IS REPLACED FROM UNDERSIDE OF COLOR TOPS

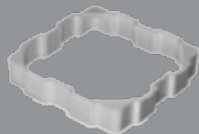
REPLACEMENT CIRCUIT FOR STAINED GLASS TOPS



FITS 4" AND 5" TOP
BOX QTY: 1

PART NUMBER: C-134077
FITS 4" AND 5" SOLAR LIGHTS.
CIRCUIT IS REPLACED FROM TOP OF STAINED GLASS TOPS

3-1/2" SOLAR LIGHT ADAPTER



DIMENSIONS: 3 1/2" x 3 1/2"
BOX QTY: 1

PART NUMBER: SL35ADPTW
STOCK COLORS: WHITE
CUSTOM COLORS AVAILABLE: YES
FITS 4" TAPERED STYLE LIGHT

AA RECHARGEABLE BATTERIES



FITS ALL SOLAR CIRCUITS
BOX QTY: 50

PART NUMBER: C-215700
AA NICAD BATTERIES
WHEN REPLACING BATTERIES, MAKE SURE YOU INSTALL IN THE CORRECT ORIENTATION.

SIMPLY PULL UP ON THE SOLAR COLLECTOR FOR BATTERY ACCESS, NO NEED TO REMOVE ENTIRE LIGHT!

Gorilla™ is a trademark of Homeland Vinyl Products, Inc. Waymark is a registered trademark of Waymark Products, LLC. Waypoint is an registered trademark of Waymark Products, LLC.



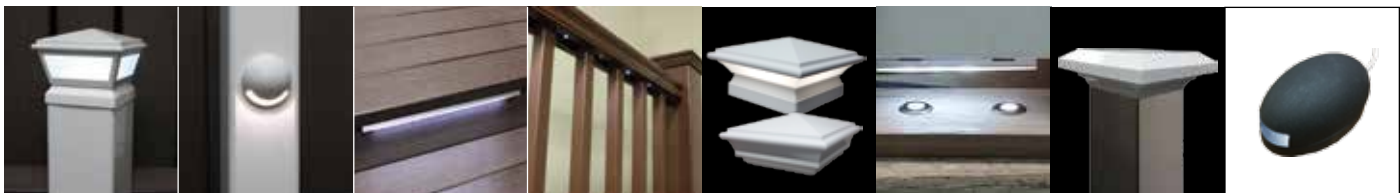
Low Voltage Lighting, High Margin Sales, No Electrician Needed for Low Voltage Wiring!

WAYMARK ACCESSORIES

The NEW Waypoint® Low Voltage Lighting System from Waymark® is easy to install using our innovative weather resistant connectors! Most components† have both a male and female end allowing you to plug one into the next and so on creating an easy to wire daisy chain lighting system.

Waymark® offers components for posts, decks, rails, stairs and fences as well as extension cords, junction boxes, transformers and splitters to complete your custom installation. No low voltage system is easier to install than Waypoint® Lighting by Waymark®!

Female end shown with plug for weather resistant seal.



POST CAP
4" & 5"

POST SCONCE

24" STRIP LIGHT
INSTALLS UNDER STEPS

STAR BRIGHT
IN RAIL LIGHTING

POST CAP SLIM
4" & 5"

DECK STAR-BRIGHT MAX

POST CAPS
METAL RAILS

SCONCE FOR
METAL POSTS

Waymark is a registered trademark of Waymark Products, LLC. Waypoint is an registered trademark of Waymark Products, LLC.
† 24" light strip only has a male end and does not connect to another component.

GORILLA™ LIGHTING, SOLAR-LOW VOLTAGE-TOPS

WAYPOINT® Low Voltage Post Cap Lighting - White, Black, Copper and Bronze Top

4" WHITE WAYPOINT® LOW VOLTAGE LIGHT



DIMENSIONS: 4" x 4" x 4 7/8" H
 AVAILABLE 3.5" ADAPTER WILL ATTACH TO PVC,
 WOOD, METAL
BOX QTY: 12
BOX WEIGHT: 21 LBS.

Stock Colors & Part Numbers:
 White LVXWHWH4W - (Shown)
 Black LVXBK4BK
 Tan..... LVXTT4T
 Adobe..... LVXAA4A
CORD LENGTH: 8"
 New Weather Resistant Daisy Chain Plug System

5" BLACK WAYPOINT® LOW VOLTAGE LIGHT



DIMENSIONS: 5" x 5" x 5 1/4" H
BOX QTY: 12
BOX WEIGHT: 22 LBS.

Stock Colors & Part Numbers:
 White LVXWHWH5W
 Black LVXBK5BK - (Shown)
 Tan..... LVXTT5T
 Adobe..... LVXAA5A
CORD LENGTH: 8"
 New Weather Resistant Daisy Chain Plug System

4" COPPER TOP WAYPOINT® LOW VOLTAGE LIGHT W/ WHITE BASE



DIMENSIONS: 4" x 4" x 5" H
 AVAILABLE 3.5" ADAPTER WILL ATTACH TO PVC,
 WOOD, METAL
BOX QTY: 12
BOX WEIGHT: 21 LBS.

Stock Colors & Part Numbers:
 White LVXCOPWH4W - (Shown)
 Black LVXCOPBK4BK
 Tan..... LVXCOPT4T
 Adobe LVXCOPA4A
CORD LENGTH: 8"
 New Weather Resistant Daisy Chain Plug System

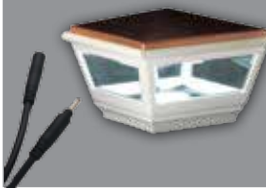
5" COPPER TOP WAYPOINT® LV LIGHT WITH BLACK BASE



DIMENSIONS: 5" x 5" x 5 3/8" H
BOX QTY: 12
BOX WEIGHT: 22 LBS.

Stock Colors & Part Numbers:
 White LVXCOPWH5W
 Black LVXCOPBK5BK - (Shown)
 Tan..... LVXCOPT5T
 Adobe LVXCOPA5A
CORD LENGTH: 8"
 New Weather Resistant Daisy Chain Plug System

4" BRONZE TOP WAYPOINT® LOW VOLTAGE LIGHT W/ WHITE BASE



DIMENSIONS: 4" x 4" x 5" H
 AVAILABLE 3.5" ADAPTER WILL ATTACH TO PVC,
 WOOD, METAL
BOX QTY: 12
BOX WEIGHT: 21 LBS.

Stock Colors & Part Numbers:
 White LVXBRZWH4W - (Shown)
 Black LVXBRZBK4BK
 Tan..... LVXBRZT4T
 Adobe LVXBRZA4A
CORD LENGTH: 8"
 New Weather Resistant Daisy Chain Plug System

5" BRONZE TOP WAYPOINT® LV LIGHT WITH BLACK BASE



DIMENSIONS: 5" x 5" x 5 3/8" H
BOX QTY: 12
BOX WEIGHT: 22 LBS.


Stock Colors & Part Numbers:
 White LVXBRZWH5W
 Black LVXBRZBK5BK - (Shown)
 Tan..... LVXBRZT5T
 Adobe LVXBRZA5A
CORD LENGTH: 8"
 New Weather Resistant Daisy Chain Plug System

Gorilla™ is a trademark of Homeland Vinyl Products, Inc. Waymark is a registered trademark of Waymark Products, LLC.
 Waypoint is an registered trademark of Waymark Products, LLC.

GORILLA™ LIGHTING, SOLAR-LOW VOLTAGE-TOPS

WAYPOINT® Low Voltage Post Cap Lighting - Stainless, Black and Pearl Top

4" STAINLESS TOP WAYPOINT® LV LIGHT W/ WHITE BASE



DIMENSIONS: 4" x 4" x 5" H
AVAILABLE 3.5" ADAPTER WILL ATTACH TO PVC, WOOD, METAL
BOX QTY: 12
BOX WEIGHT: 21 LBS.

Stock Colors & Part Numbers:
 White LVXSTNWH4W - (Shown)
 Black LVXSTNBK4BK
 Tan..... LVXSTNT4T
 Adobe..... LVXSTNA4A
CORD LENGTH: 8"
 New Weather Resistant Daisy Chain Plug System


5" STAINLESS TOP WAYPOINT® LV LIGHT W/ BLACK BASE



DIMENSIONS: 5" x 5" x 5 3/8" H
BOX QTY: 12
BOX WEIGHT: 22 LBS.

Stock Colors & Part Numbers:
 White LVXSTNWH5W
 Black LVXSTNBK5BK - (Shown)
 Tan..... LVXSTNT5T
 Adobe..... LVXSTNA5A
CORD LENGTH: 8"
 New Weather Resistant Daisy Chain Plug System


4" BLACK TOP WAYPOINT® LV LIGHT WITH WHITE BASE



DIMENSIONS: 4" x 4" x 5" H
AVAILABLE 3.5" ADAPTER WILL ATTACH TO PVC, WOOD, METAL
BOX QTY: 12
BOX WEIGHT: 21 LBS.

Stock Colors & Part Numbers:
 White LVXBKWH4W - (Shown)
 Tan..... LVXBKT4T
 Adobe..... LVXBKA4A
CORD LENGTH: 8"
 New Weather Resistant Daisy Chain Plug System


5" BLACK TOP WAYPOINT® LV LIGHT WITH WHITE BASE



DIMENSIONS: 5" x 5" x 5 3/8" H
BOX QTY: 12
BOX WEIGHT: 22 LBS.

Stock Colors & Part Numbers:
 White LVXBKWH5W - (Shown)
 Tan..... LVXBKT5T
 Adobe..... LVXBKA5A
CORD LENGTH: 8"
 New Weather Resistant Daisy Chain Plug System


4" PEARL TOP WAYPOINT® LV LIGHT WITH WHITE BASE



DIMENSIONS: 4" x 4" x 5" H
AVAILABLE 3.5" ADAPTER WILL ATTACH TO PVC, WOOD, METAL
BOX QTY: 12
BOX WEIGHT: 25 LBS.

Stock Colors & Part Numbers:
 White LVXPRLWH4W
 Black LVXPRLBK4BK - (Shown)
 Tan..... LVXPRLT4T
 Adobe LVXPRLA4A
CORD LENGTH: 8"
 New Weather Resistant Daisy Chain Plug System

5" PEARL TOP WAYPOINT® LV LIGHT WITH BLACK BASE



DIMENSIONS: 5" x 5" x 5 3/8" H
BOX QTY: 12
BOX WEIGHT: 26 LBS.

Stock Colors & Part Numbers:
 White LVXPRLWH5W
 Black LVXPRLBK5BK - (Shown)
 Tan..... LVXPRLT5T
 Adobe LVXPRLA5A
CORD LENGTH: 8"
 New Weather Resistant Daisy Chain Plug System

Gorilla™ is a trademark of Homeland Vinyl Products, Inc. Waymark is a registered trademark of Waymark Products, LLC. Waypoint is an registered trademark of Waymark Products, LLC.

GORILLA™ LIGHTING, SOLAR-LOW VOLTAGE-TOPS

WAYPOINT® Low Voltage Post Cap Lighting - Chestnut, Forest, and Harvest Top

4" CHESTNUT TOP WAYPOINT® LV LIGHT W/ WHITE BASE



DIMENSIONS: 4" x 4" x 5" H
 AVAILABLE 3.5" ADAPTER WILL ATTACH TO PVC,
 WOOD, METAL
BOX QTY: 12
BOX WEIGHT: 25 LBS.

Stock Colors & Part Numbers:
 White LVXCSTWH4W - (Shown)
 Black LVXCSTBK4BK
 Tan..... LVXCST4T
 Adobe..... LVXCSTA4A
CORD LENGTH: 8"
 New Weather Resistant Daisy Chain Plug System

5" CHESTNUT TOP WAYPOINT® LV LIGHT W/ BLACK BASE



DIMENSIONS: 5" x 5" x 5 3/8" H
BOX QTY: 12
BOX WEIGHT: 26 LBS.

Stock Colors & Part Numbers:
 White LVXCSTWH5W
 Black LVXCSTBK5BK - (Shown)
 Tan..... LVXCST5T
 Adobe..... LVXCSTA5A
CORD LENGTH: 8"
 New Weather Resistant Daisy Chain Plug System

4" FOREST TOP WAYPOINT® LV LIGHT W/ WHITE BASE



DIMENSIONS: 4" x 4" x 5" H
 AVAILABLE 3.5" ADAPTER WILL ATTACH TO PVC,
 WOOD, METAL
BOX QTY: 12
BOX WEIGHT: 25 LBS.

Stock Colors & Part Numbers:
 White LVXFORWH4W - (Shown)
 Black LVXFORBK4BK
 Tan..... LVXFORT4T
 Adobe..... LVXFORA4A
CORD LENGTH: 8"
 New Weather Resistant Daisy Chain Plug System

5" FOREST TOP WAYPOINT® LV LIGHT W/ BLACK BASE



DIMENSIONS: 5" x 5" x 5 3/8" H
BOX QTY: 12
BOX WEIGHT: 26 LBS.

Stock Colors & Part Numbers:
 White LVXFORWH5W
 Black LVXFORBK5BK - (Shown)
 Tan..... LVXFORT5T
 Adobe..... LVXFORA5A
CORD LENGTH: 8"
 New Weather Resistant Daisy Chain Plug System

4" HARVEST TOP WAYPOINT® LV LIGHT W/ WHITE BASE



DIMENSIONS: 4" x 4" x 5" H
 AVAILABLE 3.5" ADAPTER WILL ATTACH TO PVC,
 WOOD, METAL
BOX QTY: 12
BOX WEIGHT: 25 LBS.

Stock Colors & Part Numbers:
 White LVXHARWH4W - (Shown)
 Black LVXHARBK4BK
 Tan..... LVXHART4T
 Adobe..... LVXHARA4A
CORD LENGTH: 8"
 New Weather Resistant Daisy Chain Plug System

5" HARVEST TOP WAYPOINT® LV LIGHT W/ BLACK BASE



DIMENSIONS: 5" x 5" x 5 3/8" H
BOX QTY: 12
BOX WEIGHT: 26 LBS.


Stock Colors & Part Numbers:
 White LVXHARWH5W
 Black LVXHARBK5BK - (Shown)
 Tan..... LVXHART5T
 Adobe..... LVXHARA5A
CORD LENGTH: 8"
 New Weather Resistant Daisy Chain Plug System

Gorilla™ is a trademark of Homeland Vinyl Products, Inc. Waymark is a registered trademark of Waymark Products, LLC.
 Waypoint is a registered trademark of Waymark Products, LLC.

GORILLA™ LIGHTING, SOLAR-LOW VOLTAGE-TOPS

WAYPOINT® Low Voltage Post Cap Lighting - Sunflower and Grape Top


4" SUNFLOWER TOP WAYPOINT® LV LIGHT W/ WHITE BASE



DIMENSIONS: 4" x 4" x 5" H
 AVAILABLE 3.5" ADAPTER WILL ATTACH TO PVC, WOOD, METAL
BOX QTY: 12
BOX WEIGHT: 25 LBS.

Stock Colors & Part Numbers:
 WhiteLVXSNFWH4W - (Shown)
 BlackLVXSNFBK4BK
 Tan.....LVXSNFT4T
 Adobe.....LVXSNFA4A
CORD LENGTH: 8"
 New Weather Resistant Daisy Chain Plug System


5" SUNFLOWER TOP WAYPOINT® LV LIGHT W/ BLACK BASE



DIMENSIONS: 5" x 5" x 5 3/8" H
BOX QTY: 12
BOX WEIGHT: 26 LBS.

Stock Colors & Part Numbers:
 WhiteLVXSNFWH5W
 BlackLVXSNFBK5BK - (Shown)
 Tan.....LVXSNFT5T
 AdobeLVXSNFA5A
CORD LENGTH: 8"
 New Weather Resistant Daisy Chain Plug System


4" GRAPE TOP WAYPOINT® LV LIGHT W/ WHITE BASE



DIMENSIONS: 4" x 4" x 5" H
 AVAILABLE 3.5" ADAPTER WILL ATTACH TO PVC, WOOD, METAL
BOX QTY: 12
BOX WEIGHT: 25 LBS.

Stock Colors & Part Numbers:
 WhiteLVXGRPWH4W - (Shown)
 BlackLVXGRPBK4BK
 Tan.....LVXGRPT4T
 AdobeLVXGRPA4A
CORD LENGTH: 8"
 New Weather Resistant Daisy Chain Plug System


5" GRAPE TOP WAYPOINT® LV LIGHT W/ BLACK BASE



DIMENSIONS: 5" x 5" x 5 3/8" H
BOX QTY: 12
BOX WEIGHT: 26 LBS.

Stock Colors & Part Numbers:
 WhiteLVXGRPWH5W
 BlackLVXGRPBK5BK - (Shown)
 Tan.....LVXGRPT5T
 AdobeLVXGRPA5A
CORD LENGTH: 8"
 New Weather Resistant Daisy Chain Plug System

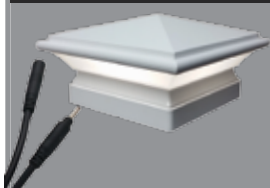
4" WAYPOINT® LV SLIM LIGHT W/ WHITE BASE



DIMENSIONS: 4" x 4" x 3" H
 AVAILABLE 3.5" ADAPTER WILL ATTACH TO PVC, WOOD, METAL
BOX QTY: 12
BOX WEIGHT: 25 LBS.

Stock Colors & Part Numbers:
 WhiteLVXWHSM4W - (Shown)
 BlackLVXWHSM4BK
 Tan.....LVXWHSM4T
 Adobe.....LVXWHSM4A
CORD LENGTH: 8"
 New Weather Resistant Daisy Chain Plug System

5" WAYPOINT® LV SLIM LIGHT W/ BLACK BASE



DIMENSIONS: 5" x 5" x 3 3/8" H
BOX QTY: 12
BOX WEIGHT: 26 LBS.

Stock Colors & Part Numbers:
 WhiteLVXWHSM5W - (Shown)
 BlackLVXWHSM5BK
 Tan.....LVXWHSM5T
 Adobe.....LVXWHSM5A
CORD LENGTH: 8"
 New Weather Resistant Daisy Chain Plug System

Gorilla™ is a trademark of Homeland Vinyl Products, Inc. Waymark is a registered trademark of Waymark Products, LLC.
 Waypoint is an registered trademark of Waymark Products, LLC.

GORILLA™ LIGHTING, SOLAR-LOW VOLTAGE-TOPS

WAYPOINT® Low Voltage Lighting - Frosted Glass, Strip Light, Sconce and Cable

BEVELED FROSTED GLASS



REPLACES CLEAR GLASS TO SOFTEN THE EFFECT.

PART NUMBER: C-814552
STOCK COLORS: N/A

BOX QTY: 12 SETS
BOX WEIGHT: 6 LBS.

4 PCS. OF GLASS PER SET.
REPLACES GLASS IN LOW VOLTAGE LIGHTS.

STAR BRIGHT STAIR RISER, HOOD DIRECTS LIGHT DOWN



DIAMETER: 1/2"
CORD LENGTH: 12"
DRILL HOLE SIZE TO: 15/16" IN VINYL
DRILL HOLE SIZE TO: 1" IN WOOD/COMPOSITE

PART NUMBER: LVX125SRBK

BOX QTY: 25 (5 PER BAG)
BOX WEIGHT: 2 LBS.

CONNECTS TO A JUNCTION BOX, EXTENSION CORD OR DAISY CHAIN
ONLY USES .26W

STAR BRIGHT MAX LOW VOLTAGE DECK LIGHT



DIAMETER: 1/2"
CORD LENGTH: 12"
DRILL HOLE SIZE TO: 15/16" IN VINYL
DRILL HOLE SIZE TO: 1" IN WOOD/COMPOSITE

PART NUMBER: LV125MAX
INCLUDES BLACK AND BRONZE TRIM RING

BOX QTY: 25 (5 PER BAG)
BOX WEIGHT: 2 LBS.

CONNECTS TO A JUNCTION BOX, EXTENSION CORD OR DAISY CHAIN
ONLY USES .26W

STAR BRIGHT LOW VOLTAGE FLUSH MOUNT LIGHT



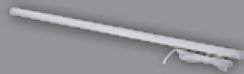
DIAMETER: 1/2"
CORD LENGTH: 12"
DRILL HOLE SIZE TO: 5/16"
BOX QTY: 25 (5 PER BAG)
BOX WEIGHT: 2 LBS.

PART NUMBER: LVX38MINI
STOCK COLORS: N/A

ALSO CAN BE USED ON METAL!

CONNECTS TO A JUNCTION BOX, EXTENSION CORD OR DAISY CHAIN
ONLY USES .3W

24" LOW VOLTAGE STRIP LIGHT



DIMENSIONS: 24" L
CORD LENGTH: 75"

PART NUMBER: LV2STRIP
LIGHT STAIR TREADS OR RAILING SECTIONS

ALSO CAN BE USED ON METAL!

BOX QTY: 6
BOX WEIGHT: 2 LBS.

CONNECTS TO A JUNCTION BOX OR EXTENSION CORD
ONLY USES 1.58W

LOW VOLTAGE SCONCE LIGHT



DIAMETER: 2 3/4"
CORD LENGTH: 33"

PART NUMBER: LVX234SC + W, BK, BRZ
STOCK COLORS: WHITE, BLACK, BRONZE

BOX QTY: 2
BOX WEIGHT: 1 LBS.

CONNECTS TO A JUNCTION BOX OR EXTENSION CORD
ONLY USES .53W

Gorilla™ is a trademark of Homeland Vinyl Products, Inc. Waymark is a registered trademark of Waymark Products, LLC. Waypoint is a registered trademark of Waymark Products, LLC.

GORILLA™ LIGHTING, SOLAR-LOW VOLTAGE-TOPS

WAYPOINT® Low Voltage Lighting - Cable, Splitter, Transformer, Junction Box and Wiring

36" EXTENSION CABLE



DIMENSIONS: 36"

PART NUMBER: LVX3EXT
STOCK COLORS: N/A

BOX QTY: 25
BOX WEIGHT: 1 LBS.

REACH REMOTE LIGHTING LOCATIONS FROM
YOUR LAST POWER SOURCE

108" EXTENSION CABLE



DIMENSIONS: 108"

PART NUMBER: LVX9EXT
STOCK COLORS: N/A

BOX QTY: 25
BOX WEIGHT: 3 LBS.

REACH REMOTE LIGHTING LOCATIONS FROM
YOUR LAST POWER SOURCE

2 IN 1 SPLITTER



DIMENSIONS:
3 Female ends / 1 Male end
24" Long

PART NUMBER: LVX221SPLIT
STOCK COLORS: N/A

BOX QTY: 25
BOX WEIGHT: 2 LBS.

REACH REMOTE LIGHTING LOCATIONS FROM
YOUR LAST POWER SOURCE
REDUCES THE NEED FOR EXTRA WIRES.

120 WATT LOW VOLTAGE TRANSFORMER



DIMENSIONS: N/A
RUN 16 GAUGE WIRE FROM TRANSFORMER TO
FIRST JUNCTION BOX

PART NUMBER: LV120TRANSA
STOCK COLORS: N/A

BOX QTY: 1
BOX WEIGHT: 4 LBS.

12V AC TRANSFORMER
PLUGS INTO ANY STANDARD 110V OUTLET
TIMER HAS DIGITAL FUNCTIONS

4 OUTLET JUNCTION BOX

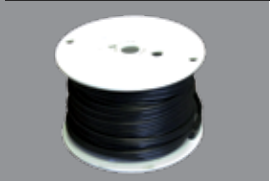


DIMENSIONS: 2 7/8" x 5/8" H

PART NUMBER: LVX4CON
STOCK COLORS: N/A
CONNECT UP TO 4 LIGHTS TO EACH JUNCTION
BOX
TOTAL CONNECT PER JUNCTION BOX IS UP TO
40W. 12W PER LINE

BOX QTY: 24
BOX WEIGHT: 1 LBS.

16 GAUGE LOW VOLTAGE WIRING



DIMENSIONS: 100'

PART NUMBER: LV100WR
STOCK COLORS: N/A


BOX QTY: 1
BOX WEIGHT: 5 LBS.


WIRE RUNS FROM TRANSFORMER TO EACH
JUNCTION BOX

Gorilla™ is a trademark of Homeland Vinyl Products, Inc. Waymark is a registered trademark of Waymark Products, LLC.
Waypoint is a registered trademark of Waymark Products, LLC.

GORILLA™ LIGHTING, SOLAR-LOW VOLTAGE-TOPS

WAYPOINT® Low Voltage Lighting For Metal Fence

LOW VOLTAGE LIGHT FOR METAL		
	<p>DIMENSIONS: 2.5" x 2.5"</p>	<p>PART NUMBER: LVX25PL + W, BK, BKX</p> <p>STOCK COLORS: WHITE, BLACK, TEXTURED BLACK</p>
	<p>BOX QTY: 12</p> <p>BOX WEIGHT: 11 LBS</p>	<p>12 LED, 300mm</p> <p>CORD LENGTH: 8"</p> <p>New Weather Resistant Daisy Chain Plug System</p>

LOW VOLTAGE SCNCE FOR METAL		
	<p>DIMENSIONS: Oval</p>	<p>PART NUMBER: LVXOVSC + BK, BKX</p> <p>STOCK COLORS: BLACK, TEXTURED BLACK</p>
	<p>BOX QTY: 45</p> <p>BOX WEIGHT: 7 LBS</p>	<p>CORD LENGTH: 8"</p> <p>New Weather Resistant Daisy Chain Plug System</p>

PERFECT FIT & MATCH • PERFECT FIT & MATCH • PERFECT FIT & MATCH •
• PERFECT FIT & MATCH • PERFECT FIT & MATCH • PERFECT FIT & I
& MATCH • PERFECT FIT & MATCH • PERFECT FIT & MATCH • PERFE
PERFECT FIT & MATCH • PERFECT FIT & MATCH • PERFECT FIT & MATC
PERFECT FIT & MATCH • PERFECT FIT & MATCH • PERFECT FIT & MATCH
• PERFECT FIT & MATCH • PERFECT FIT & MATCH • PERFECT FIT & I
& MATCH • PERFECT FIT & MATCH • PERFECT FIT & MATCH • PERFE



GORILLA® COLUMN

PROFILES & ACCESSORIES

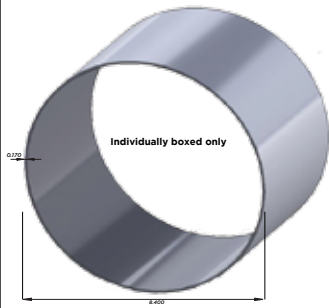
Shown:
8.40" Round Column
#TD84 (0.170 wall)



Gorilla® is a registered trademark of Homeland Vinyl Products, Inc.

GORILLA® COLUMNS

P75

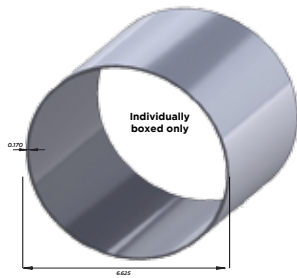


TD84 (0.170 wall)
8.40" Round Column
Pcs/Box: 1
Boxes/Skid: 10

Refer to Commodity Sheet for box costs.
SOLD IN SKID QUANTITIES ONLY
AL - 9'

LIMITED AVAILABILITY.
RUN ONLY ONCE OR TWICE
YEARLY.

W=White, T=Tan, D=Adobe



6.625" ROUND COLUMN

P75

TD64 (0.170 wall)
6.625" Round Column
Pcs/Box: 1
Boxes/Skid: 20

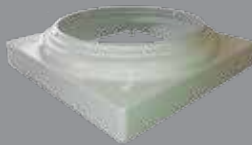
Refer to Commodity Sheet for box costs.
SOLD IN SKID QUANTITIES ONLY
AL - 9'

LIMITED AVAILABILITY.
RUN ONLY ONCE OR TWICE
YEARLY.

W=White, T=Tan, D=Adobe

Bagging options available for 6"x6", 5"x5", and 4"x4" in truck load quantities. See Made To Order Guidelines.
 Availability and profile dimensions are subject to change without notice. Check with manufacturer before ordering.
 All dimensions are subject to manufacturer's tolerances. Gorilla® is a registered trademark of Homeland Vinyl Products, Inc.

8.4" ROUND COLUMN BASE



DIMENSIONS: 8" x 8"

PART NUMBER: TC85RCW01- WHITE
 TC85RCT01- TAN
 TC85RD01- ADOBE

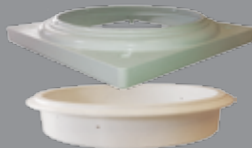
BOX QTY: 1
 BOX WEIGHT: 2 LBS.

STOCK COLORS: WHITE, TAN, ADOBE

MOUNTS AN 8.4" ROUND COLUMN

**DROP
SHIP
ONLY**

8.4" ROUND COLUMN BASE WITH UPLIFT KIT



DIMENSIONS: 8" x 8"

PART NUMBER: TC85BRW01-WHITE
 TC85BRT01-TAN
 TC85BRD01-ADOBE

BOX QTY: 1
 BOX WEIGHT: 2.5 LBS.

STOCK COLORS: WHITE, TAN, ADOBE

MOUNTS AN 8.4" ROUND COLUMN

**DROP
SHIP
ONLY**

PERFECT FIT & MATCH • PERFECT FIT & MATCH • PERFECT FIT & MATCH •
• PERFECT FIT & MATCH • PERFECT FIT & MATCH • PERFECT FIT & M
& MATCH • PERFECT FIT & MATCH • PERFECT FIT & MATCH • PERFE
PERFECT FIT & MATCH • PERFECT FIT & MATCH • PERFECT FIT & MATC
PERFECT FIT & MATCH • PERFECT FIT & MATCH • PERFECT FIT & MATCH
• PERFECT FIT & MATCH • PERFECT FIT & MATCH • PERFECT FIT & M
& MATCH • PERFECT FIT & MATCH • PERFECT FIT & MATCH • PERFE



GORILLA DECK®

PROFILES & ACCESSORIES

Shown
Gorilla Deck® G3
#F70E



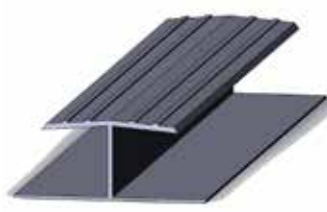
Gorilla® is a registered trademark of Homeland Vinyl Products, Inc.

DECK

GORILLA DECK[®], STARTER, SPLICE TRIM, FINISH TRIM

	GORILLA DECK[®] G3	Patent #6,324,796
	<p>F70E Gorilla Deck[®] G3</p> <p>Pcs/Pallet: 49 AL - 16', 20', 24'</p>	
<p>W=White, D=Adobe, O=Mocha Walnut, Y=Honey Maple, Q=Earl Gray, U=Green Teak</p>		

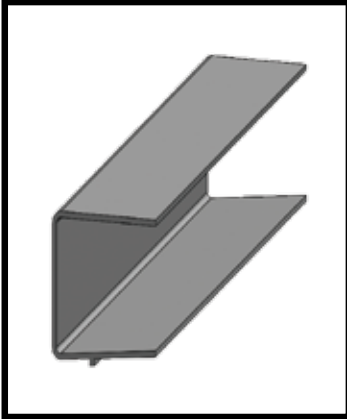
	GORILLA DECK[®] STARTER STRIP	
	<p>F73G Gorilla Deck[®] Starter Strip</p> <p>Pcs/Box: 24 AL - 12'6"</p>	
<p>W=White, D=Adobe, O=Mocha Walnut, Y=Honey Maple, Q=Earl Gray, U=Green Teak</p>		

	GORILLA DECK[®] SPLICE TRIM	
	<p>F74G Gorilla Deck[®] Splice Trim</p> <p>Pcs/box: 8 AL - 12'6"</p> <p>Use with Gorilla Deck only.</p>	
<p>W=White, D=Adobe, O=Mocha Walnut, Y=Honey Maple, Q=Earl Gray, U=Green Teak</p>		

Availability and profile dimensions are subject to change without notice. Check with manufacturer before ordering.
 All dimensions are subject to manufacturer's tolerances. Gorilla[®] is a registered trademark of Homeland Vinyl Products, Inc.

DECK

GORILLA DECK® , STARTER, SPLICE TRIM, FINISH TRIM



GORILLA DECK® FINISH TRIM

F75G
Gorilla Deck®
Finish Trim

Pcs/box: 20
AL - 12'6"

W=White, D=Adobe, O=Mocha Walnut,
Y=Honey Maple, Q=Earl Gray,
U=Green Teak

Availability and profile dimensions are subject to change without notice. Check with manufacturer before ordering.
All dimensions are subject to manufacturer's tolerances. Gorilla® is a registered trademark of Homeland Vinyl Products, Inc.

**DECK
FASCIA SYSTEM**

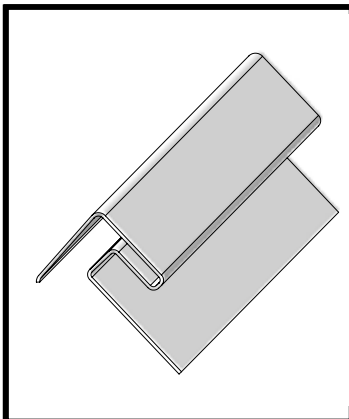


GORILLA DECK® FASCIA TRIM

F76G
Gorilla Deck®
Fascia Trim

Pcs/box: 24
AL - 12'6"

W=White, D=Adobe, O=Mocha Walnut,
Y=Honey Maple, Q=Earl Gray,
U=Green Teak



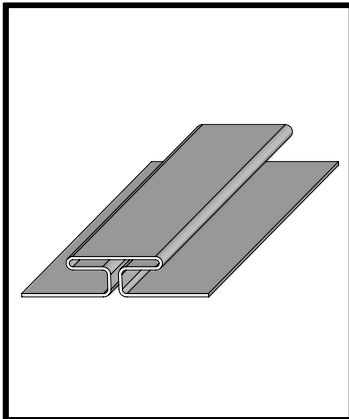
GORILLA DECK® FASCIA CORNER

Used with Gorilla® Wrap Inserts
(White Tan & Adobe Only)
See Page 79 or 112

F79G
Gorilla Deck®
Fascia Corner

Pcs/box: 20
AL - 13"

W=White, D=Adobe, O=Mocha Walnut,
Y=Honey Maple, Q=Earl Gray,
U=Green Teak



GORILLA DECK® FASCIA SPLICE

Used with Gorilla® Wrap Inserts
(White Tan & Adobe Only)
See Page 79 or 112

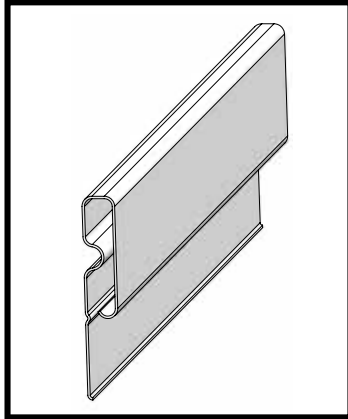
F78G
Gorilla Deck®
Fascia Splice

Pcs/box: 20
AL - 13"

W=White, D=Adobe, O=Mocha Walnut,
Y=Honey Maple, Q=Earl Gray,
U=Green Teak

Availability and profile dimensions are subject to change without notice. Check with manufacturer before ordering.
All dimensions are subject to manufacturer's tolerances. Gorilla® is a registered trademark of Homeland Vinyl Products, Inc.

DECK FASCIA SYSTEM



GORILLA DECK® FASCIA ADAPTER

Used with Gorilla® Wrap Inserts
(White Tan & Adobe Only)
See Page 79 or 112

F77G
Gorilla Deck®
Fascia Adapter







Pcs/box: 20
AL - 10'

W=White, D=Adobe, O=Mocha Walnut,
Y=Honey Maple, Q=Earl Gray,
U=Green Teak

Availability and profile dimensions are subject to change without notice. Check with manufacturer before ordering.
All dimensions are subject to manufacturer's tolerances. Gorilla® is a registered trademark of Homeland Vinyl Products, Inc.

GORILLA® WRAP

8 Piece Gorilla Post Wraps

1-3/4" x 10' GORILLA® POST WRAP CORNER TRIM P79	
	<p>FMWC Gorilla® Wrap Corner</p> <p>AL - 10'</p> <p>WAYMARK PART NUMBER: W17510CRN + W, T, A STOCK COLORS: WHITE, TAN, ADOBE</p>
4" x 10' GORILLA® POST WRAP COVERAGE SLAT P79	
	<p>FMW4 4" Gorilla® Wrap Insert Covers sides of 3 1/4" to 4 1/4"</p> <p>AL - 10'</p> <p>WAYMARK PART NUMBER: W410SLAT + W, T, A STOCK COLORS: WHITE, TAN, ADOBE</p>
6" x 10' GORILLA® POST WRAP COVERAGE SLAT P79	
	<p>FMW6 6" Gorilla® Wrap Insert Covers sides of 5 1/4" to 6 1/4"</p> <p>AL - 10'</p> <p>WAYMARK PART NUMBER: W610SLAT + W, T, A STOCK COLORS: WHITE, TAN, ADOBE</p>
8" x 10' GORILLA® POST WRAP COVERAGE SLAT P79	
	<p>FMW8 8" Gorilla® Wrap Insert Covers sides of 7 1/4" to 8 1/4"</p> <p>AL - 10'</p> <p>WAYMARK PART NUMBER: W810SLAT + W, T, A STOCK COLORS: WHITE, TAN, ADOBE</p>
10" x 10' GORILLA® POST WRAP COVERAGE SLAT P79	
	<p>FMW0 10" Gorilla® Wrap Insert Covers sides of 9 1/4" to 10 1/4"</p> <p>AL - 10'</p> <p>WAYMARK PART NUMBER: W1010SLAT + W, T, A STOCK COLORS: WHITE, TAN, ADOBE</p>
12" x 10' GORILLA® POST WRAP COVERAGE SLAT P79	
	<p>FMW2 12" Gorilla® Wrap Insert Covers sides of 11 1/4" to 12 1/4"</p> <p>AL - 10'</p> <p>PART NUMBER: W1210SLAT + W, T, A STOCK COLORS: WHITE, TAN, ADOBE</p>

Availability and profile dimensions are subject to change without notice. Check with manufacturer before ordering.
All dimensions are subject to manufacturer's tolerances. Gorilla® is a registered trademark of Homeland Vinyl Products, Inc.

PERFECT FIT & MATCH • PERFECT FIT & MATCH • PERFECT FIT & MATCH • I
• PERFECT FIT & MATCH • PERFECT FIT & MATCH • PERFECT FIT & M
& MATCH • PERFECT FIT & MATCH • PERFECT FIT & MATCH • PERFE
PERFECT FIT & MATCH • PERFECT FIT & MATCH • PERFECT FIT & MATC
PERFECT FIT & MATCH • PERFECT FIT & MATCH • PERFECT FIT & MATCH
• PERFECT FIT & MATCH • PERFECT FIT & MATCH • PERFECT FIT & M
& MATCH • PERFECT FIT & MATCH • PERFECT FIT & MATCH • PERFE



GORILLA™ MOUNTS

PROFILES & ACCESSORIES

Shown:
38" SUMMIT® POST MOUNT
#PM384SM





SUMMIT® POST MOUNT SYSTEM

COMPONENT ATTRIBUTES:

ADJUSTABLE SOCKET:

- Plumb at the top of the post mount
- Attach socket to pipe
- Slide post sleeve over socket

SUMMIT® WRAP:

- Use bracket plate when attaching railing brackets
- Can be used for both 36" and 42" railing, one SKU for both heights
- "U" shaped insert fits over attached socket
- Slide post over mount
- Screw brackets to reinforced area

HEAVY GAUGE PIPE:

- Uses 1 7/8" OD pipe for every application
- Use heavy gauge pipe (SS40 or the equivalent) for code compliant railing
- Choose height and pipe gauge for your specific application: railing, fence, pergolas or arbors

DIE CAST BASE:



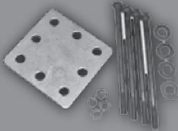

- Mounts to any surface
- No Shims
- Die Cast Zinc
- Solid connection to any decking or concrete surface



Waymark is a registered trademark of Waymark Products, LLC. Summit is an registered trademark of Waymark Products, LLC.

GORILLA™ MOUNTS -POST MOUNTS

Summit® Post Mount, Post Mount Components, Universal Hardware Kit

38" SUMMIT® POST MOUNT		
	<p>DIMENSIONS: 4" x 4" x 38" MOUNT BOTH 36" AND 42" RAILING HEIGHTS USE 3/8" FASTENERS - NOT INCLUDED</p>	<p>PART NUMBER: PM384SM STOCK COLORS: N/A</p>
	<p>BOX QTY: 1 BOX WEIGHT: 10.5 LBS. PALLET QTY: 75</p>	<p>ENTIRE KIT INCLUDES POST MOUNT BASE, 2 PIECE POST SOCKET AND SCREW, PIPE, SUMMIT™ WRAP</p>
SUMMIT® POST MOUNT BASE COMPONENT		
	<p>DIMENSIONS: 4" x 4" FOR USE WITH 1 7/8" PIPE USE 3/8" FASTENERS - NOT INCLUDED</p>	<p>PART NUMBER: PM178ZBASE STOCK COLORS: N/A</p>
	<p>BOX QTY: 18 BOX WEIGHT: 32 LBS.</p>	<p>MOUNTS TO DECK OR CONCRETE SURFACE EASILY AND ACCEPTS 1-7/8" OD PIPE OF VARIOUS LENGTHS TO INSTALL FENCE, RAILING OR OTHER OUTDOOR STRUCTURES.</p>
UNIVERSAL HARDWARE KIT		
	<p>DIMENSIONS: 4" x 4" PLATE</p>	<p>PART NUMBER: PMHARDKIT STOCK COLORS: N/A</p>
	<p>BOX QTY: 1 BOX WEIGHT: 5 LBS.</p>	<p>FOR USE WITH SUMMIT™ MOUNTS WHEN INSTALLING DECK APPLICATIONS</p>
SUMMIT® WRAP		
	<p>DIMENSIONS: 7 1/4" H FOR USE ON 4" POSTS EACH SIDE (3) IS 3 3/8" WIDE</p>	<p>PART NUMBER: PM44WRAP STOCK COLORS: N/A</p>
	<p>BOX QTY: 35 BOX WEIGHT: 5.5 LBS.</p>	<p>USE THIS PRODUCT WHEN ATTACHING BRACKETS OR HINGES FOR INCREASED FASTENER ENGAGEMENT</p>

Gorilla™ is a trademark of Homeland Vinyl Products, Inc. Waymark is a registered trademark of Waymark Products, LLC. Summit is an registered trademark of Waymark Products, LLC.

HOMELAND VINYL PRODUCTS, Inc.

18-067-M1116

Homeland Profiles: 800.999.6813 | www.Homelandvinyl.com | Waymark Accessories: 877-652-6118

GORILLA™ MOUNTS -POST MOUNTS

Post Sockets , Gorilla® Post Mounts

4" ADJUSTABLE 2-PIECE POST SOCKET - 1 7/8 PIPE



DIAMETER: 4"
SLEEVE USING 4" x 4" POST .135 WALL OR LESS

PART NUMBER: PS2PC4D178
STOCK COLORS: N/A

BOX QTY: 135
BOX WEIGHT: 34 LBS.

FOR USE WITH 1 7/8" OD STEEL PIPE.

5" ADJUSTABLE 2-PIECE POST SOCKET - 1 7/8 PIPE



DIAMETER: 5"
SLEEVE USING 5" x 5" POST .150 WALL OR LESS

PART NUMBER: PS2PC5D178
STOCK COLORS: N/A

BOX QTY: 100
BOX WEIGHT: 30 LBS.

FOR USE WITH 1 7/8" OD STEEL PIPE.

5" ADJUSTABLE 1-PIECE POST SOCKET - 1 7/8 PIPE



DIAMETER: 5"
SLEEVE USING 5" x 5" POST .150 WALL OR LESS

PART NUMBER: PS5DIAM
STOCK COLORS: N/A

BOX QTY: 100
BOX WEIGHT: 36 LBS.

FOR USE WITH 1 7/8" OD STEEL PIPE.

4" POST MOUNT WITH WINGS



DIMENSIONS: 4" x 4"

PART NUMBER: PM44WING
STOCK COLORS: N/A

BOX QTY: 34
BOX WEIGHT: 23 LBS.

ACCEPTS MOST WALL THICKNESSES

**DROP
SHIP
ONLY**

5" POST MOUNT WITH WINGS



DIMENSIONS: 5" x 5"

PART NUMBER: PM55WING
STOCK COLORS: N/A

BOX QTY: 26
BOX WEIGHT: 24 LBS.





ACCEPTS MOST WALL THICKNESSES

**DROP
SHIP
ONLY**

Gorilla™ is a trademark of Homeland Vinyl Products, Inc. Waymark is a registered trademark of Waymark Products, LLC.
Summit is an registered trademark of Waymark Products, LLC.

GORILLA™ MOUNTS -POST MOUNTS


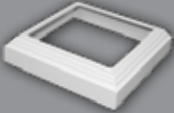
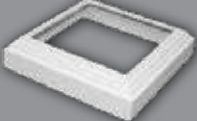

Gorilla® Post Mounts

4" GORILLA® POST MOUNT WITH HARDWARE			
	DIMENSIONS: 4" x 4"	PART NUMBER: PM44GORW STOCK COLORS: N/A	DROP SHIP ONLY
	BOX QTY: 1 BOX WEIGHT: 4 LBS.	INCLUDES HARDWARE AND TRIM RING ACCEPTS MOST WALL THICKNESSES	
4" GORILLA® POST MOUNT WITHOUT HARDWARE			
	DIMENSIONS: 4" x 4"	PART NUMBER: PM44GORWO STOCK COLORS: N/A	DROP SHIP ONLY
	BOX QTY: 9 BOX WEIGHT: 18 LBS.	ACCEPTS MOST WALL THICKNESSES	
5" GORILLA® POST MOUNT WITH HARDWARE			
	DIMENSIONS: 5" x 5"	PART NUMBER: PM55GORW STOCK COLORS: N/A	DROP SHIP ONLY
	BOX QTY: 1 BOX WEIGHT: 5 LBS.	INCLUDES HARDWARE AND TRIM RING ACCEPTS MOST WALL THICKNESSES	
5" GORILLA® POST MOUNT WITHOUT HARDWARE			
	DIMENSIONS: 5" x 5"	PART NUMBER: PM55GORWO STOCK COLORS: N/A	DROP SHIP ONLY
	BOX QTY: 6 BOX WEIGHT: 18 LBS.	ACCEPTS MOST WALL THICKNESSES	

Gorilla™ is a trademark of Homeland Vinyl Products, Inc. Gorilla® is a registered trademark of Homeland Vinyl Products, Inc. Waymark is a registered trademark of Waymark Products, LLC. Summit is an registered trademark of Waymark Products, LLC.

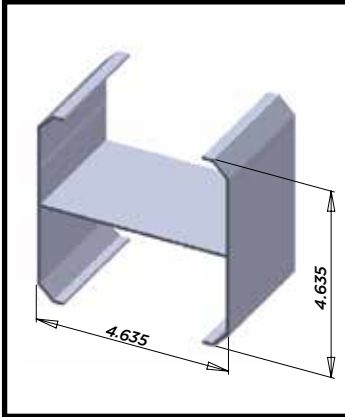
GORILLA™ MOUNTS -POST MOUNTS

Gorilla® Post Mount Trim & Hardware Kit

VINYL WEDGE COMPONENT FOR GORILLA® MOUNT		
	DIMENSIONS: 3" L x 1/4" H 1/4" IS AT HIGHEST POINT	PART NUMBER: WEDGE STOCK COLORS: N/A
	BOX QTY: 28 BOX WEIGHT: 3.5 LBS.	DROP SHIP ONLY
4" POST TRIM COMPONENT FOR GORILLA® MOUNT		
	DIMENSIONS: 4" x 4"	PART NUMBER: TR44GOR + W, T, A STOCK COLORS: WHITE, TAN, ADOBE
	BOX QTY: 39 BOX WEIGHT: 11 LBS.	DROP SHIP ONLY
5" POST TRIM COMPONENT FOR GORILLA® MOUNT		
	DIMENSIONS: 5" x 5"	PART NUMBER: TR55GOR + W, T, A STOCK COLORS: WHITE, TAN, ADOBE
	BOX QTY: 29 BOX WEIGHT: 10 LBS.	DROP SHIP ONLY
HARDWARE KIT FOR GORILLA® MOUNT		
	DIMENSIONS: 4" x 4" PLATE	PART NUMBER: PMGORHARDK STOCK COLORS: N/A
	BOX QTY: 1 BOX WEIGHT: 5.6 LBS.	INCLUDES 2 SHIMS, 2 MOUNTING PLATES, SCREWS, BOLTS AND ALL-THREAD ROD
DROP SHIP ONLY		

Gorilla™ is a trademark of Homeland Vinyl Products, Inc. Gorilla® is a registered trademark of Homeland Vinyl Products, Inc. Waymark is a registered trademark of Waymark Products, LLC. Summit is an registered trademark of Waymark Products, LLC.

INSERT STIFFENER ALUMINUM INSERT

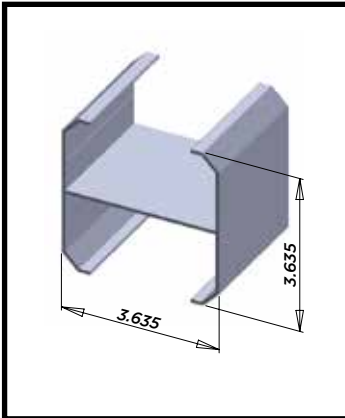


5" X 5" ALUMINUM INSERT

G10HA288-69243
5" x 5"

24' Lengths
Per Piece

Used with:
5" x 5" post
(Not Gorilla wall post)

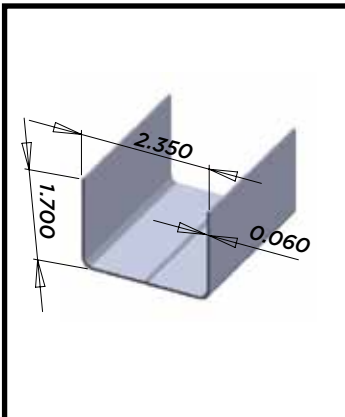


4" X 4" ALUMINUM INSERT

G12HA288-69312
4" x 4"

24' Lengths
Per Piece

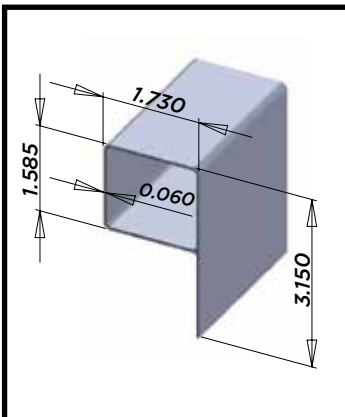
Used with:
4" x 4" post
(Not Gorilla wall post)



2-1/8" X 2-3/4" DOWN - ALUMINUM INSERT

G26CH288-69228
2-1/8" x 2-3/4" Down

24' Lengths
Per Piece



2" X 3-1/2" & T-RAIL P39, 43, 47

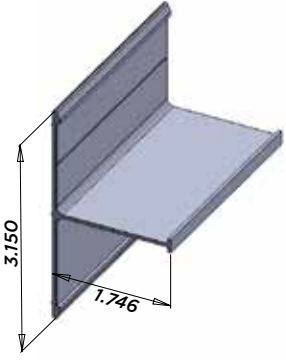
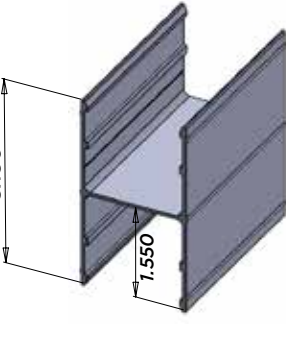
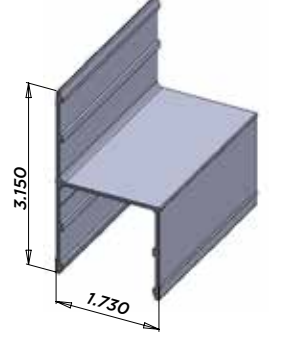
G24PA288-69227
2" x 3-1/2" & T-Rail

24' Lengths
120 Pieces per Bundle

Used with:
Rectangular Guard Rail
T-Rail, Contour and
Deck-over Guard Rail

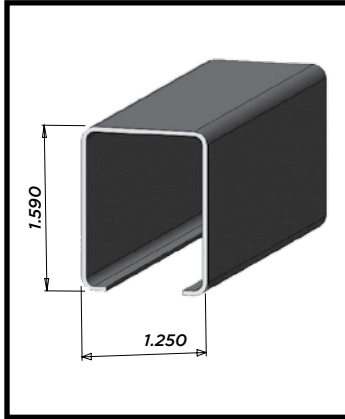
Availability and profile dimensions are subject to change without notice. Check with manufacturer before ordering.
All dimensions are subject to manufacturer's tolerances.

INSERT STIFFENER ALUMINUM INSERT

	<p>T-BOTTOM RAIL P39, 43, 47</p> <p>G24TA096-55028 T-Bottom Rail</p> <p>72", 96" Lengths For bottom rail only 120 Pieces per Bundle</p> <p style="text-align: right;">Used with: Residential Guard Rail Systems Bottom Rail Only</p>
	<p>H-RAIL - ALUMINUM INSERT P39, 43, 47</p> <p>G24HA096-55026 H-Rail</p> <p>96" Lengths For top rail only 120 Pieces per Bundle</p> <p style="text-align: right;">Used with: Residential Guard Rail T-Rail Only (8' Spans)</p>
	<p>SMALL H - ALUMINUM INSERT P39, 43, 47</p> <p>G24hA072-55027 Small h</p> <p>72" Lengths For top rail only 120 Pieces per Bundle</p> <p style="text-align: right;">Used with: Most Residential Guard Rail (6' Spans) Not Deck-over Guard Rail</p>

Availability and profile dimensions are subject to change without notice. Check with manufacturer before ordering.
All dimensions are subject to manufacturer's tolerances.

INSERT STIFFENER
ALUMINUM INSERTS, STEEL INSERTS

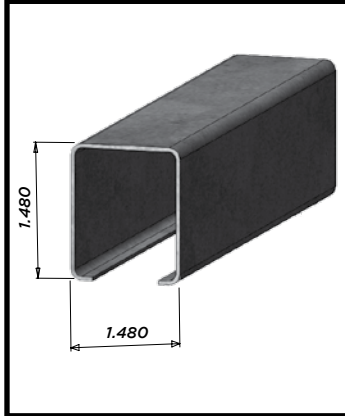


1-1/2" STEEL INSERT - POCKET RAIL

G3RFH121-18
1-1/2" Steel Insert - Pocket Rail
18 Gage
400 Pieces Per Bundle

AL- 93" (G3RFH121-18-93)
UT- 71" (G3RFH121-18-71)

Used with:
1-1/2" x 5-1/2" Pocket Rail

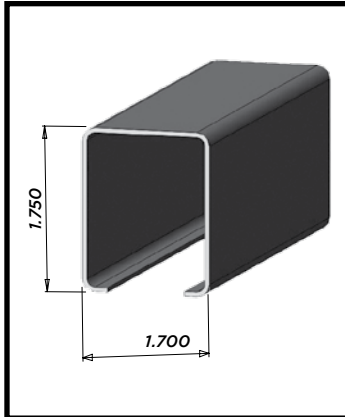


1-3/4" STEEL INSERT

G3RFM147-18
1-3/4" Steel Insert
18 Gage
400 Pieces Per Bundle

AL- 93" (G3RFM147-18-93)
UT- 71" (G3RFM147-18-71)

Used with:
1-3/4" x 5-1/2" Pocket Rail



2" STEEL INSERT - 2" RAIL

G3RFH148-18
2" Steel Insert - 2" Rail
18 Gage
400 Pieces Per Bundle

AL- 93" (G3RFH148-18-93)
UT- 71" (G3RFH148-18-71)

Used with:
2" x 7" Pocket Rail

Availability and profile dimensions are subject to change without notice. Check with manufacturer before ordering.
 All dimensions are subject to manufacturer's tolerances.

PERFECT FIT & MATCH • PERFECT FIT & MATCH • PERFECT FIT & MATCH • I
• PERFECT FIT & MATCH • PERFECT FIT & MATCH • PERFECT FIT & M
& MATCH • PERFECT FIT & MATCH • PERFECT FIT & MATCH • PERFE
PERFECT FIT & MATCH • PERFECT FIT & MATCH • PERFECT FIT & MATC
PERFECT FIT & MATCH • PERFECT FIT & MATCH • PERFECT FIT & MATCH
• PERFECT FIT & MATCH • PERFECT FIT & MATCH • PERFECT FIT & M
& MATCH • PERFECT FIT & MATCH • PERFECT FIT & MATCH • PERFE

MISCELLANEOUS




MISCELLANEOUS - FASTENERS AND ADHESIVES


Rivets, Router Bits & Rail Lock


7/8" DOME HEAD STYLE RIVET		
	<p>DIMENSIONS: 3/16" x 7/8"</p>	<p>PART NUMBER: F875RIVET + P, W, T STOCK COLORS: STANDARD, WHITE, TAN</p>
	<p>BOX QTY: 500 BOX WEIGHT: 2 LBS.</p>	<p>GRIP RANGE APPROXIMATELY .040-.350</p>
1" DOME HEAD STYLE RIVET		
	<p>DIMENSIONS: 3/16" x 1"</p>	<p>PART NUMBER: F1RIVET + P, W, T STOCK COLORS: STANDARD, WHITE, TAN</p>
	<p>BOX QTY: 500 BOX WEIGHT: 2 LBS.</p>	<p>GRIP RANGE APPROXIMATELY .150-.460</p>
1/4" SINGLE FLUTE CARBIDE ROUTER BIT		
	<p>DIAMETER: 1/4" LENGTH: 2 1/2"</p>	<p>PART NUMBER: T1/4ROUT STOCK COLORS: N/A</p>
	<p>BOX QTY: 1 BOX WEIGHT: .03 LBS.</p>	<p>HIGH QUALITY</p>
RAIL LOCK		
	<p>FOR USE ON 1 1/2", 1 3/4" OR 2" RAIL WIDTH</p>	<p>PART NUMBER: RL15LOCK STOCK COLORS: N/A</p>
	<p>BOX QTY: 500 BOX WEIGHT: 15 LBS.</p>	<p>USED IN PLACE OF NOTCHING. DRILL 1/2" HOLE IN RAIL, INSTALL LOCK AND SLIDE RAIL INTO POST.</p>

MISCELLANEOUS - FASTENERS AND ADHESIVES

PVC Glue, Compound

8 OZ. PVC GLUE		
	<p>DIMENSIONS: N/A</p>	<p>PART NUMBER: G8OZTUBE + W, C STOCK COLORS: WHITE, CLEAR</p>
	<p>BOX QTY: 8 BOX WEIGHT: 13 LBS.</p>	<p>SPECIFICALLY FORMULATED FOR PVC APPLICATIONS, UV PROTECTED, SETS UP QUICKLY, LONG SHELF LIFE.</p>

1.5 OZ. PVC GLUE		
	<p>DIMENSIONS: N/A</p>	<p>PART NUMBER: G15OZTUBE + W, C STOCK COLORS: WHITE, CLEAR</p>
	<p>BOX QTY: 24 BOX WEIGHT: 3 LBS.</p>	<p>SPECIFICALLY FORMULATED FOR PVC APPLICATIONS, UV PROTECTED, SETS UP QUICKLY, LONG SHELF LIFE.</p>

PIPE FITTING RETAINING COMPOUND		P61
	<p>FOR 2HR APPLICATIONS EASILY BIND 90 DEGREE RETURNS, ADJUSTABLE JOINERS AND ALUMINUM WALL MOUNTS</p>	<p>PART NUMBER: HR2MLRC STOCK COLORS: N/A</p>
	<p>BOX QTY: 1 (6 TUBES PER BOX) BOX WEIGHT: 0.5 LBS.</p>	<p>6 TUBES WILL DO APPROXIMATELY 24 90 DEGREE POST RETURNS</p>

Waymark is a registered trademark of Waymark Products, LLC.

HOMELAND VINYL PRODUCTS, Inc.

18-067-M1116

Homeland Profiles: 800.999.6813 | www.Homelandvinyl.com | Waymark Accessories: 877-652-6118

RediPak Program

Homeland Vinyl Products, Inc.



RediPak by Homeland Vinyl Products, Inc. offers high quality at a value price. Beautiful, sturdy, strong, and made with top-quality materials. A RediPak fence will stand the test of time and bring you enjoyment for many years to come without the hassle of painting.



RediPak system is just the first step. Homeland Vinyl Accessories can add extra value. Add a decorative cap or even Low Voltage or Solar lighting to RediPak fence. Metal and Tiffany Style Tops are also available to add a more elegant appearance.

Features

- High quality material
- Metal reinforced rails
- Tongue & groove pickets
- Routed fence posts
- Concealed fasteners
- White, Tan and Adobe



info@homelandvinyl.com
800-999-6813

Homelandvinyl.com
 Waymarkproducts.com

61" T&G RediPak for 8' Rail Packaging		
	Color	HVP Item Key
15 pcs of T&G/RediPak	White	F54GW061315
21 RediPak/Bundle	Tan	F54GT061315
315 pcs of T&G/Bundle	Adobe	F54GD061315

62 1/4" T&G RediPak for 6' Rail Packaging		
	Color	HVP Item Key
11 pcs of T&G/RediPak	White	F54GW62A308
28 RediPak/Bundle	Tan	F54GT62A308
308 pcs of T&G/Bundle	Adobe	F54GD62A308

62 1/4" T&G RediPak for 8' Rail Packaging		
	Color	HVP Item Key
15 pcs of T&G/RediPak	White	F54GW62A315
21 RediPak/Bundle	Tan	F54GT62A315
315 pcs of T&G/Bundle	Adobe	F54GD62A315

64" T&G RediPak for 8' Rail Packaging		
	Color	HVP Item Key
15 pcs of T&G/RediPak	White	F54GW064315
21 RediPak/Bundle	Tan	F54GT064315
315 pcs of T&G/Bundle	Adobe	F54GD064315

6' Rail 1 3/4" x 5 1/2" Gorilla RediPak (70" Body) Page 128			
6' Rail 1 3/4" x 5 1/2" RediPak Cont:		Routed Posts for 6' Rail 1 3/4" x 5 1/2" RediPak	
2 pcs of 1 3/4" x 5 1/2" x 71 1/2" F37C Gorilla pocket rail notched		5" x 5" x 9' F10E Post	Route Pattern # R95
2 pcs of 59 3/4" F83U 3/4" trim channel		Drawing # HVP-194	59 3/4" Route Spacing
56 Rail RediPak/bundle			
T&G RediPak Packaging:			
62 1/4" T&G RediPak for 6' Rail			
Pocket Rail RediPak HVP Bundle Keys			
White	71 1/2" Rail Packs	F37DW71B056	
Tan	71 1/2" Rail Packs	F37DT71B056	Adobe 71 1/2" Rail Packs F37DD71B056

8' Rail 1 3/4" x 5 1/2" Gorilla RediPak (70" Body) Page 129			
8' Rail 1 3/4" x 5 1/2" RediPak Cont:		Routed Posts for 8' Rail 1 3/4" x 5 1/2" RediPak	
2 pcs of 1 3/4" x 5 1/2" x 94" F37C Gorilla pocket rail notched		5" x 5" x 9' F10E Post	Route Pattern # R95
1 pc 93" - Type 2 Steel Insert - G3RFM		Drawing # HVP-195	59 3/4" Route Spacing
2 pcs of 59 3/4" F83U 3/4" trim channel			
42 RediPak/bundle			
T&G RediPak Packaging:			
62 1/4" T&G RediPak for 8' Rail			
Pocket Rail RediPak HVP Bundle Keys			
White	94" Rail Packs	F37DW094042-S	
Tan	94" Rail Packs	F37DT094042-S	Adobe 94" Rail Packs F37DD094042-S

8' Rail 1 3/4" x 5 1/2" Gorilla RediPak (72" Body) Page 130			
8' Rail 1 3/4" x 5 1/2" RediPak Cont:		Routed Posts for 8' Rail 1 3/4" x 5 1/2" RediPak	
2 pcs of 1 3/4" x 5 1/2" x 94" F37C Gorilla pocket rail notched		5" x 5" x 9' F10E Post	Route Pattern # R102
1 pc 93" - Type 2 Steel Insert - G3RFM		Drawing # HVP-196	61" Route Spacing
2 pcs of 60 3/4" F83U 3/4" trim channel			
42 RediPak/bundle			
T&G RediPak Packaging:			
62 1/4" T&G RediPak for 8' Rail			
Pocket Rail RediPak HVP Bundle Keys			
White	94" Rail Packs	F37MW094042-S	
Tan	94" Rail Packs	F37MT094042-S	Adobe 94" Rail Packs F37MD094042-S

6' Rail 1 1/2" x 5 1/2" Gorilla RediPak (70" Body) Page 131			
6' Rail 1 1/2" x 5 1/2" RediPak Cont:		Routed Posts for 6' Rail 1 1/2" x 5 1/2" RediPak	
2 pcs of 1 1/2" x 5 1/2" x 71 1/2" F32G Gorilla pocket rail notched		5" x 5" x 9' F10E Post	Route Pattern # R96
2 pcs of 58 3/4" F83U 3/4" trim channel		Drawing # HVP-189	58 3/4" Route Spacing
56 RediPak/bundle			
T&G RediPak Packaging:			
62 1/4" T&G RediPak for 6' Rail			
Pocket Rail RediPak HVP Bundle Keys			
White	71 1/2" Rail Packs	F32NW71B056	
Tan	71 1/2" Rail Packs	F32NT71B056	Adobe 71 1/2" Rail Packs F32ND71B056

8' Rail 1 1/2" x 5 1/2" Gorilla RediPak (70" Body) Page 132			
8' Rail 1 1/2" x 5 1/2" RediPak Cont:		Routed Posts for 8' Rail 1 1/2" x 5 1/2" RediPak	
2 pcs of 1 1/2" x 5 1/2" x 94" F32G Gorilla pocket rail notched		5" x 5" x 9' F10E Post	Route Pattern # R96
1 pc 93" - Type 1 Steel Insert - G3RFH121		Drawing # HVP-190	58 3/4" Route Spacing
2 pcs of 58 3/4" F83U 3/4" trim channel			
42 RediPak/bundle			
T&G RediPak Packaging:			
62 1/4" T&G RediPak for 8' Rail			
Pocket Rail RediPak HVP Bundle Keys			
White	94" Rail Packs	F32NW094042-S	
Tan	94" Rail Packs	F32NT094042-S	Adobe 94" Rail Packs F32ND094042-S

8' Rail 1 1/2" x 5 1/2" Gorilla RediPak (72" Body) Page 133			
8' Rail 1 1/2" x 5 1/2" RediPak Cont:		Routed Posts for 8' Rail 1 1/2" x 5 1/2" RediPak	
2 pcs of 1 1/2" x 5 1/2" x 94" F32G Gorilla pocket rail notched		5" x 5" x 9' F10E Post	Route Pattern # R54
1 pc 93" - Type 1 Steel Insert - G3RFH121		Drawing # HVP-191	61" Route Spacing
2 pcs of 60 3/4" F83U 3/4" trim channel			
42 RediPak/bundle			
T&G RediPak Packaging:			
64" T&G RediPak for 8' Rail			
Pocket Rail RediPak HVP Bundle Keys			
White	94" Rail Packs	F32AW094042-S	
Tan	94" Rail Packs	F32AT094042-S	Adobe 94" Rail Packs F32AD094042-S

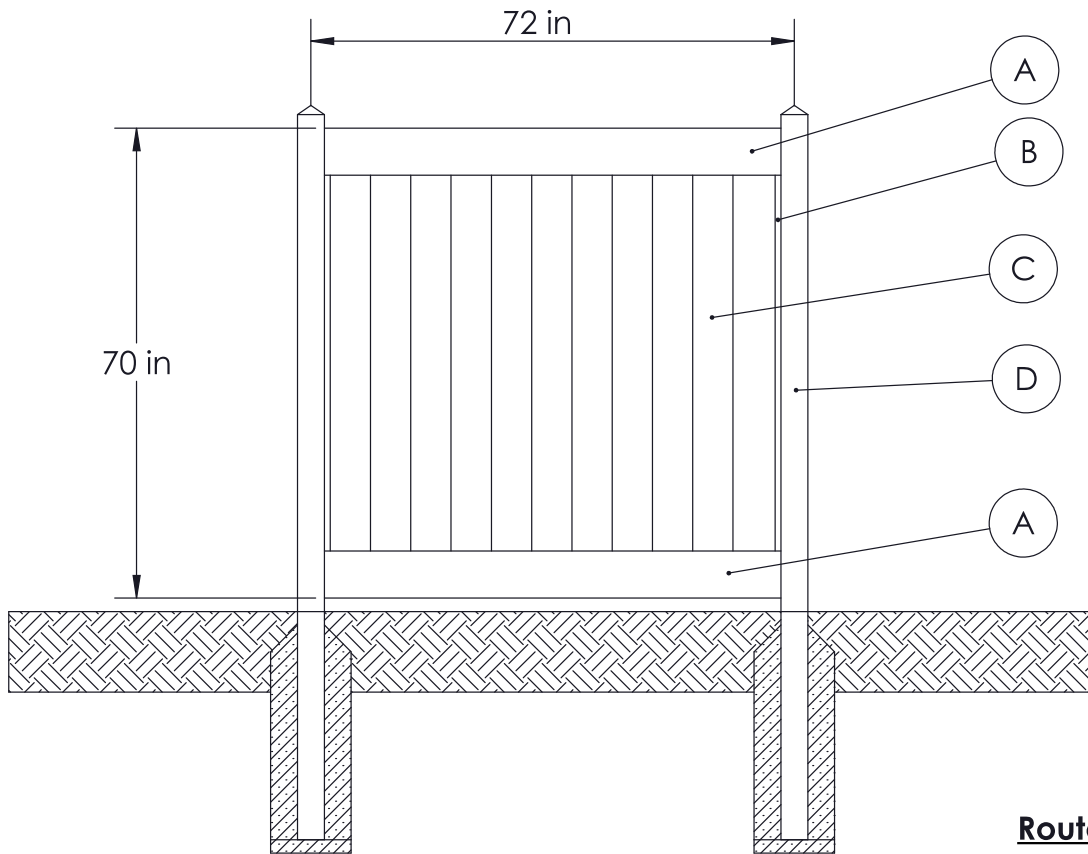
8' Rail 2" x 7" Nexus RediPak (72" Body) Page 134			
8' Rail 2" x 7" Nexus RediPak Cont:		Routed Posts for 8' Rail 2" x 7" Nexus RediPak	
2 pcs of 2 x 7 x 94" F3P2 Nexus pocket rail notched		5" x 5" x 9' F10E Post	Route Pattern # R117
1 pc 93" - Type 3 Steel Insert - G3RFH148		Drawing # HVP-198	58" Route Spacing
2 pcs of 58" F83U 3/4" trim channel			
33 RediPak/bundle			
T&G RediPak Packaging:			
61" T&G RediPak for 8' Rail			
Pocket Rail RediPak HVP Bundle Keys			
White	94" Rail Packs	F3PPW094033-S	
Tan	94" Rail Packs	F3PPT094033-S	
Adobe	94" Rail Packs	F3PPD094033-S	

(Galv. steel inserts in tan RediPak only. No inserts in white RediPak.)

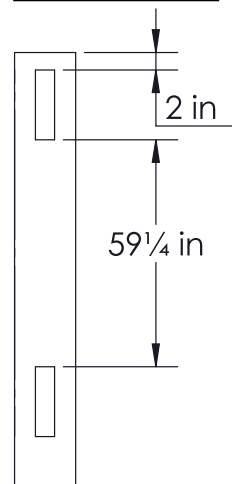
8' Rail 2" x 7" Gorilla RediPak (72" Body) Page 135			
8' Rail 2" x 7" Gorilla RediPak Cont:		Routed Posts for 8' Rail 2" x 7" Gorilla RediPak	
2 pcs of 2 x 7 x 94" F3BF Gorilla pocket rail notched		5" x 5" x 9' F10E Post	Route Pattern # 817
1 pc 93" - Type 3 Steel Insert - G3RFH148		Drawing # HVP-TBD	58" Route Spacing
2 pcs of 58" F83U 3/4" trim channel			
33 RediPak/bundle			
T&G RediPak Packaging:			
61" T&G RediPak for 8' Rail			
Pocket Rail RediPak HVP Bundle Keys			
White	94" Rail Packs	F3BPW094033-S	
Tan	94" Rail Packs	F3BPT094033-S	
Adobe	94" Rail Packs	F3BPD094033-S	

(Galv. steel inserts in tan RediPak only. No inserts in white RediPak.)

6' Rail 1 3/4" x 5 1/2" Gorilla RediPak (70" Body)



Route Pattern



Key	Quantity	Item Key	Description
A	2	F37C	1 3/4" x 5 1/2" x 71 1/2" Gorilla Pocket Rail
B	2	F83U	7/8" x 59 1/4" Trim Channel
C	11	F54G	7/8" x 6" x 62 1/4" Gorilla T&G
D	2	F10E	5" x 5" x 9' Post
Pocket Rail RediPak HVP Bundle Item Keys			
Color	Pieces	Description	Item Keys
White	56	71 1/2" Rail Packs	F37DW71B056
Tan	56	71 1/2" Rail Packs	F37DT71B056
Adobe	56	71 1/2" Rail Packs	F37DD71B056

CUSTOMER COPY

COPYRIGHT HOMELAND VINYL PRODUCTS, INC

This drawing is the property of Homeland Vinyl Products, Inc. *If it is not to be reproduced, copied or traced in whole or in part without the written consent of Homeland Vinyl Products, Inc.*

TITLE: 6' Rail 1 3/4" x 5 1/2" Gorilla RediPak (70" Body)



DATE: _____
SCALE: N.T.S.

DWG NO. HVP - 194

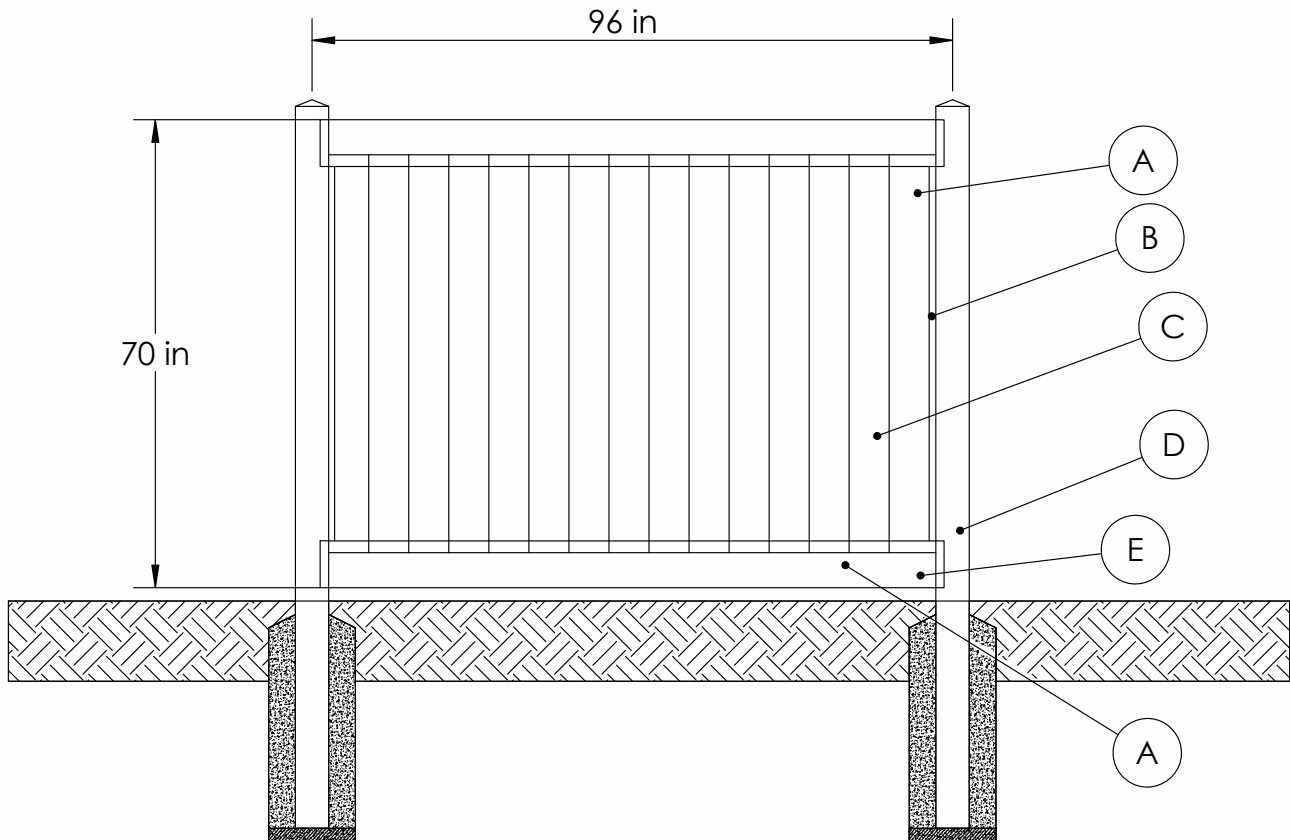
REV: A

ROUTE PATTERN: #R95

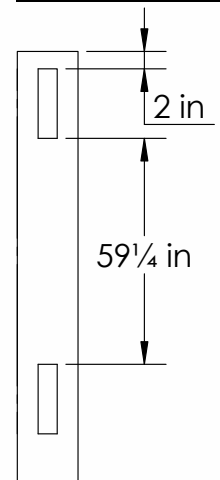
8' Rail 1 3/4" x 5 1/2" Gorilla RediPak (70" Body)

NOTES:

STEEL INSERT INSIDE BOTTOM RAIL



Route Pattern



Key	Quantity	Part	Description
A	2	F37C	1 3/4" x 5 1/2" x 94" Gorilla Pocket Rail
B	2	F83U	7/8" x 59 1/4" Trim Channel
C	15	F54G	7/8" x 6" x 62 1/4" Gorilla T&G
D	2	F10E	5" x 5" x 9' Post
E	1	G3RFM147-18-93	93" x 1 3/4" Steel Insert

Pocket Rail RediPak HVP Bundle Item Keys

Color	Pieces	Description	Item Key
White	42	94" Rail Packs	F37DW094042-S
Tan	42	94" Rail Packs	F37DT094042-S
Adobe	42	94" Rail Packs	F37DD094042-S

CUSTOMER COPY

COPYRIGHT HOMELAND VINYL PRODUCTS, INC.

This drawing is the property of Homeland Vinyl Products, Inc. It is not to be reproduced, copied or traced in whole or in part without the written consent of Homeland Vinyl Products, Inc.

TITLE: **8' Rail 1 3/4" x 5 1/2" Gorilla RediPak (70" Body)**

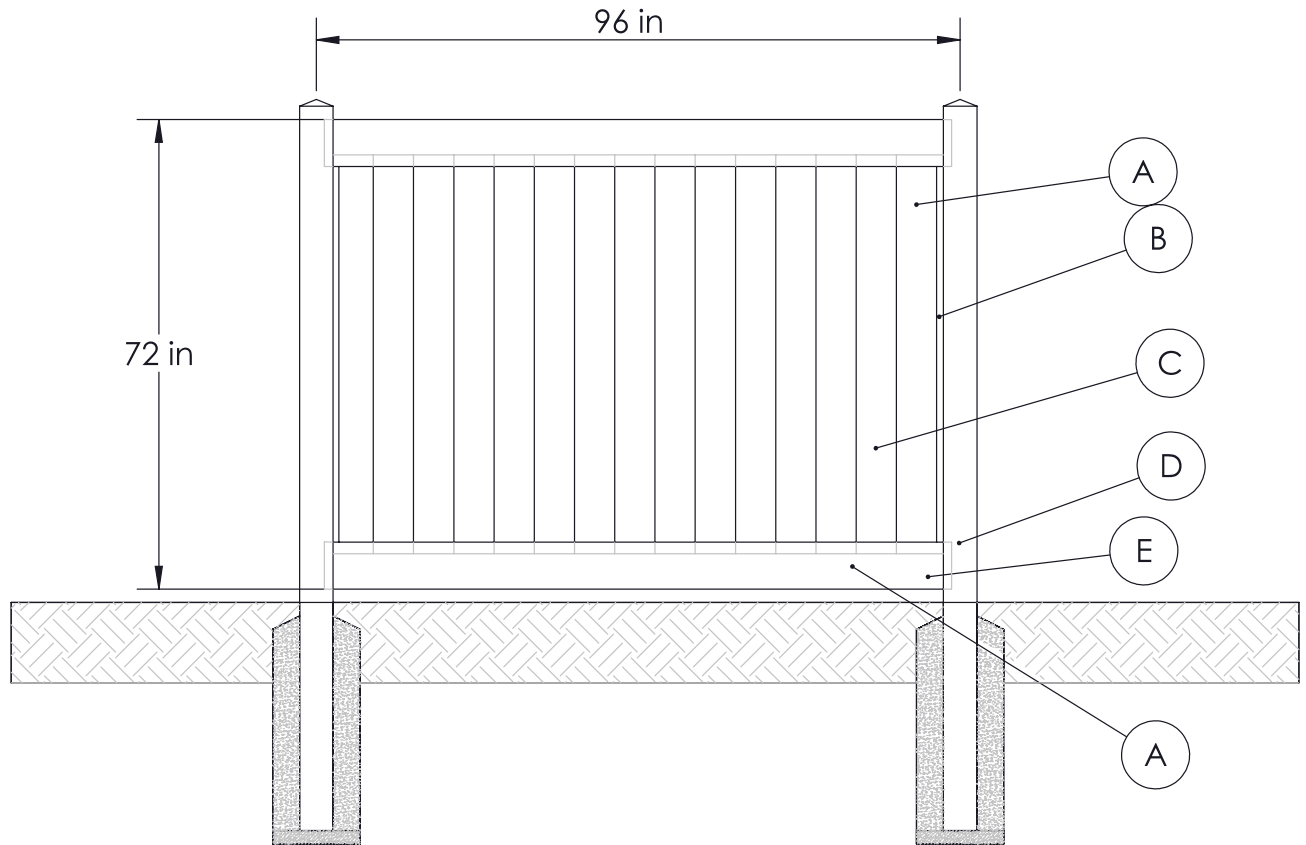


DATE:	DWG NO. HVP-195
SCALE: N.T.S.	REV: A
	ROUTE PATTERN: #R95

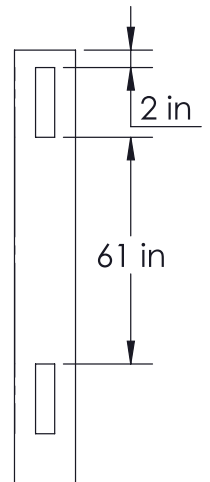
8' Rail 1 3/4" x 5 1/2" Gorilla RediPak (72" Body)

NOTES:

STEEL INSERT INSIDE BOTTOM RAIL



Route Pattern



Key	Quantity	Part	Description
A	2	F37C	1 3/4" x 5 1/2" x 94" Gorilla Pocket Rail
B	2	F83U	7/8" x 60-7/8" Trim Channel
C	15	F54G	7/8" x 6" x 64" Gorilla T&G
D	2	F10E	5" x 5" x 9' Post
E	1	G3RFM147-18-93	93" x 1 3/4" Steel Insert

Pocket Rail RediPak HVP Bundle Item Keys

Color	Pieces	Description	Item Keys
White	42	94" Rail Packs	F37MW094042-S
Tan	42	94" Rail Packs	F37MT094042-S
Adobe	42	94" Rail Packs	F37MD094042-S

CUSTOMER COPY

COPYRIGHT HOMELAND VINYL PRODUCTS, INC.

This drawing is the property of Homeland Vinyl Products, Inc. *It is not to be reproduced, copied or traced in whole or in part without the written consent of Homeland Vinyl Products, Inc.*

TITLE: 8' Rail 1 3/4" x 5 1/2" Gorilla RediPak (72" Body)

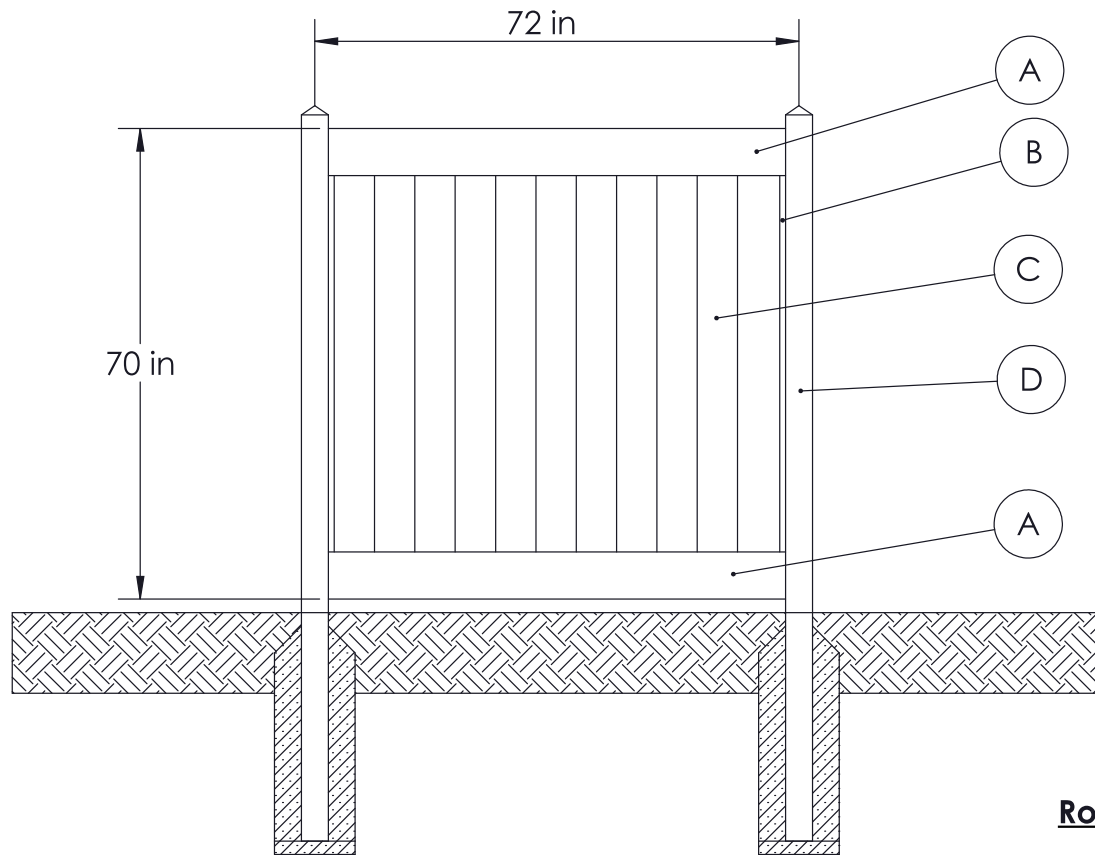


DATE: _____
SCALE: N.T.S.

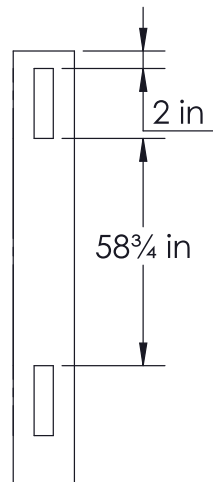
DWG NO. _____
REV: A

HVP-196
ROUTE PATTERN: #R102

6' Rail 1 1/2" x 5 1/2" Gorilla RediPak (70" Body)



Route Pattern



Key	Quantity	Item Key	Description
A	2	F32G	1 1/2" x 5 1/2" x 71 1/2" Gorilla Pocket Rail
B	2	F83U	7/8" x 58 3/4" Trim Channel
C	11	F54G	7/8" x 6" x 62 1/4" Gorilla T&G
D	2	F10E	5" x 5" x 9' Post

Pocket Rail RediPak HVP Bundle Item Keys

Color	Pieces	Description	Item Key
White	56	71 1/2" Rail Packs	F37DW71B056
Tan	56	71 1/2" Rail Packs	F37DT71B056
Adobe	56	71 1/2" Rail Packs	F37DD71B056

CUSTOMER COPY

COPYRIGHT HOMELAND VINYL PRODUCTS, INC.

This drawing is the property of Homeland Vinyl Products, Inc. It is not to be reproduced, copied or traced in whole or in part without the written consent of Homeland Vinyl Products, Inc.

TITLE: 6' Rail 1 1/2" x 5 1/2" Gorilla RediPak (70" Body)



DATE: _____
SCALE: N.T.S.

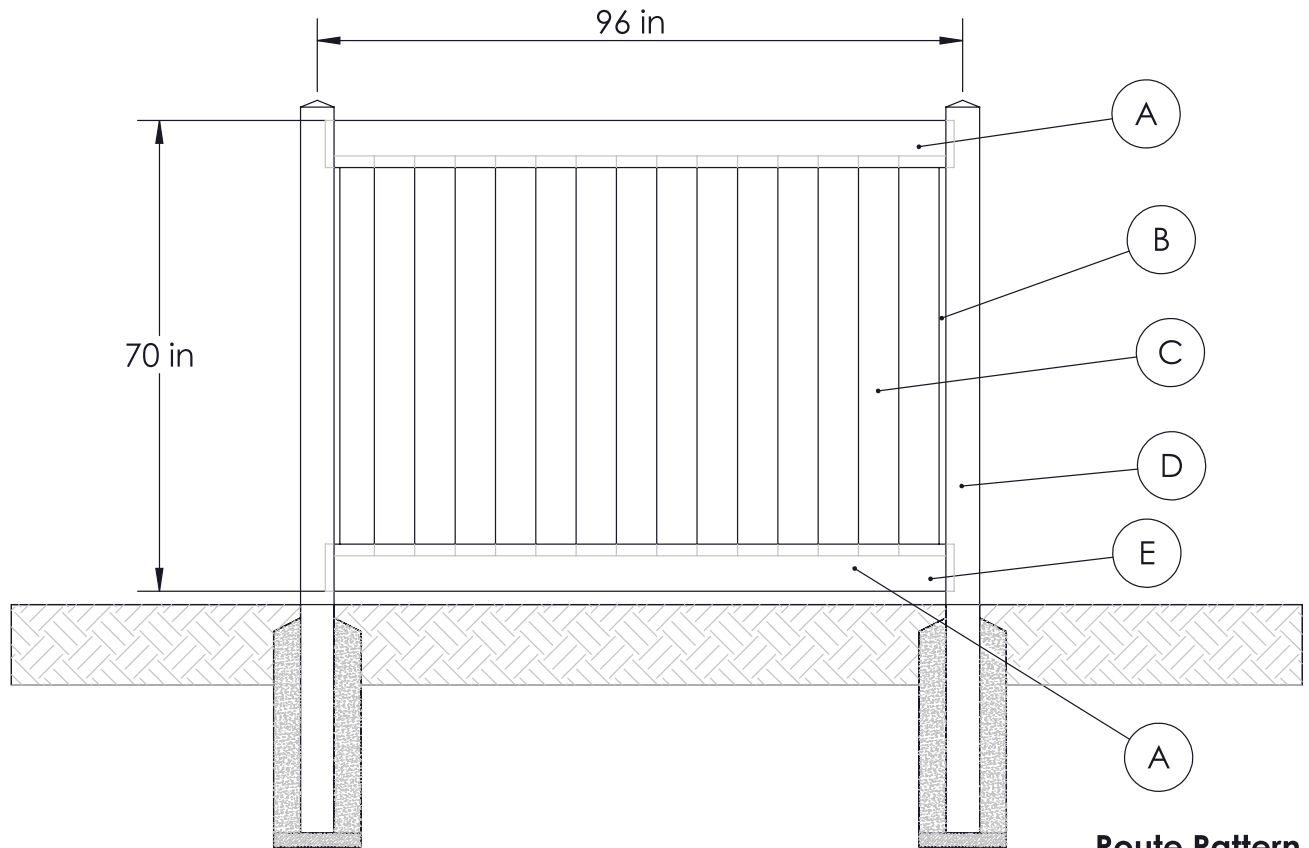
DWG NO. HVP - 189
REV: A

ROUTE PATTERN: #R96

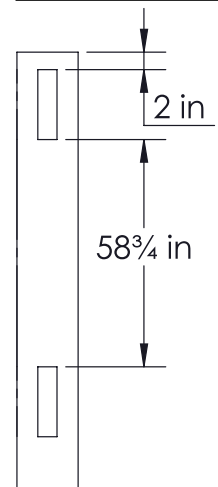
8' Rail 1 1/2" x 5 1/2" Gorilla RediPak (70" Body)

NOTES:

STEEL INSERT INSIDE BOTTOM RAIL



Route Pattern



Key	Quantity	Part	Description
A	2	F32G	1 1/2" x 5 1/2" x 94" Gorilla Pocket Rail
B	2	F83U	7/8" x 58 3/4" Trim Channel
C	15	F54G	7/8" x 6" x 62 1/4" Gorilla T&G
D	2	F10E	5" x 5" x 9' Post
E	1	G3RFH121-18-93	93" x 1 1/2" Steel Insert

Pocket Rail RediPak HVP Bundle Item Keys

Color	Pieces	Description	Item Keys
White	42	94" Rail Packs	F32NW094042-S
Tan	42	94" Rail Packs	F32NT094042-S
Adobe	42	94" Rail Packs	F32ND094042-S

CUSTOMER COPY

COPYRIGHT HOMELAND VINYL PRODUCTS, INC

This drawing is the property of Homeland Vinyl Products, Inc. *It is not to be reproduced, copied or traced in whole or in part without the written consent of Homeland Vinyl Products, Inc.*

TITLE: 8' Rail 1 1/2" x 5 1/2" Gorilla RediPak (70" Body)



DATE:

DWG NO.

HVP-190

SCALE:

REV:

ROUTE PATTERN:

N.T.S.

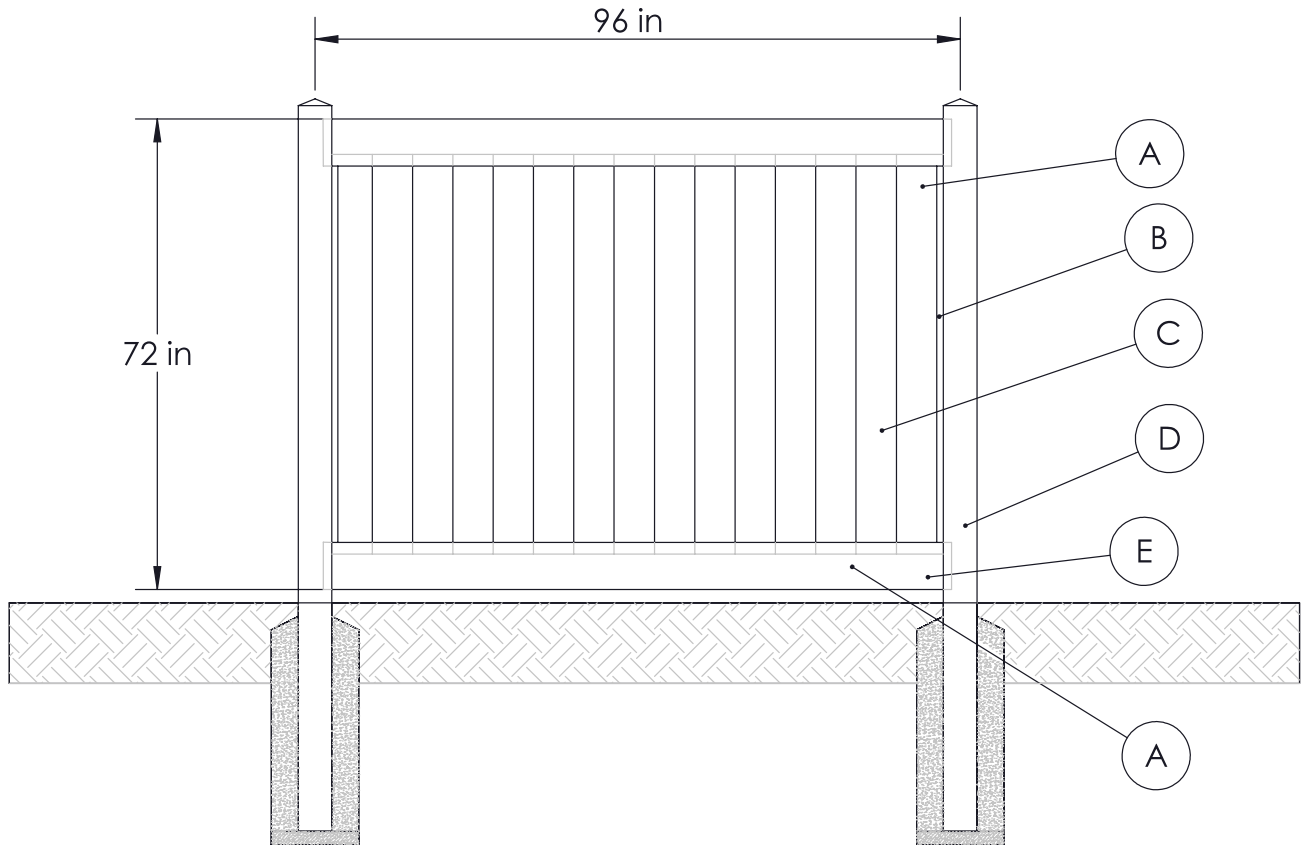
A

#R96

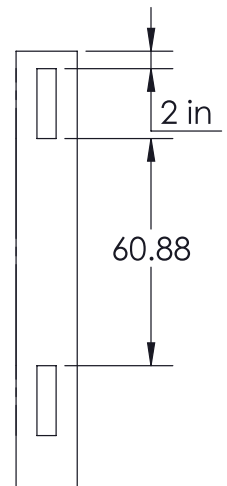
8' Rail 1 1/2" x 5 1/2" Gorilla RediPak (72" Body)

NOTES:

STEEL INSERT INSIDE BOTTOM RAIL



Route Pattern



Key	Quantity	Part	Description
A	2	F32G	1 1/2" x 5 1/2" x 94" Gorilla Pocket Rail
B	2	F83U	7/8" x 60-7/8" Trim Channel
C	15	F54G	7/8" x 6" x 64" Gorilla T&G
D	2	F10E	5" x 5" x 9' Post
E	1	G3RFH121-18-93	93" x 1 1/2" Galvanized Steel Insert

Pocket Rail RediPak HVP Bundle Item Keys

Color	Pieces	Description	Item Key
White	42	94" Rail Packs	F32AW094042-S
Tan	42	94" Rail Packs	F32AT094042-S
Adobe	42	94" Rail Packs	F32AD094042-S

CUSTOMER COPY

COPYRIGHT HOMELAND VINYL PRODUCTS, INC.

This drawing is the property of Homeland Vinyl Products, Inc. It is not to be reproduced, copied or traced in whole or in part without the written consent of Homeland Vinyl Products, Inc.

TITLE: **8' Rail 1 1/2" x 5 1/2" Gorilla RediPak (72" Body)**



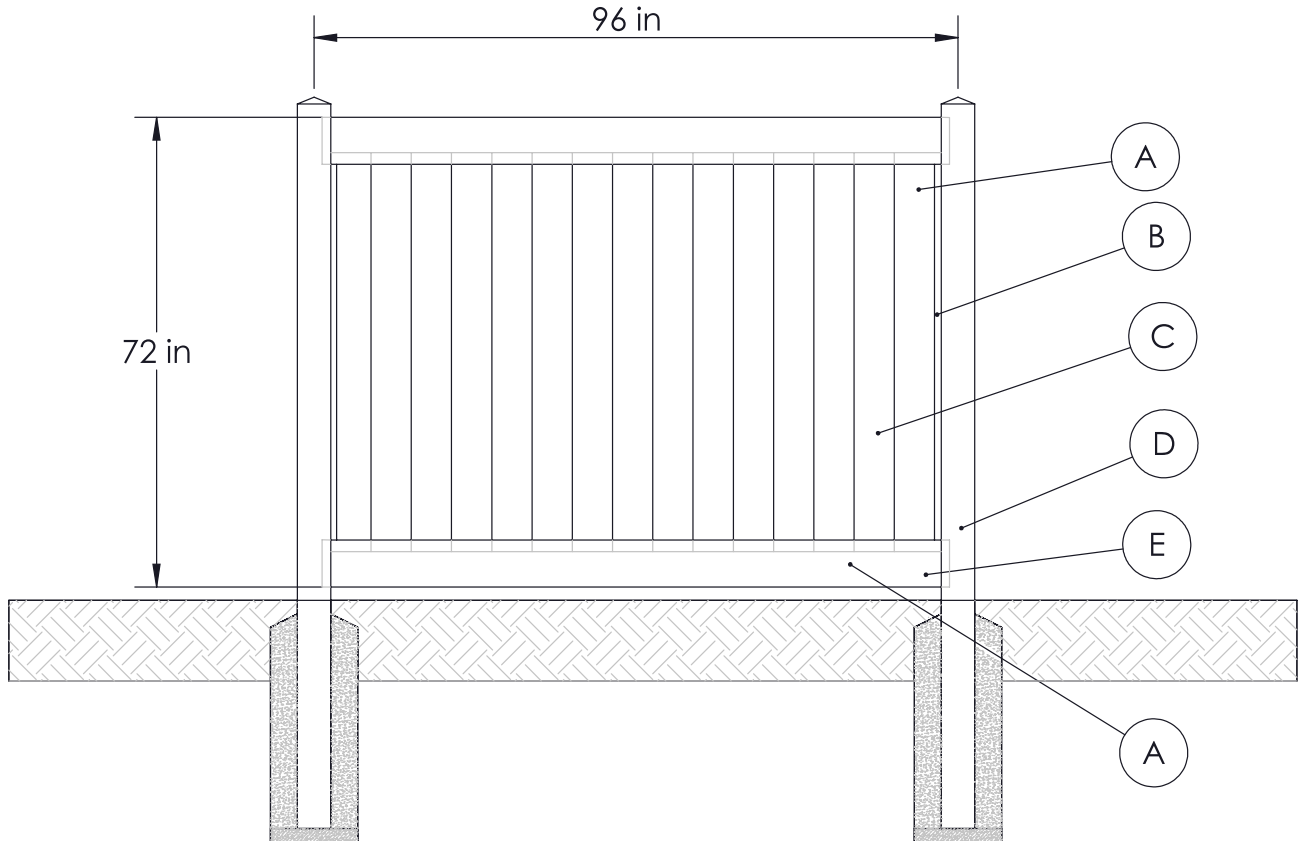
DATE: _____ DWG. NO. **HVP-191**
SCALE: **N.T.S.** REV: **A**

ROUTE PATTERN: **#R54**

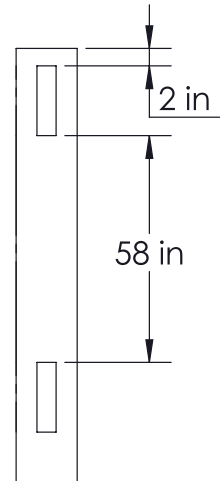
8' Rail 2" x 7" Nexus RediPak (72" Body)

NOTES:

STEEL INSERT INSIDE BOTTOM RAIL



Route Pattern



Key	Quantity	Part	Description
A	2	F3P2	2" x 7" x 94" Nexus Pocket Rail
B	2	F83U	7/8" x 58" Trim Channel
C	15	F54G	7/8" x 6" x 61" Gorilla T&G
D	2	F10E	5" x 5" x 9' Post
E	1	G3RFH148-18-93	93" x 2" Steel Insert
Pocket Rail RediPak HVP Bundle Item Keys			
Color	Pieces	Description	Item Key
White	33	94" Rail Packs	F3PPW094033-S
Tan	33	94" Rail Packs	F3PPT094033-S
Adobe	33	94" Rail Packs	F3PPD094033-S

CUSTOMER COPY

COPYRIGHT HOMELAND VINYL PRODUCTS, INC

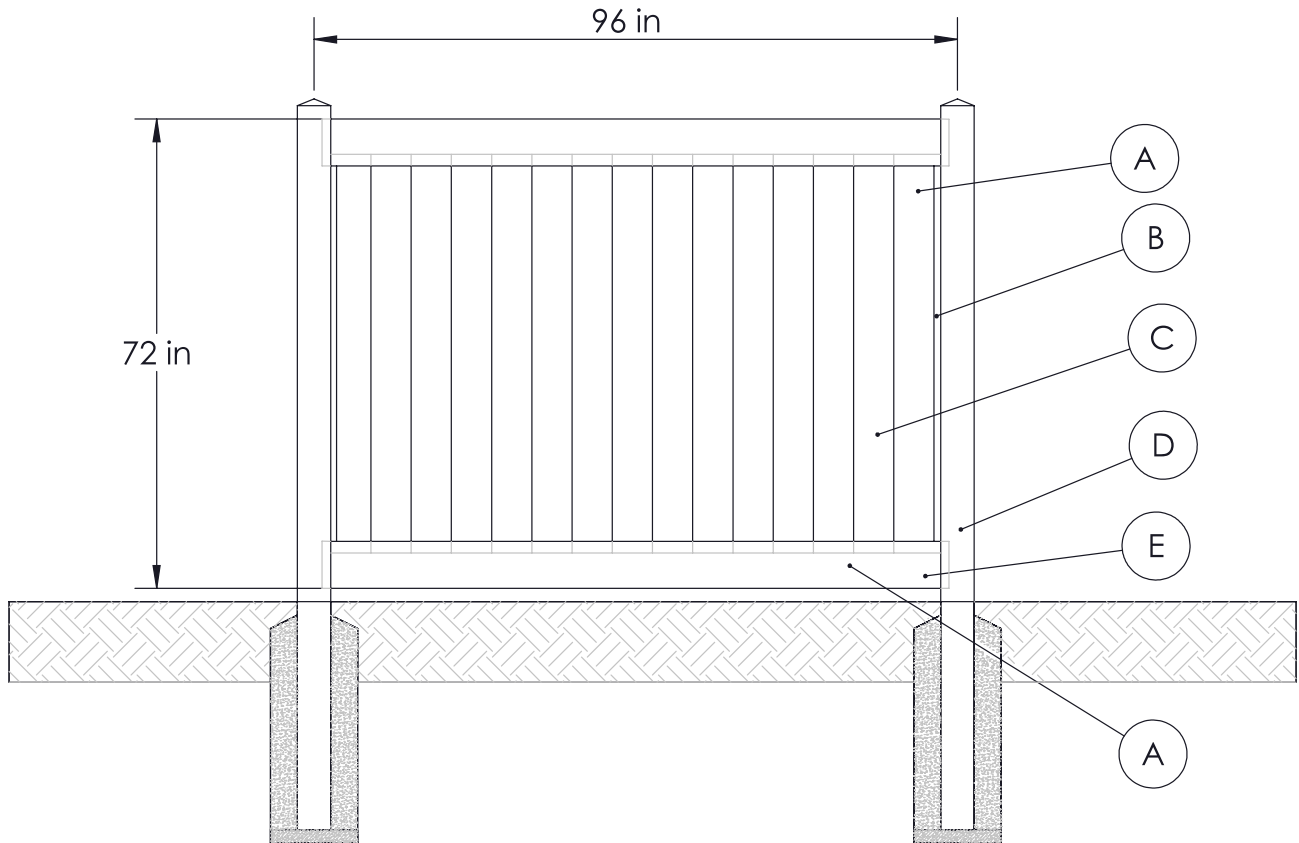
This drawing is the property of Homeland Vinyl Products, Inc. *It is not to be reproduced, copied or traced in whole or in part without the written consent of Homeland Vinyl Products, Inc.*

TITLE: 8' Rail 2" x 7" Nexus RediPak (72" Body)			
DATE:		DWG NO. HVP-200	
SCALE: N.T.S.		REV: A	ROUTE PATTERN: #R117

8' Rail 2" x 7" Gorilla RediPak (72" Body)

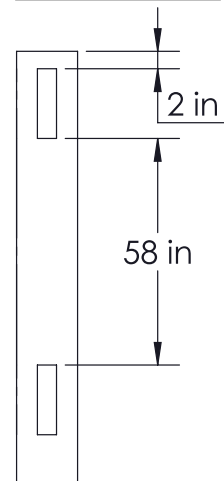
NOTES:

STEEL INSERT INSIDE BOTTOM RAIL



Key	Quantity	Part	Description
A	2	F3BF	2" x 7" x 94" Gorilla Pocket Rail
B	2	F83U	7/8" x 58" Trim Channel
C	15	F54G	7/8" x 6" x 61" Gorilla T&G
D	2	F10E	5" x 5" x 9' Post
E	1	G3RFH148-18-93	93" x 2" Steel Insert
Pocket Rail RediPak HVP Bundle Item Keys			
Color	Pieces	Description	Item Key
White	33	94" Rail Packs	F3PPW094033-S
Tan	33	94" Rail Packs	F3PPT094033-S
Adobe	33	94" Rail Packs	F3PPD094033-S

Route Pattern



CUSTOMER COPY

COPYRIGHT HOMELAND VINYL PRODUCTS, INC.

This drawing is the property of Homeland Vinyl Products, Inc. It is not to be reproduced, copied or traced in whole or in part without the written consent of Homeland Vinyl Products, Inc.

TITLE: **8' Rail 2" x 7" Gorilla RediPak (72" Body)**



DATE: _____
SCALE: **N.T.S.**

DWG. NO. **HVP-198**
REV: **A**

ROUTE PATTERN: **#R817**

Ranch Rail Program

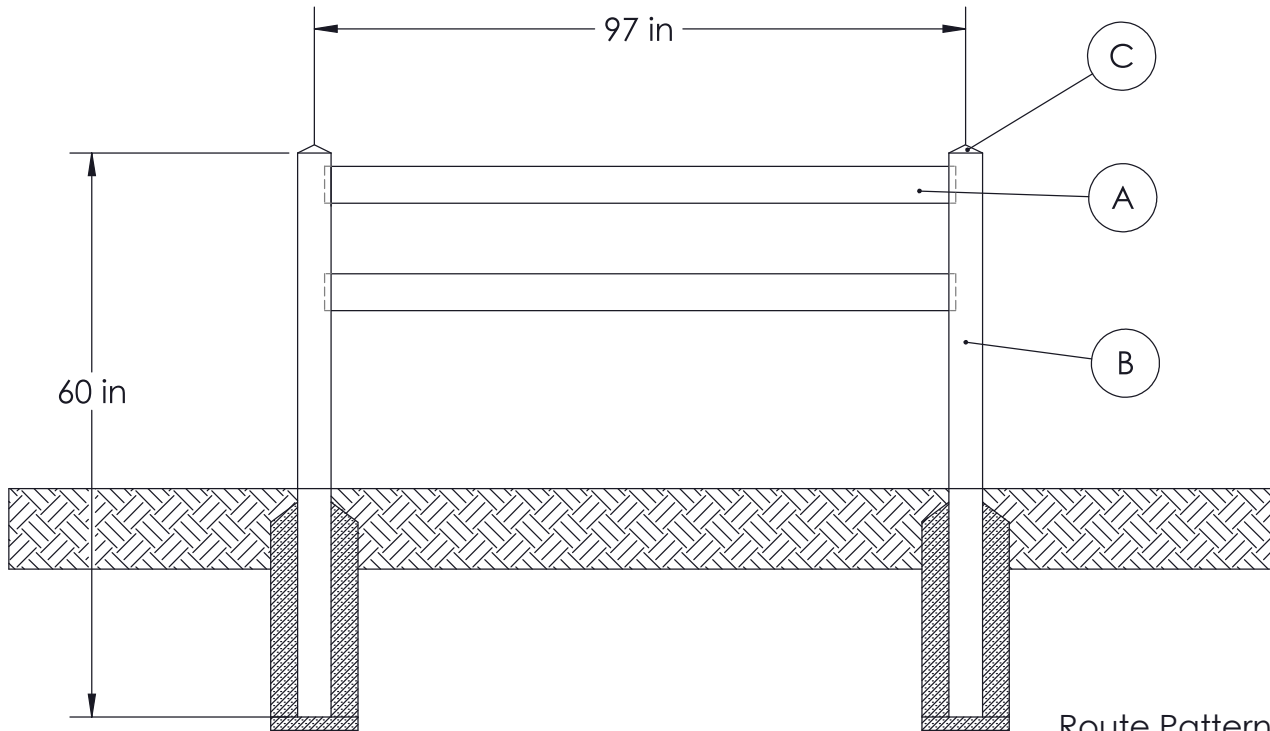
Homeland Vinyl Products, Inc.



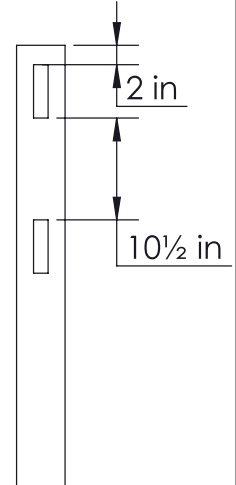
Homeland Vinyl Accessories can add extra value. Add a decorative cap or even Low Voltage or Solar lighting to Ranch Rail. Metal and Tiffany Style Tops are also available to add a more elegant appearance.



1½" x 5½" Two - Rail Ranch



Route Pattern



Key	Quantity	Part	Description
A	2	F27M	1½" x 5½" x 97" Co-Ex Utility Value
B	2	F10J	5" x 5" x 60" Co-Ex Utility Ranch Post
C	2	C55PYRA	5" Pyramid Post Cap
Ranch Rail HVP Bundle Item Keys			
Color	Pieces	Description	Item Key
White			
Tan			
Adobe			

CUSTOMER COPY

COPYRIGHT HOMELAND VINYL PRODUCTS, INC.

This drawing is the property of Homeland Vinyl Products, Inc. It is not to be reproduced, copied or traced in whole or in part without the written consent of Homeland Vinyl Products, Inc.

TITLE:

1½" x 5½" Two - Rail Ranch

DATE:

DWG NO.



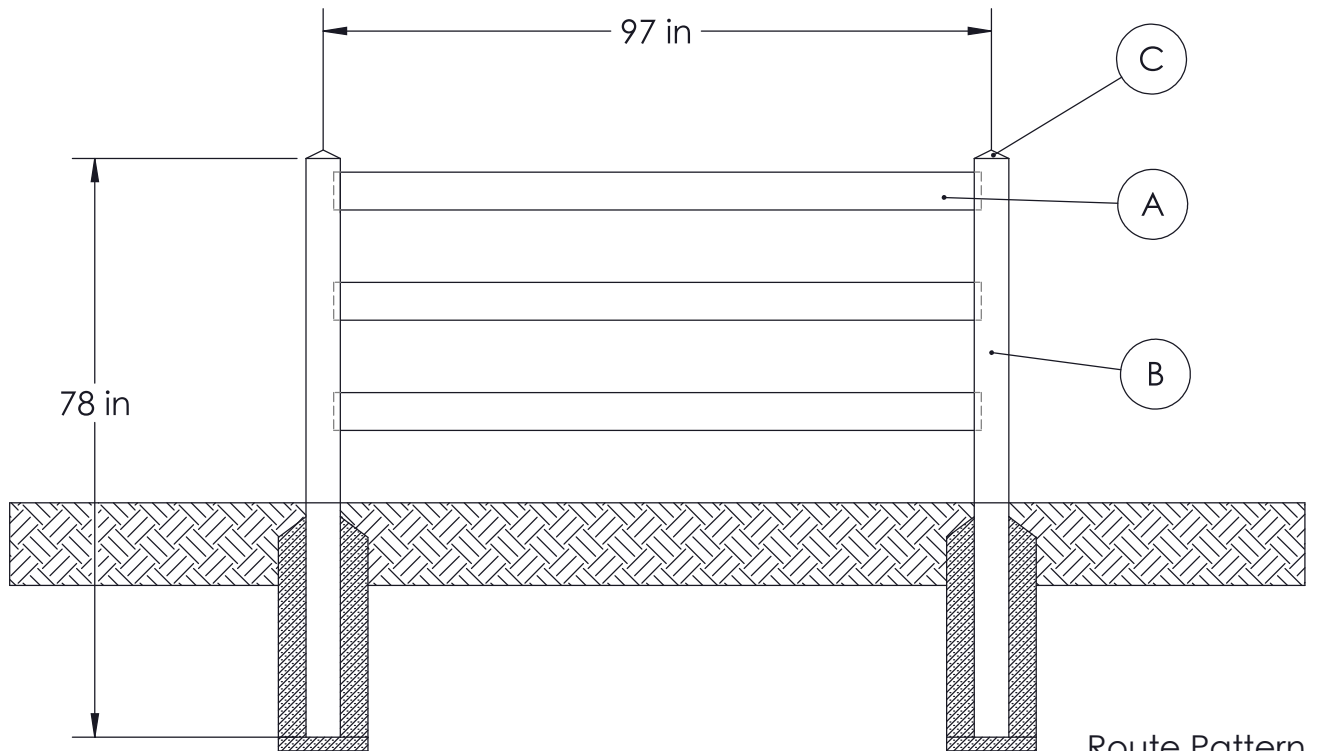
SCALE: N.T.S.

REV: A

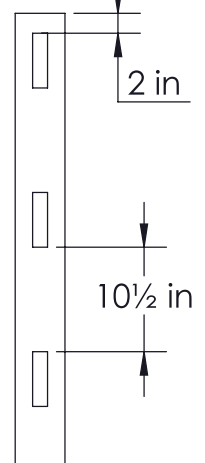
ROUTE PATTERN:

#R23

1 1/2" x 5 1/2" Three - Rail Ranch



Route Pattern



Key	Quantity	Part	Description
A	3	F27M	1 1/2" x 5 1/2" x 97" Co-Ex Utility Value
B	2	F10J	5" x 5" x 78" Co-Ex Utility Ranch Post
C	2	C55PYRA	5" Pyramid Post Cap
Ranch Rail HVP Bundle Item Keys			
Color	Pieces	Description	Item Key
White			
Tan			
Adobe			

CUSTOMER COPY

COPYRIGHT HOMELAND VINYL PRODUCTS, INC.

This drawing is the property of Homeland Vinyl Products, Inc. *It is not to be reproduced, copied or traced in whole or in part without the written consent of Homeland Vinyl Products, Inc.*

TITLE:

1 1/2" x 5 1/2" Three - Rail Ranch

DATE:

DWG NO.:



SCALE:

N.T.S.

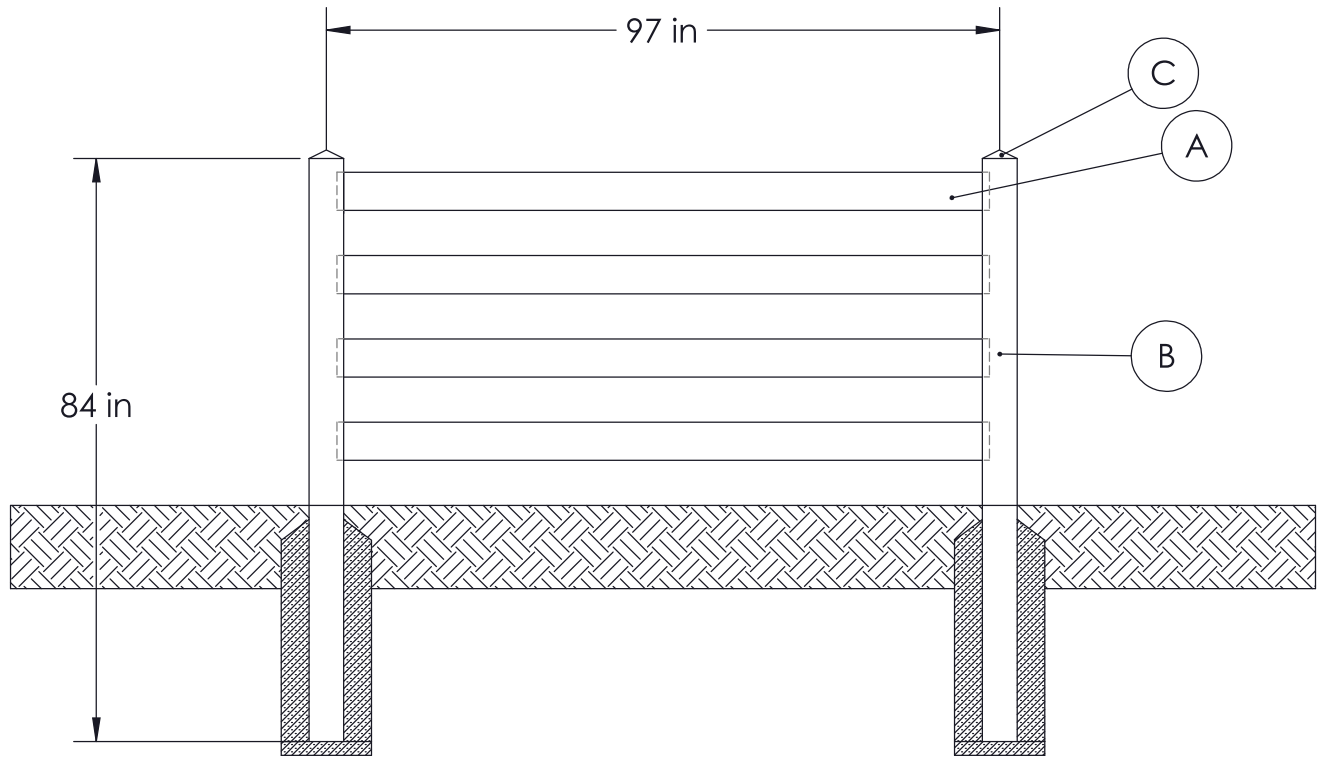
REV:

A

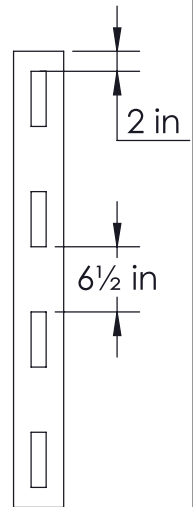
ROUTE PATTERN:

#R14

1 1/2" x 5 1/2" Four - Rail Ranch



Route Pattern



Key	Quantity	Part	Description
A	4	F27M	1 1/2" x 5 1/2" x 97" Co-Ex Utility Value
B	2	F10J	5" x 5" x 84" Co-Ex Utility Ranch Post
C	2	C55PYRA	5" Pyramid Post Cap
Ranch Rail HVP Bundle Item Keys			
Color	Pieces	Description	Item Key
White			
Tan			
Adobe			

CUSTOMER COPY

COPYRIGHT HOMELAND VINYL PRODUCTS, INC

This drawing is the property of Homeland Vinyl Products, Inc. *It is not to be reproduced, copied or traced in whole or in part without the written consent of Homeland Vinyl Products, Inc.*

TITLE:

1 1/2" x 5 1/2" Four - Rail Ranch

DATE:

DWG NO.



SCALE: **N.T.S.**

REV: **A**

ROUTE PATTERN:

#R15

INDEX

Product and Descriptions	Part #	Page #	Product and Descriptions	Part #	Page #
ADHESIVES - PAGES 61, 125					
8 OZ. PVC Glue	G8OZTUBE	125	2"x 6" Ribbed Rail	F22C	19
1.5 OZ. PVC Glue	G15OZTUBE	125	1-1/2" x 5-1/2" Ribbed Rail	F27C	19
Pipe Fitting Retaining Compound	HR2MLRC	61, 125	1-1/2" x 5-1/2" Ribbed Rail	F27E	19
COLUMNS, GORILLA® COLUMN PROFILES & ACCESSORIES - PAGES 75, 105-106					
8.40" Round Column	TD84	75, 105-106	1-1/2" x 5-1/2" Utility Value Rail	F27M	19
6.625" Round Column	TD64	75, 106	1-3/4" x 3-1/2" Hollow Standard Rail	F25B	20
8.4" Round Column Base	TC85RCW01	106	1-1/2" x 2-3/4" Standard Rail	F23S	20
8.4" Round Column Base with Uplift Kit	TC85BRW01	106	7/8" x 6" Ribbed Standard	F56R	1
CONTOUR RAIL SYSTEM - PAGES 46-48					
3" Contour Rail	F36S	46	26		7
2" x 3-1/2" Hollow Utility Rail	F24E	38, 42, 46, 66	GATE BRACE - PAGE 22		
2" x 3-1/2" Hollow Standard Rail	F24C	38, 42, 46, 66	Gate Support Brace	F86S	22
2" X 3-1/2" & T-Rail	G24PA288-69227	39, 43, 47, 120	GATE HARDWARE - PAGES 34-36		
T-Bottom Rail Insert	G24TA096-55028	39, 43, 47, 121	36" Mild Steel Drop Rod	H36RODMS	34
H-Rail - Aluminum Insert	G24HA096-55026	39, 43, 47, 119, 121	36" Stainless Steel Drop Rod	H36RODSS	34
Small H - Aluminum Insert	G24hA072-55027	39, 43, 47, 121	Mild Steel Corner Hinge Set	HHNGMS	34
Contour Summit® Bracket	BLCONS	48	Stainless Steel Corner Hinge Set	HHNGSS	34
Contour Summit® Stair Bracket	BSCONS	48	Corner Hinge Hex Adjust Self-Closing		
2" x 3-1/2" Summit® Rail Bracket	BL235S	40, 44, 48	Stainless Steel	HXSCSS	35
2" x 3-1/2" Summit® Stair Bracket	BS235S	40, 44, 48	2" U-Hinge Hex Adjust Self-Closing		
22 1/2 Degree Summit® Adapter	BA225S	40, 45, 48	Stainless Steel	H2UXSCSS	35
45 Degree Summit® Adapter	BA45S	40, 45, 48	Corner Hinge Hex Adjust Self-Closing		
8" Summit® Column Adapter	BA8CS	40, 45, 48	Mild Steel	HXSCMS	35
DECKING, GORILLA DECK® - PAGES 107-111					
Gorilla Deck® G3	F70E	108	2" U-Hinge Hex Adjust Self-Closing		
Gorilla Deck® Starter Strip	F73G	108	Mild Steel	H2UXSCMS	35
Gorilla Deck® Splice Trim	F74G	108	Large Mild Steel Paddle Latch	HLRGPADMS	36
Gorilla Deck® Finish Trim	F75G	109	Large Stainless Steel Paddle Latch	HLRGPADSS	36
Gorilla Deck® Fascia Trim	F76G	110	Reinforced Mild Steel Paddle Latch	HRIFPADMS	36
Gorilla Deck® Fascia Corner	F79G	110	Reinforced Stainless Steel Paddle Latch		
Gorilla Deck® Fascia Splice	F78G	110	Paddle Latch	HRIFPADSS	36
Gorilla Deck® Fascia Adapter	F77G	111	Small Aluminum Paddle Latch	HSMLPADA	36
DECK-OVER RAIL SYSTEM, 2" x 3-1/2" - PAGES 38-41					
2" x 3-1/2" Hollow Utility Rail	F24E	38, 42, 46, 66	Small Stainless Steel Paddle Latch	HSMLPADSS	36
2" x 3-1/2" Hollow Standard Rail	F24C	38, 42, 46, 66	GATE POCKETS - PAGES 31-32		
2" X 3-1/2" & T-Rail	G24PA288-69227	39, 43, 47, 120	2-1/8" x 2-3/4" x 4" Gate Pocket	GP218X234	31
T-Bottom Rail Insert	G24TA096-55028	39, 43, 47, 121	1-3/4" x 3-1/2" x 4" Gate Pocket	GP17535X4	31
H-Rail - Aluminum Insert	G24HA096-55026	39, 43, 47, 119, 121	2" x 3-1/2" x 4" Gate Pocket	GP235X4	31
Small H - Aluminum Insert	G24hA072-55027	39, 43, 47, 121	1-3/4" x 5-1/2" x 4" Deco Gate Pocket		
2" x 3-1/2" Summit® Rail Bracket	BL235S	40, 44, 48		GP17555X4	32
2" x 3-1/2" Summit® Stair Bracket	BS235S	40, 44, 48	1-1/2" x 5-1/2" x 4" Gate Pocket	GP1555X4	32
Replacement Summit® 2" x 3-1/2" Bracket Trim Cover	BRC235S	40	2" x 6" x 4" Gate Pocket	GP26X4	32
Replacement Summit® 2" x 3-1/2" Stair Bracket Trim Cover	BSC235S	40	2" x 7" x 4" Gate Pocket	GP27X4	32
22 1/2 Degree Summit® Adapter	BA225S	40, 45, 48	GRAB RAIL, GORILLA® SUMMIT® SECONDARY HANDRAIL - PAGES 58-61		
45 Degree Summit® Adapter	BA45S	40, 45, 48	8" Handrail with Aluminum Insert	HR88RAIL	59
8" Summit® Column Adapter	BA8CS	40, 45, 48	3" Offset Aluminum Mounting Bracket	HR3BRAKA	59
Deck-Over Summit® Bracket	BLDOVS	41	1" Handrail End Cap	HR1ECAP	59
Deck-Over Summit® Stair Bracket	BSDOVS	41	3" Offset 90 Degree Aluminum Post Return	HR90RETA	59
Summit® Deck Board Railing Attachment Kit	B35DBRD	41	Straight Aluminum Wall Mount	HR134SWMA	59
Deck-Over Summit® Field Cut Adapter	BAFCDOV	41	90 Degree Outside Corner	HR90OUTCR	59
22 1/2 Degree Deck-Over Summit® Adapter	BA225DOV	41	6" Inside Corner Mounting Bracket	HR6INBKA	60
22 1/2 Degree Deck-Over Summit® Adapter	BA225DOV	41	1-1/2" Beauty Ring	HR15BR	60
45 Degree Deck-Over Summit® Adapter	BA45DOV	41	90 Degree Inside Corner	HR90INCR	60
8" Summit® Deck-Over Column Adapter	BA8CDOV	41	32 Degree Stair Elbow	HR32ELBW	60
END CAPS - PAGE 30					
2" x 3-1/2" Internal End Cap	EC235	30	34 Degree Stair Elbow	HR34ELBW	60
2" x 3-1/2" External End Cap	EEC235	30	36 Degree Stair Elbow	HR36ELBW	60
1-1/2" x 5-1/2" Internal End Cap	EC1555	30	5 Degree Handicap Elbow	HR5ELBOW	61
2" x 6" Internal End Cap	EC260	30	180 Degree Post Return	HR180PR	61
2" x 6" External End Cap	EEC260	30	Handicap Loop	HR12LOOP	61
FENCE RAILS - PAGES 17-20, 26					
2"x 8" Ribbed Rail	F20R	18	6" Aluminum Joiner Kit with Screws	HR6JOINA	61
2" x 8" Hollow Rail	F20S	18	5.75" Adjustable Joiner	HR575ADJA	61
2"x 6" Hollow Rail	F22E	18	Pipe Fitting Retaining Compound	HR2MLRC	61, 126
			GORILLA® FENCE, PRIVACY FENCE - PAGES 13-14, 16, 26-29, 127		
			5" x 5" Gorilla® H-Post		
			FTG1		
			1-1/2 Gorilla® Post Insert		
			FTG2		
			1-3/4 Gorilla® Fence U-Channel		
			FTG3		
			7/8" x 6" Gorilla® T&G		
			F54G		
			7/8" x 6" Homewood® T&G		
			F54C		
			1-3/4" x 5-1/2" Nexus® Mid-Rail		
			F3PM		
			1-3/4" x 5-1/2" Nexus® Pocket Rail		
			F3P5		
			1-1/2" x 5-1/2" Gorilla® Pocket Rail		
			F32G		
			HANDRAIL BRACKETS - PAGES 40-41, 44-45, 48, 50, 52-53, 56-57		
			T-Rail Summit® Bracket		
			BLTRLS		
			T-Rail Summit® Stair Bracket		
			BSTRLS		
			Replacement Summit®		
			T-Rail Bracket Trim Cover		
			BRCTRLS		
			Replacement Summit®		
			T-Rail Stair Bracket Trim Cover		
			BRCTRLS		
			2" x 3-1/2" Summit® Rail Bracket		
			BL235S		
			2" x 3-1/2" Summit® Stair Bracket		
			BS235S		
			Replacement Summit®		

INDEX

Product and Descriptions	Part #	Page #	Product and Descriptions	Part #	Page #
2" x 3-1/2" Bracket Trim Cover	BRC235S	40	LOW VOLTAGE TOPS & ACCESSORIES - PAGES 97-104		
Replacement Summit® 2" x 3-1/2" Stair Bracket Trim Cover	BSC235S	40	4" White Waypoint® Low Voltage Light		reference page 98
22 1/2 Degree Summit® Adapter	BA225S	40, 45, 48	5" Black Waypoint® Low Voltage Light		reference page 98
45 Degree Summit® Adapter	BA45S	40, 45, 48	4" Copper Top Waypoint® Low Voltage Light Light w/White Base		reference page 98
8" Summit® Column Adapter	BA8CS	40, 45, 48	5" Copper Top Waypoint® Low Voltage Light Light w/Black Base		reference page 98
Deck-Over Summit® Bracket	BLDOVS	41	4" Bronze Top Waypoint® Low Voltage Light w/White Base		reference page 98
Deck-Over Summit® Stair Bracket	BSDOVS	41	5" Bronze Top Waypoint® Low Voltage Light w/Black Base		reference page 98
Summit® Deck Board Railing Attachment Kit	B35DBRD	41	4" Stainless Top Waypoint® Low Voltage Light w/White Base		reference page 99
Deck-Over Summit® Field Cut Adapter	BAFCDOV	41	5" Stainless Top Waypoint® Low Voltage Light w/Black Base		reference page 99
22 1/2 Degree Deck-Over Summit® Adapter	BA225DOV	41	4" Black Top Waypoint® Low Voltage Light w/White Base		reference page 99
45 Degree Deck-Over Summit® Adapter	BA45DOV	41	5" Black Top Waypoint® Low Voltage Light w/White Base		reference page 99
8" Summit® Deck-Over Column Adapter	BA8CDOV	41	4" Pearl Top Waypoint® Low Voltage Light w/White Base		reference page 99
Contour Summit® Bracket	BLCONS	48	5" Pearl Top Waypoint® Low Voltage Light w/Black Base		reference page 99
Contour Summit® Stair Bracket	BSCONS	48	4" Chestnut Top Waypoint® Low Voltage Light w/White Base		reference page 100
HANDRAIL BRACKETS FOR NEXUS®, NEXUS®1, NEXUS®2 MOUNTING BRACKETS, CLIPS & PLUGS - PAGES 50, 52-53, 56-57			5" Chestnut Top Waypoint® Low Voltage Light w/Black Base		reference page 100
Nexus® Railing Aluminum Mounting Bracket Kit	FC3408	50, 52, 56	4" Forest Top Waypoint® Low Voltage Light w/White Base		reference page 100
Nexus® Railing Polymer Mounting Bracket Kit	FC3416	50, 52, 56	5" Forest Top Waypoint® Low Voltage Light w/Black Base		reference page 100
Nexus® 1-3/4" X 2-1/4" Bottom Cover Clip	FC3410	50, 53, 56	4" Harvest Top Waypoint® Low Voltage Light w/White Base		reference page 100
Nexus® 1-3/4" X 2-1/4" Bottom Brackets & Screws	FC3414	50, 53, 56	5" Harvest Top Waypoint® Low Voltage Light w/Black Base		reference page 100
Nexus® 1-3/4" T-Rail Top Brackets & Screws	FC3413	53	4" Sunflower Top Waypoint® Low Voltage Light w/White Base		reference page 101
Nexus® 1, 1-3/4" T-Rail Bracket Top Cover Clip	FC3409	53	5" Sunflower Top Waypoint® Low Voltage Light w/Black Base		reference page 101
Nexus® 1, 1-3/4" T-Rail Top Adapter Cut Block	FC3411	53	4" Grape Top Waypoint® Low Voltage Light w/White Base		reference page 101
Nexus® 1, 1-3/4" x 2-1/4" Bottom Adapter Cut Block	FC3412	53	5" Grape Top Waypoint® Low Voltage Light w/Black Base		reference page 101
Nexus® 2, T-Rail Bracket Top Cover Clip	FC3417	57	4" Waypoint® LV Slim Light w/White Base		reference page 101
Nexus® 2, T-Rail Stair Brackets & Screws	FC3418	56	5" Waypoint® LV Slim Light w/White Base		reference page 101
Nexus® Stair Screw Plugs	FC3415	53, 56	4" Beveled Frosted Glass	C-814552	102
HOLE PLUGS - PAGE 31			Star Bright Stair Riser	LVX125SRBK	102
5/8" Hole Plug	HP5/8	31	Star Bright Max Low Voltage Deck Light	LV125MAX	102
1-1/4" Hole Plug	HP125	31	Star Bright Low Voltage Flush Mount Light	LVX38MINI	102
1-1/2" x 5-1/2" Decorative Hole Plug	HP1555	31	24" Low Voltage Strip Light	LV2STRIP	102
INSERTS - PAGES 39, 43, 47, 50, 52, 55, 119-122			Low Voltage Sconce Light	LVX234SC	102
5" x 5" Aluminum Insert	G10HA288-69243	120	36" Extension Cable	LVX3EXT	103
4" x 4" Aluminum Insert	G12HA288-69312	120	108" Extension Cable	LVX9EXT	103
2-1/8" x 2-3/4" Down - Aluminum Insert	G26CH288-69228	120	2 in 1 Splitter	LVX221SPLIT	103
2" X 3-1/2" & T-Rail	G24PA288-69227	39, 43, 47, 120	120 Watt Low Voltage Transformer	LV120TRANSA	103
1-3/4" Nexus®2 T-Rail - Aluminum "A" Insert	GMXZY	50, 55	4 Outlet Junction Box	LVX4CON	103
1-3/4" x 2-1/4" Nexus® Bottom Aluminum Insert	GMB	50, 52, 55	16 Gauge Low Voltage Wiring	LV100WR	103
1-3/4" Nexus®1 T-Rail - Top Aluminum Insert	GMT	52	Low Voltage Light for Metal	LVX25PL	104
1-3/4" Nexus®2 T-Rail - Top Aluminum Insert	Coming Soon	55	Low Voltage Sconce for Metal	LVXOVSC	104
T-Bottom Rail Insert	G24TA096-55028	39, 43, 47, 121			
H-Rail - Aluminum Insert	G24HA096-55026	39, 43, 47, 119, 121			
Small H - Aluminum Insert	G24hA072-55027	39, 43, 47, 121			
Steel Insert - Pocket Rail	G3RFH121-18	122			
Steel Insert - Mid Rail	G3RFM147-18	122			
Steel Insert - 2" Rail	G3RFH148-18	122			
LATTICE - PAGE 23					
4' x 8' Classic Lattice	L4X8CLS	23			
4' x 8' Privacy Lattice	L4X8PRV	23			
1' x 8' Pre-Cut Classic Lattice - Pallet	LPRECUT	23			
1' x 8' Pre-Cut Classic Lattice - Boxed	LCUTBOX	23			
LATTICE CHANNEL - PAGE 22					
1-1/2" Lattice Channel	F88S	22			
3/4" Lattice Channel	F89S	22			

INDEX

Product and Descriptions	Part #	Page #	Product and Descriptions	Part #	Page #
MATRIX, GORILLA® MATRIX PROFILE & ACCESSORIES PAGES 72-77					
8" x 8" Standard Post	F06C	73	Nexus® 1-3/4" X 2-1/4"		
6-1/2" x 6-1/2" Gorilla® Post	F08S	73, 82	Bottom Brackets & Screws	FC3414	50, 53, 56
6-1/2" x 6-1/2" Gorilla® Post	F08E	73, 82	Nexus® Stair Screw Plugs	FC3415	53, 56
5" x 5" Gorilla® Post	F10K	74, 83	NEXUS® 2 RAIL SYSTEM- PAGES 54-57		
5" x 5" Standard Post	F10C	74, 83	1-3/4" Nexus® 2 T-Rail	F3N2	54
5" x 5" Utility Post	F10E	74, 83, 127	1-3/4" x 2-1/4" Nexus® Rail	F3PB	49, 51, 54
5" x 5" Utility Ranch Post	F10J	74, 83	1-3/4" Nexus® 2 T-Rail -		
8.40" Round Column	TD84	75, 105-106	Aluminum "A" Insert	GMXZY	50, 55
6.625" Round Column	TD64	75, 106	1-3/4" Nexus® 2 T-Rail -		
Gorilla® Matrix Mounting Plate			Top Aluminum Insert		52
w/Bushing & Trim	BR88UCM	76	1-3/4" x 2-1/4" Nexus® Bottom		
5" x 5" Square Column Trim	TR55CT	76	Aluminum Insert	GMB	50, 52, 55
6-1/2" x 6-1/2" Square			Nexus® Railing Aluminum		
Column Trim	TR6565CT	76	Mounting Bracket Kit	FC3408	50, 52, 56
8" x 8" Square Column Trim	TR88CT	76	Nexus® Railing Polymer		
6-5/8" Round Column Trim	TR658RCT	76	Mounting Bracket Kit	FC3416	50, 52, 56
8.4" Round Column Trim	TR84RCT	76	Nexus® 2, T-Rail Bracket		
5" to 6-1/2" Transition			Top Cover Clip	FC3417	56
Column Trim	TR565TCT	77	Nexus® 1-3/4" X 2-1/4"		
Gorilla® Torpedo	Coming Soon	77	Bottom Cover Clip	FC3410	50, 53, 56
Pergola Plate	Coming Soon	77	Nexus® 1-3/4" X 2-1/4"		
Pergola U-Bracket	Coming Soon	77	Bottom Brackets & Screws	FC3414	50, 53, 56
Adjustable Pergola Clips	PCADJ	77	Nexus® 1, 1-3/4" T-Rail		
NEXUS®, NEXUS® 1, NEXUS® 2 MOUNTING BRACKETS, CLIPS & PLUGS - PAGES 50, 52-54, 56					
Nexus® Railing Aluminum			Top Brackets & Screws	FC3413	53
Mounting Bracket Kit	FC3408	50, 52, 56	Nexus® 1, 1-3/4" T-Rail Bracket		
Nexus® Railing Polymer			Top Cover Clip	FC3409	53
Mounting Bracket Kit	FC3416	50, 52, 56	Nexus® 1, 1-3/4" T-Rail		
Nexus® 1-3/4" X 2-1/4"			Top Adapter Cut Block	FC3411	53
Bottom Cover Clip	FC3410	50, 53, 56	Nexus® 1, 1-3/4" x 2-1/4"		
Nexus® 1-3/4" X 2-1/4"			Bottom Adapter Cut Block	FC3412	53
Bottom Brackets & Screws	FC3414	50, 53, 56	Nexus® 2, T-Rail Bracket		
Nexus® 1, 1-3/4" T-Rail			Top Cover Clip	FC3417	56
Top Brackets & Screws	FC3413	53	Nexus® 2, T-Rail Stair Brackets		
Nexus® 1, 1-3/4" T-Rail Bracket			& Screws	FC3418	54
Top Cover Clip	FC3409	53	Nexus® Stair Screw Plugs	FC3415	53, 56
Nexus® 1, 1-3/4" T-Rail			NEXUS® RAIL SYSTEM, 1-3/4" X 2-1/4" - PAGES 49-50		
Top Adapter Cut Block	FC3411	53	1-3/4" x 2-1/4" Nexus® Rail	F3PB	49, 51, 54
Nexus® 1, 1-3/4" x 2-1/4"			1-3/4" Nexus® 2 T-Rail -		
Bottom Adapter Cut Block	FC3412	53	Aluminum "A" Insert	GMXZY	50, 55
Nexus® 2, T-Rail Bracket			1-3/4" x 2-1/4" Nexus® Bottom		
Top Cover Clip	FC3417	56	Aluminum Insert	GMB	50, 52, 55
Nexus® 2, T-Rail Stair Brackets			Nexus® Railing Aluminum		
& Screws	FC3418	54	Mounting Bracket Kit	FC3408	50, 52, 56
Nexus® Stair Screw Plugs	FC3415	53, 56	Nexus® Railing Polymer		
NEXUS® 1 RAIL SYSTEM- PAGES 51-53					
Mounting Bracket Kit	FC3416	50, 52, 56	1-3/4" Nexus® 1 T-Rail	F34C	51
Nexus® 1-3/4" X 2-1/4"			1-3/4" x 2-1/4" Nexus® Rail	F3PB	49, 51, 54
Bottom Cover Clip	FC3410	50, 53, 56	1-3/4" Nexus® 1 T-Rail -		
Nexus® 1-3/4" X 2-1/4"			Top Aluminum Insert	GMT	52
Bottom Brackets & Screws	FC3414	50, 53, 56	1-3/4" x 2-1/4" Nexus® Bottom		
NEXUS® 1 RAIL SYSTEM- PAGES 51-53					
Aluminum Insert	GMB	50, 52, 55	Aluminum Insert	GMB	50, 52, 55
Nexus® Railing Aluminum			Nexus® Railing Aluminum		
Mounting Bracket Kit	FC3408	50, 52, 56	Mounting Bracket Kit	FC3408	50, 52, 56
Nexus® Railing Polymer			Nexus® Railing Polymer		
Mounting Bracket Kit	FC3416	50, 52, 56	Mounting Bracket Kit	FC3416	50, 52, 56
Nexus® 1, 1-3/4" T-Rail			Nexus® 1, 1-3/4" T-Rail		
Bracket Top Cover Clip	FC3409	53	Bracket Top Cover Clip	FC3409	53
Nexus® 1-3/4" X 2-1/4"			Nexus® 1-3/4" X 2-1/4"		
Bottom Cover Clip	FC3410	50, 53, 56	Bottom Cover Clip	FC3410	50, 53, 56
Nexus® 1, 1-3/4" T-Rail			Nexus® 1, 1-3/4" T-Rail		
Top Adapter Cut Block	FC3411	53	Top Adapter Cut Block	FC3411	53
Nexus® 1, 1-3/4" x 2-1/4"			Nexus® 1, 1-3/4" x 2-1/4"		
Bottom Adapter Cut Block	FC3412	53	Bottom Adapter Cut Block	FC3412	53
Nexus® 1-3/4" T-Rail			Nexus® 1-3/4" T-Rail		
Top Brackets & Screws	FC3413	53	Top Brackets & Screws	FC3413	53
NEXUS® 1 RAIL SYSTEM- PAGES 51-53					
PICKETS - PAGES 62-67					
			1-3/4"x1-3/4" Standard Pickets	F41S	63
			1-1/2" x 1-1/2" Gorilla® Pickets	F42H	63
			1-1/2" x 1-1/2" Standard Pickets	F42S	63
			1-3/8" x 1-3/8" Gorilla® Pickets	F43H	63
			1-3/8" x 1-3/8" Standard Pickets	F43C	63
			1-1/4" x 1-1/4" Standard Pickets	F44S	64
			1" x 1" Standard Pickets	F45S	64
			1-1/4" x 1-1/2" Standard Pickets	F47S	64
			7/8" x 1-1/2" Standard Pickets	F65S	65
			7/8" x 3" Standard Pickets	F57C	65
			7/8" x 3" Gorilla® Pickets	F57H	65
			1" x 2" Standard Pickets	F48S	65
			1" x 4" Utility Pickets	F49U	66
			2" x 3-1/2" Hollow Standard Rail	F24C	38, 42, 46, 66
			2" x 3-1/2" Hollow Utility Rail	F24E	38, 42, 46, 66
			2" x 3-1/2" Ribbed Rail	F24B	66
			2-1/8" x 2-3/4" Standard Rail	F26S	67
NEXUS® 1 RAIL SYSTEM- PAGES 51-53			PERGOLA ACCESSORIES - PAGE 77		
			Gorilla Torpedo	Coming Soon	77
			Pergola Plate	Coming Soon	77
			Pergola U-Bracket	Coming Soon	77
			Adjustable Pergola Clips	PCADJ	77
NEXUS® 1 RAIL SYSTEM- PAGES 51-53			PICKET CAPS - PAGE 68		
			7/8" x 1-1/2" PVC Spade		
			Picket Cap	P7815S	68
			1-3/8" PVC Sharp Picket Cap	P138SH	68
			1-1/2" PVC Sharp Picket Cap	P1515SH	68
			7/8" x 3" PVC Dog Ear Picket Cap	P783DE	68
			7/8" x 3" PVC Spade Picket Cap	P783S	68
			2" PVC Square Picket Cap	P22SQRE	68
NEXUS® 1 RAIL SYSTEM- PAGES 51-53			POCKET RAILS - PAGES 11-14, 29, 127		
			2" x 8" Nexus® Pocket Rail	F3P8	11
			1-1/2" x 8" Gorilla® Pocket Rail	F3P1	11
			2" x 7" Sun Pocket Rail	FFS7	12
			2" x 7" Nexus® Pocket Rail	F3P2	12, 127
			1-3/4" x 7" Nexus® Pocket Rail	F3P7	12
			2" x 7" Gorilla® Pocket Rail	F3BF	13, 127
			1-3/4" x 5-1/2" Nexus® Mid-Rail	F3PM	13, 29
			1-3/4" x 5-1/2" Gorilla® Pocket Rail F37C		13, 127
			1-3/4" x 5-1/2" Nexus® Pocket Rail	F3P5	14, 29
			1-1/2" x 5-1/2" Gorilla® Pocket Rail	F32G	14, 29, 127
NEXUS® 1 RAIL SYSTEM- PAGES 51-53			POSTS - PAGES 81-84		
			8" x 8" Standard Post	F06C	73, 82
			6-1/2" x 6-1/2" Gorilla® Post	F08S	73, 82
			6-1/2" x 6-1/2" Gorilla® Post	F08E	73, 82
			6" x 6" Standard Post	F09C	82
			5" x 5" Standard Post	F10C	74, 83
			5" x 5" Utility Post	F10E	74, 83, 127
			5" x 5" Utility Ranch Post	F10J	74, 83

INDEX

Product and Descriptions	Part #	Page #	Product and Descriptions	Part #	Page #
5" x 5" Gorilla® Post	F10K	74, 83	4" to 6" Adjustable Trim Ring		
4" x 4" Gorilla® Post	F12C	83	(4-Piece) Small Radius	TR46WAD	70, 80
4" x 4" Standard Post	F12N	81, 83	PRIVACY PICKETS - PAGES 15-17, 26, 28, 127		
4" x 4" Utility Post	F12E	83	7/8" x 11.3" Gorilla® T&G	F61S	15
4" x 4" Value Post	F12V	83	7/8" x 11.3" Gorilla® Locking Picket F61L		15
3-1/2" x 3-1/2" Utility Post	F13E	84	7/8" x 7" Gorilla® T&G	F62S	16
3-1/4" x 3-1/4" Standard Post	F15S	84	7/8" x 6" Gorilla® T&G	F54G	16, 26, 28, 127
3" x 3" Co-Ex Standard Post	F14C	84	7/8" x 6" Homewood® T&G	F54C	16, 26, 28
			7/8" x 6" Gorilla® Locking Picket	F54L	16
POST CAPS - PAGES 85-88			7/8" x 14" Gorilla® Privacy		
4" External PVC Pyramid Cap	C44PYRA	86	No Emboss Panel	F55B	17
4" External Short Lip PVC			RAIL FOOT - PAGE 70		
Pyramid Cap	C44SHRT	86	Adjustable Rail Foot	RF138	70
5" External PVC Pyramid Cap	C55PYRA	86	RAIL LOCK - PAGE 124		
6-1/2" External PVC Pyramid Cap	C65PYRA	86	Rail Lock	RL15LOCK	124
8" External PVC Pyramid Cap	C88HORSE	86	RIVETS - PAGE 124		
4" Internal PVC Pyramid Cap	C44IPYRA	86	7/8" Dome Head Style Rivet	F875RIVET	124
5" Internal PVC Pyramid Cap	C55IPYRA	87	1" Dome Head Style Rivet	F1RIVET	124
4" PVC New England Cap	C44NE	87	RAIL MOUNTS - PAGE 33		
5" PVC New England Cap	C55NE	87	1-1/2" x 5-1/2" Internal Rail Mount	RM1555	33
4" PVC Classic Cap	C44CLS	87	1-3/4" x 5-1/2" Internal Rail Mount	RM17555	33
5" PVC Classic Cap	C55CLS	87	2" x 3-1/2" Internal Rail Mount	RM235	33
4" PVC Gothic Cap	C44GOTH	87	2" x 6" Internal Rail Mount	RM260	33
5" PVC Gothic Cap	C55GOTH	88	1-1/2" TO 2" W and 5-1/2" TO 7" H		
1-3/8" PVC Gothic Cap			Adjustable External Rail Mount		
Square External	P138GOTH	88	w/Screws	RMEADJ	33
6" PVC Dental Cap	C66DENT	88	REDIPAK PROGRAM - PAGES 126-135		
6-1/2" PVC Dental Cap	C65DENT	88	ROUND COLUMNS & BASE - PAGES 75, 105-106		
			8.40" Round Column	TD84	75, 105-106
POST MOUNTS, GORILLA® MOUNTS, PROFILE & ACCESSORIES - PAGES 113-118			6.625" Round Column	TD64	75, 106
38" Summit® Post Mount	PM384SM	113, 115	8.4" Round Column Base	TC85RCW01	106
Summit® Post Mount			8.4" Round Column Base		
Base Component	PM178ZBASE	115	with Uplift Kit	TC85BRW01	106
Universal Hardware Kit	PMHARDKIT	115	ROUTER BIT - PAGE 124		
Summit® Wrap	PM44WRAP	115	1/4" Single Flute Carbide		
4" Adjustable 2-Piece			Router Bit	T1/4ROUT	124
Post Socket - 1-7/8" Pipe	PS2PC4D178	116	SOLAR POST CAPS & ACCESSORIES - PAGES 91-96		
5" Adjustable 2-Piece			4" Waypoint® Solar Light		reference page 93
Post Socket - 1-7/8" Pipe	PS2PC5D178	116	5" Waypoint® Solar Light		reference page 93
5" Adjustable 1-Piece			4" Copper Top Waypoint®		
Post Socket - 1-7/8" Pipe	PS5DIAM	116	Solar Light		reference page 93
4" Post Mount with Wings	PM44WING	116	5" Copper Top Waypoint®		
5" Post Mount with Wings	PM55WING	116	Solar Light		reference page 93
4" Gorilla® Post Mount			4" Stainless Top Waypoint®		
with Hardware	PM44GORW	117	Solar Light		reference page 93
4" Gorilla® Post Mount			5" Stainless Top Waypoint®		
without Hardware	PM44GORWO	117	Solar Light		reference page 93
5" Gorilla® Post Mount			4" Black Top Waypoint®		
with Hardware	PM55GORW	117	Solar Light with White Base		reference page 94
5" Gorilla® Post Mount			5" Black Top Waypoint®		
without Hardware	PM55GORW0	117	Solar Light with White Base		reference page 94
Vinyl Wedge Component			4" Pearl Top Waypoint®		
for Gorilla® Mount	Wedge	118	Solar Light with White Base		reference page 94
4" Post Trim Component			5" Pearl Top Waypoint®		
for Gorilla® Mount	TR44GOR	118	Solar Light with Black Base		reference page 94
5" Post Trim Component			4" Chestnut Top Waypoint®		
for Gorilla® Mount	TR55GOR	118	Solar Light with White Base		reference page 94
Hardware Kit for Gorilla® Mount	PMGORHARDK	118	5" Chestnut Top Waypoint®		
			Solar Light with Black Base		reference page 94
POST SOCKETS - PAGE 116			4" Forest Top Waypoint®		
4" Adjustable 2-Piece			Solar Light with White Base		reference page 95
Post Socket - 1-7/8" Pipe	PS2PC4D178	116	5" Forest Top Waypoint®		
5" Adjustable 2-Piece			Solar Light with White Base		reference page 95
Post Socket - 1-7/8" Pipe	PS2PC5D178	116	4" Harvest Top Waypoint®		
5" Adjustable 1-Piece			Solar Light with White Base		reference page 95
Post Socket - 1-7/8" Pipe	PS5DIAM	116	5" Harvest Top Waypoint®		
			Solar Light with Black Base		reference page 95
POST WRAPS, GORILLA® WRAPS - PAGES 78-80, 112			4" Sunflower Top Waypoint®		
1-3/4" x 10' Gorilla® Post Wrap			Solar Light with White Base		reference page 95
Corner Trim	FMWC / W17510CRN	79, 112	5" Sunflower Top Waypoint®		
4" x 10' Gorilla® Post Wrap			Solar Light with Black Base		reference page 95
Coverage Slat	FMW4 / W410SLAT	79, 112	4" Grape Top Waypoint®		
6" x 10' Gorilla® Post Wrap			Solar Light with White Base		reference page 96
Coverage Slat	FMW6 / W610SLAT	79, 112	5" Grape Top Waypoint®		
8" x 10' Gorilla® Post Wrap			Solar Light with White Base		reference page 96
Coverage Slat	FMW8 / W810SLAT	79, 112	Replacement Circuit for Solid		
10" x 10' Gorilla® Post Wrap					
Coverage Slat	FMW0 / W1010SLAT	79, 112			
12" x 10' Gorilla® Post Wrap					
Coverage Slat	FMW2 / W1210SLAT	79, 112			
4" x 4" x 10' Gorilla® Post Wrap -					
4 Piece	FPW4 / W410BOX	80			
6" x 6" x 10' Gorilla® Post Wrap -					
4 Piece	FPW6 / W610BOX	80			

UPDATES

January 24, 2017:

Pages-48, 50 & 54

Nexus® Railing Polymer Mounting Bracket Kit

Part # updated to FC3416

Page 73

Images added to coming soon products

August 15, 2017:

Page 17 and 26

Removed F53S and F53U

Page 106

LVX25PL+ Changed box qty on LV light
for metal

Page 82

F09C - 6" x 6" Standard Post

Change Bundle count from 56 to 32

Multiple Pages

Removed Plants with NA from Homeland
Profile boxes.

Pages 127-136

Added RediPak Program

Oct 31, 2017 Changes

T-rail - F35C - Removed NJ Line

Uchannel - F83S - Removed NJ Line

Jan 3 2018 Changes to Draft 16D

Removed Gorilla Lock and Accessories from
Catalog

Jan 17/18, 2018 Changes

• Page 14 & 29

F3P5 - Added 71-1/2" to

AL Homewood section

F32G - Removed all Homewood

• Page 15

F61S - Added Homewood, Utah MTO Only,
(Honey Maple Only)

• Page 16, 26 & 28

F54C - Added 30-1/2" to AL Homewood &
Added (Honey Maple Only) to UT

• Page 17

F56R - Removed UT

- Added NJ-16'

& (Stocked In NJ - White & Tan)

• Page 19

F22C - Added NJ-8', 94", 16'

& (Stocked In NJ - White & Tan)

F27C Homewood- Removed UT

• Page 20

F25B - Removed all Homewood

• Page 21

F82S - Removed UT

F83S - Added (Stocked In UT)

- Added 10' 2"- (Honey Maple Only) to
Homewood UT

- Added NJ , 10'2",

& (Stocked In NJ)

F83U - Added (Stocked In UT)

- Added NJ-58", 58-3/4", 60-7/8", 10'2"
& (Stocked In NJ)

• Page 38, 42, 46, 66

F24E - Added (Honey Maple Only) To UT
Homewood

• Page 63

F41S - Removed UT

F42S - Remove 10', added (Stocked In UT)
Homewood - Remove UT

F42H - Remove UT

F43C - Added (Stocked In UT)

Homewood - Removed UT

F43H - Removed UT

• Page 64

F45S - Remove UT

• Page 65

F65S - Remove UT 35" Added (Stocked In UT)

F57C - Homewood - Remove UT

F48S - Removed UT

• Page 74, 83

F10C - Homewood - Added to UT
(Honey Maple Only)

F10K - Removed 16' from NJ

Added (Stocked In NJ - White)

• Page 83

F12N - Homewood - Added to UT
(Honey Maple Only)