

VGA CCD USB 2.0 Camera



High Resolution CCD
Astrophotography Camera

Outline

Lumenera's SKYnyx2-0 VGA CCD digital camera is specifically designed for lunar, solar and planetary imaging, featuring high sensitivity, low noise and extremely fast frame rates.

With 640x480 resolution and on-board processing, the SKYnyx2-0 delivers outstanding image quality.



Specifically designed for the astrophotography market, this camera's technology and design are based on Lumenera's Lu075 camera - named a 2006 Hot Product by Sky & Telescope Magazine. The SKYnyx2-0 surpasses its predecessor with reduced noise levels and power consumption, ROI, and 60 fps (higher with binning).

SKYnyx2-0 is supported by an experienced team of technical support and imaging experts. We understand your imaging needs and are here to help you get the most out of your camera.

Capture clear, crisp, planetary, lunar and solar images with the SKYnyx2-0.

Performance Features

- ❑ The high-speed USB 2.0 interface eliminates a framegrabber and facilitates ease of installation on both laptop and desktop computers
- ❑ The excellent sensitivity and low noise characteristics of the SKYnyx2-0 CCD image sensor enable users to capture high quality images
- ❑ 60 fps at full 640x480 resolution, with no compression
- ❑ Maximum frame rate exceeds 100 fps with binning and ROI
- ❑ Select 8 & 12-bit pixel data modes
- ❑ The RGB data captured through each pixel contains 36-bits of color image information resulting in 4096 intensity values
- ❑ Both custom design services and a Software Developer's Kit (SDK) are available to help with unique design requirements and software integration
- ❑ SKYnyx2-0 captures images through our 3rd party software partners
- ❑ SKYnyx2-0 cameras are software compatible with Windows™ 98 SE, Windows ME, Windows 2K, Windows XP, and Windows Vista operating systems
- ❑ Full one (1) year warranty

Image taken by Rainer Ehlert

Specifications

SKYnyx2-0

Camera Sensor

Image Sensor	1/3" Sony ICX424 VGA color or monochrome progressive scan CCD sensor 5.8mm x 4.9mm array
Effective Pixels	640x480, 7.4µm square pixels
Frame Rate	60 fps at full resolution, higher fps with binning and ROI
Dynamic Range	>60dB
Digital Output	8 and 12-bit
Read Noise	10 e- rms
Dark Current	<1 e-/s
Binning Options	2x2

Camera Controls

Mass	320g
Power Requirement	USB bus power, or external 5VDC - 500mA
Power Consumption	~2.5Watts
Operating Temperature	0°C to +50°C
Operating Humidity	5%-95%, Non-condensing
Integration Time	1/1000 to 16 sec.
Shutter	Global Shutter
ROI	User Selectable
Auto Exposure	Automatic / Manual
White Balance	Automatic / Manual
Gain	Programmable / 1 to 10x optimizable
Interface Connector	Standard USB 2.0 high-speed interface
Dimensions (W x H x D)	2.52 x 3.85 x 1.68 inches
Lens Mount	T-Mount

Recommended PC Specs:

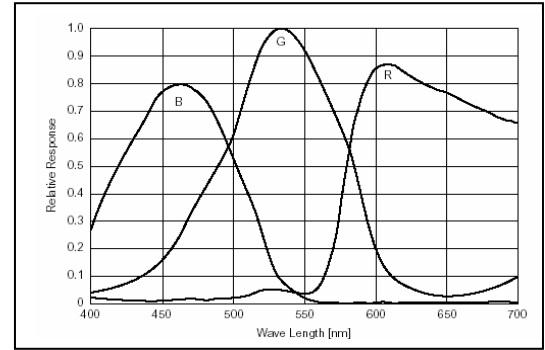
- Pentium 4, 1.3GHz or higher
- 512Mb RAM
- 60 MB hard drive free space or more
- USB 2.0 Port
- Windows XP or Vista

Minimum PC Specs:

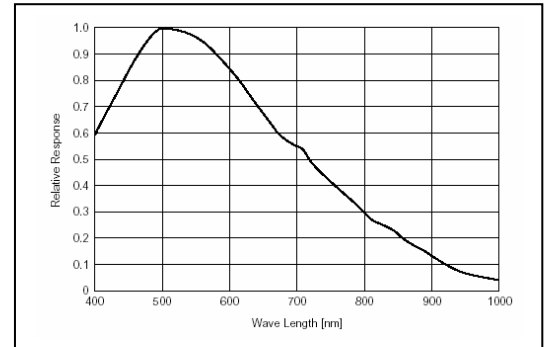
- 600MHz Processor
- 256Mbytes of SDRAM
- 20 MB hard drive free space
- USB 2.0 Port
- Windows 98 or ME

Product Includes:

- SKYnyx2-0 digital camera for USB 2.0
- CD-ROM with drivers
- USB 2.0 2m cable



Color Response Curve



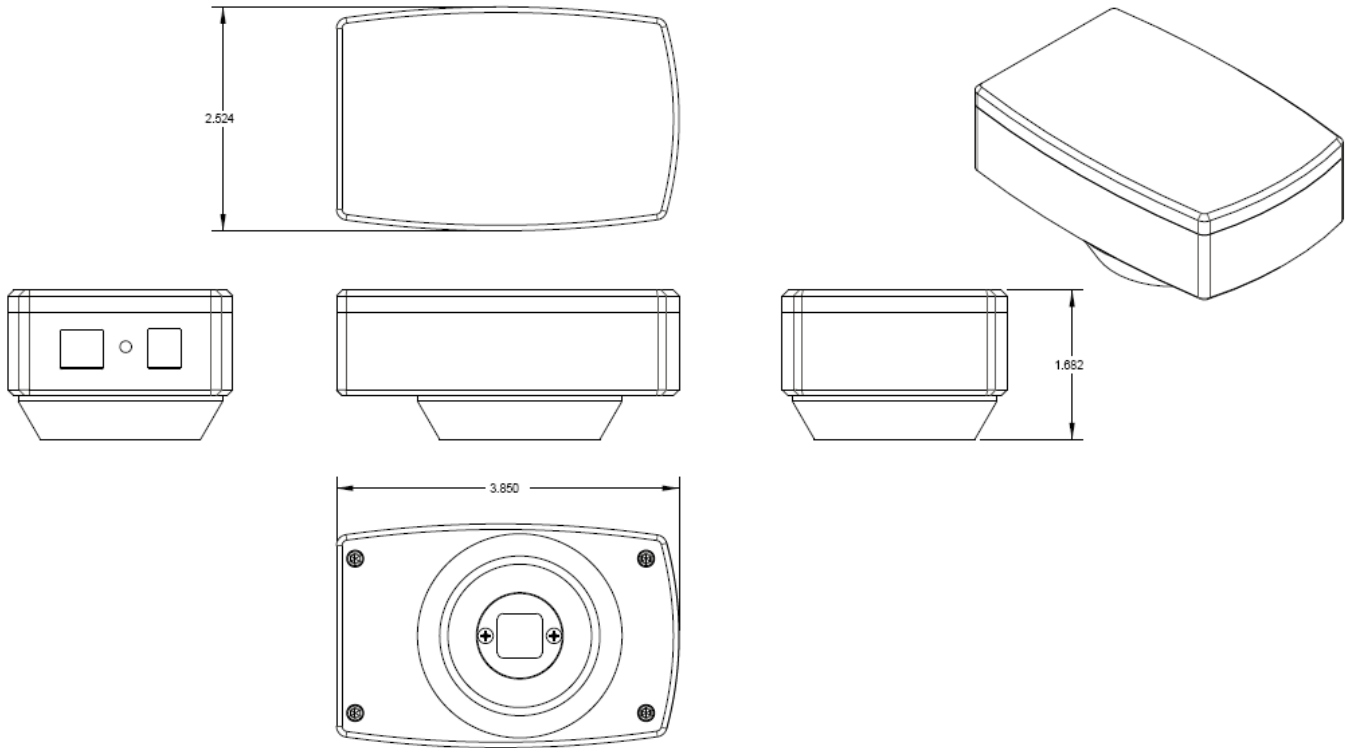
Mono Response Curve

Ordering Information

SKYnyx2-0C – Color Camera

SKYnyx2-0M – Monochrome Camera

**Full customization available
to meet your exact needs!**



SKYnyx CAMERA