

The QS14 cooled CCD camera from Atik Cameras features Sony's 1.4MP low noise progressive scan sensor. High resolution with low read out noise and 4fps (preview) is a combination designed to provide images which are ideally suited to many scientific applications in low light conditions. The form factor of the QS14 provides a compact overall package where space in the imaging axis is at a premium. All Atik cameras are supplied with a comprehensive software development kit and are also fully compatible with popular 3rd party image acquisition programs.

This standard product from Atik can be adapted as a semi-custom camera for specific OEM applications. Contact us for more information.

Atik QS14	
Sensor Mono	ICX285AL
Sensor Colour	ICX285AQ
Sensor diagonal	11.0 mm
Sensor Format	2/3
Resolution H	1392 pixels
Resolution V	1040 pixels
Pixel L & W	6.45µm
Noise	9e- (Typ)
ADC	16 bit
Cooling	T _(amb) -20°C *
Dark Current	0.01e-/p/s at -10°C
Back Focus	12mm
Weight	400g
Interface	USB 2.0
Power (Cooler)	12VDC 0.8A (Centre Positive)

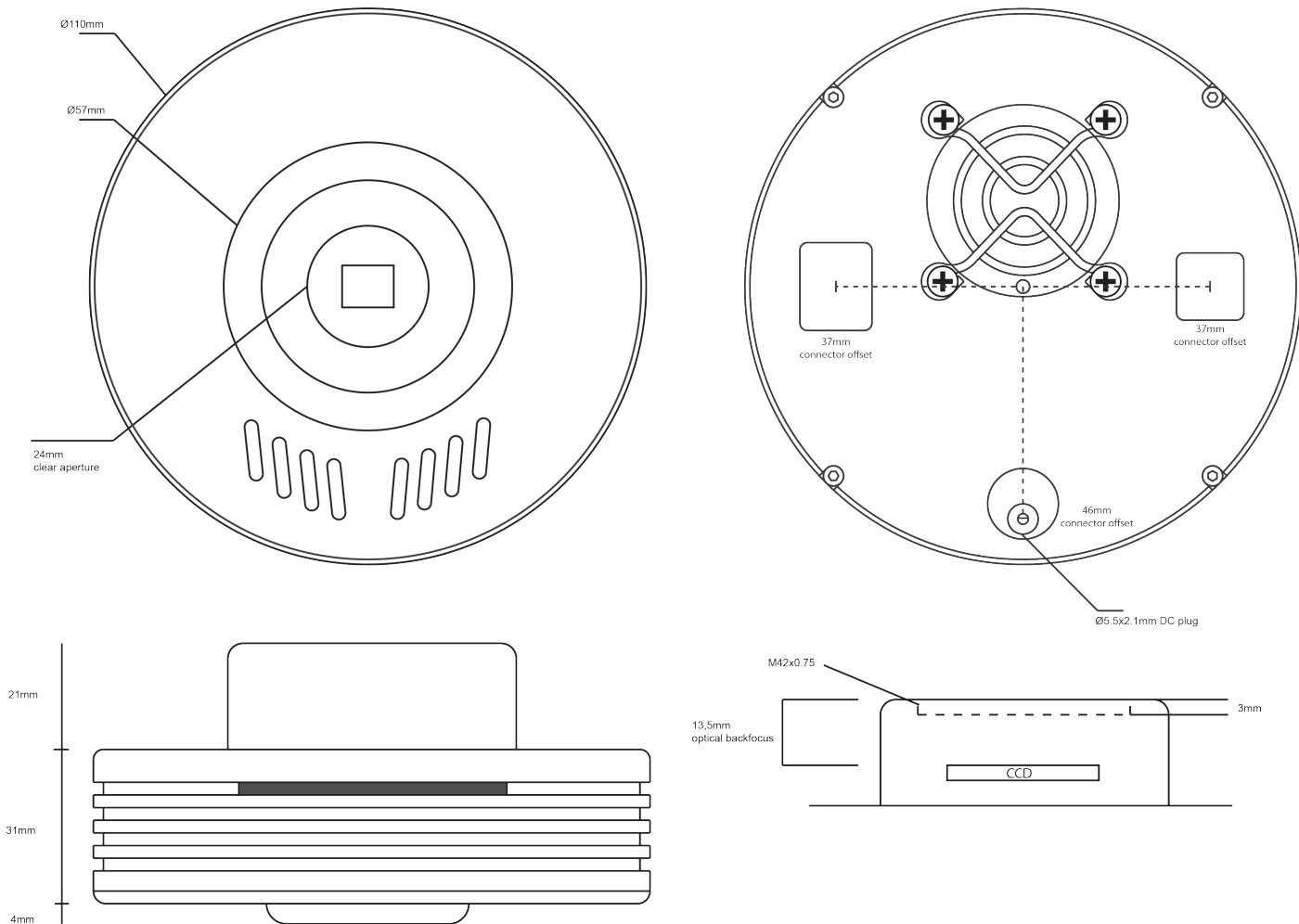


Software Development Kit (SDK)

- » C++ Library covering all camera functions
- » Visual Basic wrapper
- » .net Wrapper
- » ImageJ plug in
- » LabView Driver
- » Linux Driver

*The 12V supply for the thermoelectric cooler should be turned off when the camera is not in use

Outline Drawing



Available Accessories

- >> Universal Power Supply (90-240VAC)/DC 12V
- >> C-Mount lens adaptor

Service Item

- >> Desiccant Cartridge

Contact Details

For enquiries, please use the contact details below:

Artemis CCD Ltd
Unit 8 Lodge Farm Barns
New Road
Bawburgh
Norwich
NR9 3LZ
United Kingdom

T: +44 (0)1493 740397
F: +44 (0)1603 340600
E: sales@atik-cameras.com

Ordering Information:

Atik-QS14-Y

- >> Y : M = Monochrome, C = Colour