

## STANDARD LIFT DOOR DAMPERS



The extremely high quality and corresponding service life of the DICTATOR Standard lift door dampers is unparalleled – even if they are often imitated and copied. We offer many different models for many different doors: more than 30 models and new ones being added.









Here you will find information about the most often used models. If you can't find your model, please contact us.

## TABLE OF CONTENTS - STANDARD LIFT DOOR DAMPERS

	Page
 <p><b>General information on Standard lift door dampers</b> ..... 01.02.05 General information, functioning</p>	
 <p><b>DICTATOR Standard G</b> ..... 01.02.06 The most widely-used lift door damper</p>	
 <p><b>DICTATOR Standard Schindler Alu</b> ..... 01.02.08 The door damper for Schindler lift doors</p>	
 <p><b>DICTATOR Standard Ceita</b> ..... 01.02.09 The lift door damper for lift doors of the Italian brands Ceita/Fiam</p>	
 <p><b>DICTATOR Standard Bassetti</b> ..... 01.02.10 The lift door damper for hinged lift doors of the Italian brand Bassetti</p>	
 <p><b>DICTATOR Standard Ciocca</b> ..... 01.02.11 The lift door damper for hinged lift doors of the Italian brand Ciocca</p>	
 <p><b>DICTATOR Standard Savof</b> ..... 01.02.12 The lift door damper for hinged lift doors of the Italian brand Savof</p>	
 <p><b>DICTATOR Standard Española</b> ..... 01.02.13 The lift door damper for Spanish lift doors</p>	
 <p><b>DICTATOR Standard Medasa</b> ..... 01.02.14 The lift door damper for hinged lift doors of the Spanish brand Medasa</p>	
 <p><b>DICTATOR Standard Orona</b> ..... 01.02.15 The lift door damper for hinged lift doors of the Spanish brand Orona</p>	
 <p><b>DICTATOR Standard Fortis</b> ..... 01.02.16 The lift door damper for hinged lift doors of the Portuguese brand Fataleva-Fortis</p>	
 <p><b>DICTATOR Standard Boetticher</b> ..... 01.02.17 The lift door damper for hinged lift doors of the Spanish brand Boetticher</p>	
 <p><b>DICTATOR Standard F</b> ..... 01.02.18 The lift door damper for French hinged lift doors</p>	

Subject to technical changes. No claim for compensation in case of errors.

**TABLE OF CONTENTS - STANDARD LIFT DOOR DAMPERS**

	Page
 <p><b>DICTATOR Standard Haushahn</b> ..... 01.02.19 The lift door damper for hinged lift doors of the brand Haushahn</p>	01.02.19
 <p><b>DICTATOR Standard Haushahn</b> ..... 01.02.20 The lift door damper for Haushahn sliding lift doors</p>	01.02.20
 <p><b>DICTATOR Standard TEKA</b> ..... 01.02.21 The lift door damper for Swedish hinged lift doors</p>	01.02.21
 <p><b>DICTATOR Standard 1500BS</b> ..... 01.02.22 The lift door damper for hinged Otis lift doors</p>	01.02.22
 <p><b>DICTATOR Standard 1500OT</b> ..... 01.02.23 The lift door damper for hinged Otis lift doors</p>	01.02.23
 <p><b>DICTATOR Standard 1500SH</b> ..... 01.02.24 The lift door damper Standard Holland for hinged lift doors</p>	01.02.24
 <p><b>DICTATOR Standard 1500VS</b> ..... 01.02.25 The lift door damper for hinged lift doors of Schindler and Thyssen</p>	01.02.25
 <p><b>Inlet hook</b> ..... 01.02.26 For DICTATOR lift door dampers</p>	01.02.26

# Standard lift door dampers: general information



Website



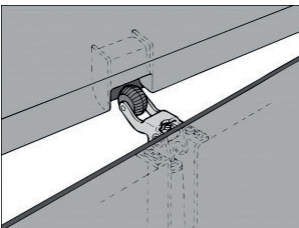
## DESCRIPTION

The original DICTATOR Standard door checks stand out due to their very high quality and reliable functioning. The DICTATOR product range includes about 30 models - and still new, customized models are added. The operational life of the DICTATOR door checks is far more than 1 million cycles. The adjoining illustration shows two DICTATOR lift door dampers Schindler Alu: one of them has already damped 1 million door closings!

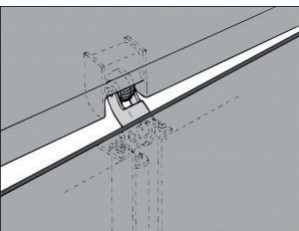
## CHARACTERISTICS

- The progressive damping behaviour ensures a quiet, optimal closing. This is only possible because the cylinders are turned from solid materials. Therefore, doors close without banging and do not spring back which could cause malfunctions or damage the door contacts.
- The bearings of the operating arm are made of extremely resistant sintered iron.
- The rubber roller is made of abrasion-proof rubber with a firmly molded-in bush.
- The operational life of the DICTATOR door checks is far more than 1 million cycles.

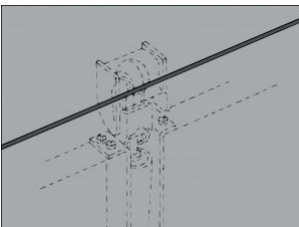
## FUNCTIONING



When opening the door the operating arm is pushed downwards and thus tensions the spring in the damping cylinder of the door check. When the door is closed, e.g. by a torsion spring, the operating arm with the roller enters the inlet hook in the door frame.



The hydraulic damping cylinder prevents the slamming of the door: It dampens the closing movement of the door and closes the door softly and without noise.



Finally the door check closes the door completely and keeps it firmly closed by the integrated spring, even against wind, thus preventing failures of the lift due to a not completely closed landing door. This enables the electrical contacts in the door to work reliably and with minimum wear. Thereby the DICTATOR Standard lift door damper ensures the smooth functioning of the lift - and it prevents noise due to banging doors.

# DICTATOR Standard G

The most widely-used lift door damper



## DESCRIPTION

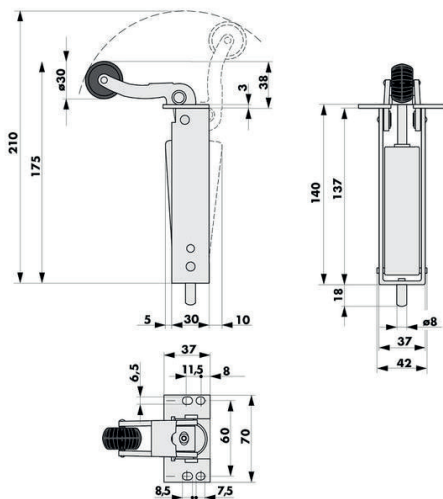
The DICTATOR lift door damper Standard G (Germany) is the most used door damper in European hinged lift doors. It is also the replacement for the former Standard E (Europe). Besides the standard model, there are some special versions available (see 'Dimensions').

## DIMENSIONS

All dimensions in mm

### Standard G lift door damper

The dimensions shown in the adjoining drawing apply to all models of the Standard G - except the special models below.

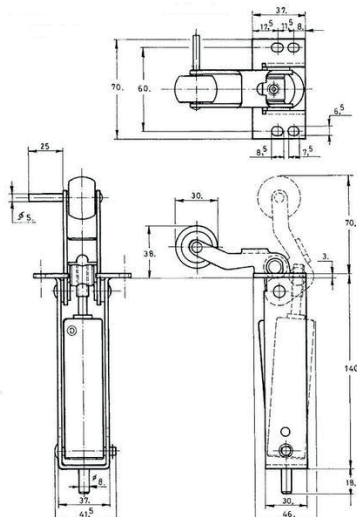


## TECHNICAL DATA

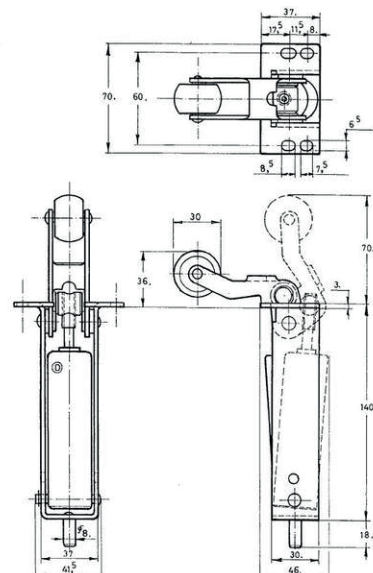
Damping characteristics	progressive
Damping fluid	silicone oil
Material	steel, zinc-plated; casing AISI 304, cylinder zinc-plated
Closing speed	adjustable
Closing force	20 N; 50 N; 80 N; 115 N
Type of doors	hinged lift doors

### Standard G with extended rubber roller axis

Pictured: Standard G with rubber roller axis extended to the right (Part no. 203001). The extended axis of the left version protrudes on the left side (Part no. 203001L).



### Standard G lift door damper, roller lever 2 mm ground off (Part no. 101009)



**ORDER INFORMATION**

Description	Part no.
Lift door damper Standard G, 20 N, zinc-plated	101000
Lift door damper Standard G, 50 N, zinc-plated	101001
Lift door damper Standard G, 80 N, zinc-plated in yellow	101002
Lift door damper Standard G, 115 N, zinc-plated	101006
Lift door damper Standard G, 80N casing stainless steel, cylinder zinc-plated	101008
Lift door damper Standard G, 50 N, zinc-plated, 2 mm abraded off roller lever (upper edge of roller <> casing = 36 mm)	101009
Lift door damper Standard G, 20 N, zinc-plated, with axle of the rubber roller elongated to one side (right)	203001
Lift door damper Standard G, 20 N, zinc-plated, with axle of the rubber roller elongated to one side (left)	203001L

# DICTATOR Standard Schindler Alu

The door damper for Schindler lift doors



Website

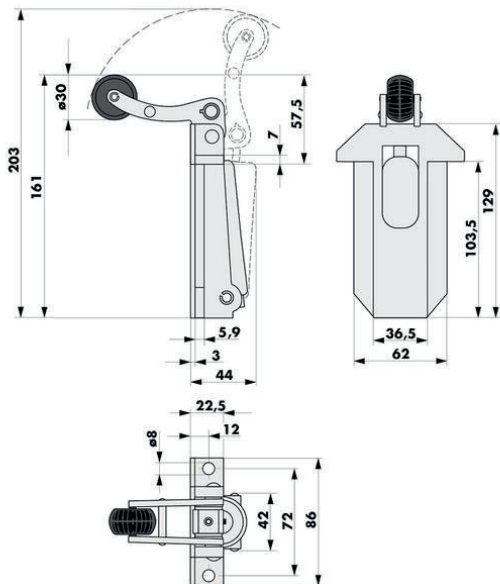
## DESCRIPTION

The body of the DICTATOR lift door damper Standard Schindler Alu (GSAL) is made of very precise die cast aluminum. This ensures an optimum fitting and thus a very long operational life. It is used in Schindler lift swing doors.



## DIMENSIONS

All dimensions in mm



## TECHNICAL DATA

Damping characteristics	progressive
Damping fluid	silicone oil
Material	pressure casted aluminium casing, lever zinc-plated steel
Closing speed	adjustable
Closing force	50 N; 80 N; 115 N
Type of doors	hinged lift doors

## INSTALLATION



Installation instructions

## ORDER INFORMATION

Description	Part no.
Lift door damper Standard Schindler Alu, 50 N	102100
Lift door damper Standard Schindler Alu, 80 N	102102

# DICTATOR Standard Ceita

The lift door damper for lift doors of the Italian brands Ceita/Fiam



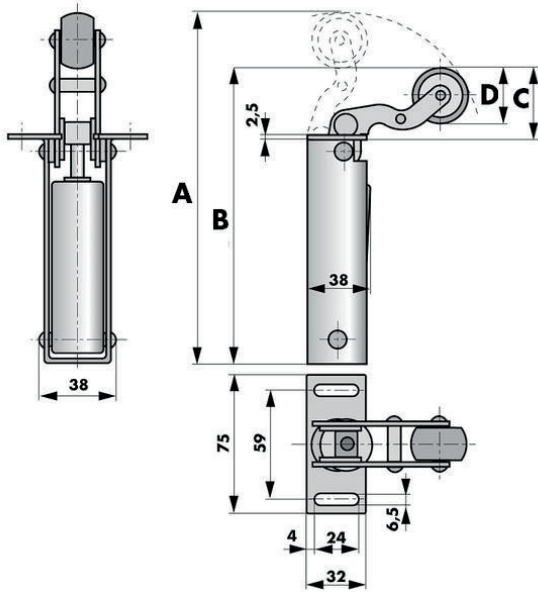
Website

## DESCRIPTION

The DICTATOR lift door damper Standard Ceita is available with two different rubber roller diameters:  $\varnothing 24$  or  $\varnothing 30$ .

## DIMENSIONS

All dimensions in mm



	Small roller $\varnothing 24$	Large roller $\varnothing 30$
A	188	191
B	157,5	160,5
C	32	35
D	$\varnothing 24$	$\varnothing 30$



## TECHNICAL DATA

Damping characteristics	progressive
Damping fluid	silicone oil
Material	steel, zinc-plated
Closing speed	adjustable
Closing force	43 N

## INSTALLATION



Installation instructions

## ORDER INFORMATION

Description	Part no.
Lift door damper Standard C, 43 N, small roller, zinc-plated	100006
Lift door damper Standard C, 43 N, large roller, zinc-plated	100007



# DICTATOR Standard Bassetti

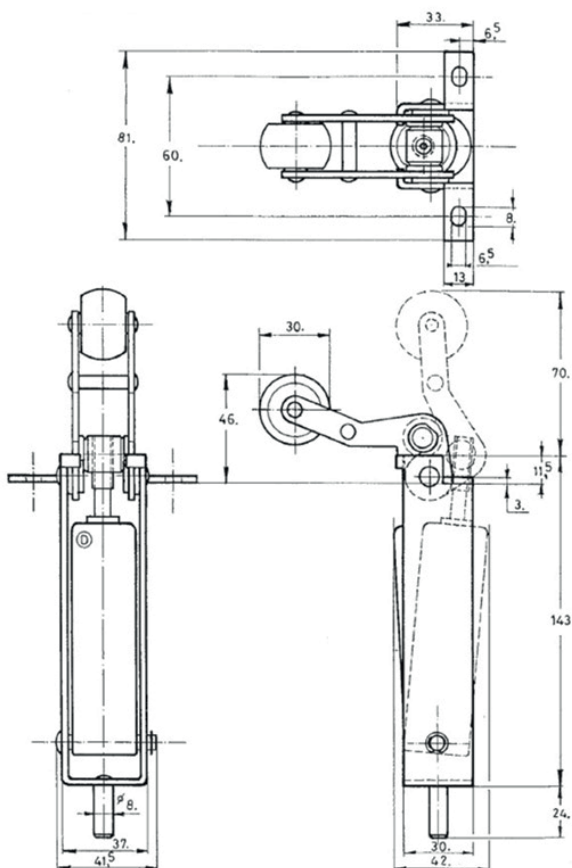
The lift door damper for hinged lift doors of the Italian brand Bassetti



Website

## DIMENSIONS

All dimensions in mm



## TECHNICAL DATA

Damping characteristics	progressive
Damping fluid	silicone oil
Material	steel, zinc-plated
Closing speed	adjustable
Closing force	50 N
Type of doors	hinged lift doors

## INSTALLATION



Installation instructions

## ORDER INFORMATION

Description	Part no.
Lift door damper Standard Bassetti, 50 N, zinc-plated	100003

# DICTATOR Standard Ciocca

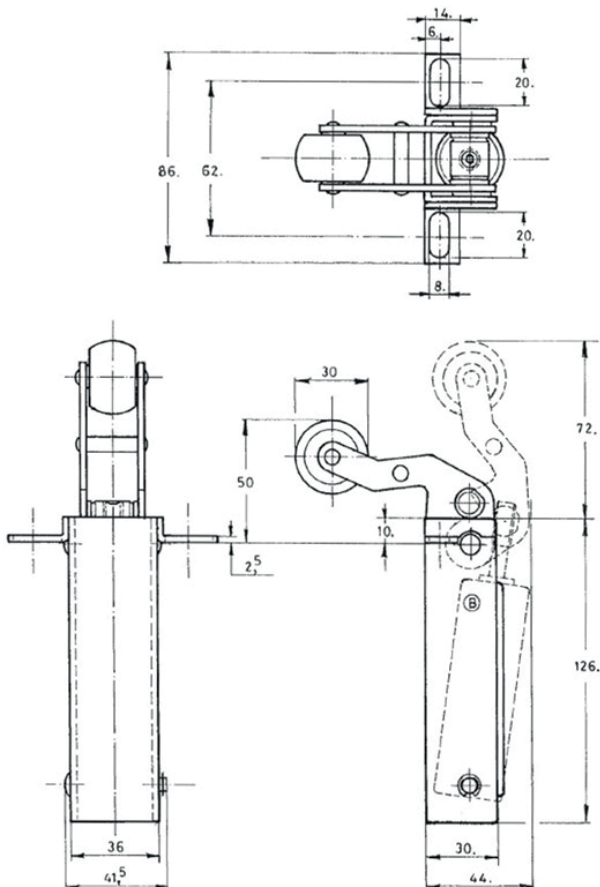
The lift door damper for hinged lift doors of the Italian brand Ciocca



Website

## DIMENSIONS

All dimensions in mm



## TECHNICAL DATA

Damping characteristics	progressive
Damping fluid	silicone oil
Material	steel zinc-plated
Closing speed	adjustable
Closing force	50 N
Type of doors	hinged lift doors

## INSTALLATION



Installation instructions

## ORDER INFORMATION

Description	Part no.
Lift door damper Standard Ciocca, 50 N, zinc-plated	102750

# DICTATOR Standard Savof

The lift door damper for hinged lift doors of the Italian brand Savof



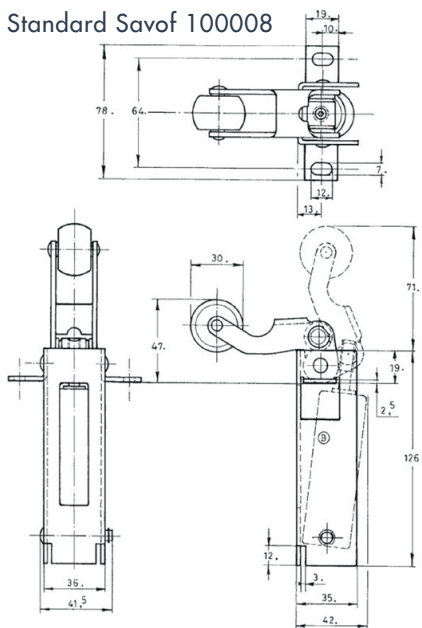
## DESCRIPTION

For lift doors of the brand Savof DICTATOR provides three different models. The type with the part number 100018 is intended for surface installation.

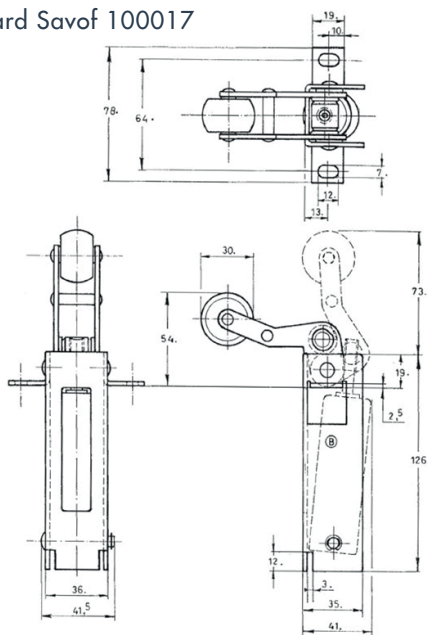
## DIMENSIONS

All dimensions in mm

Standard Savof 100008



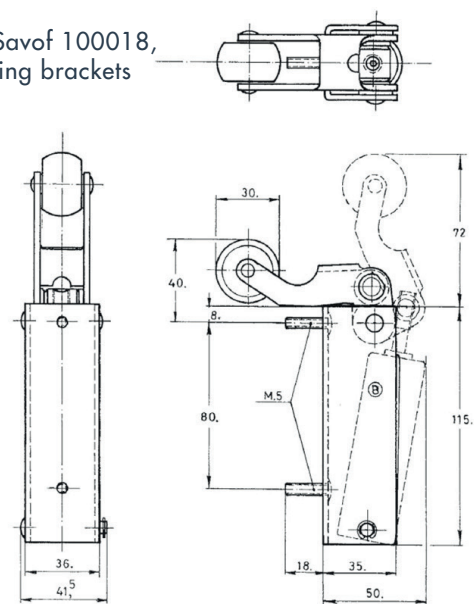
Standard Savof 100017



## TECHNICAL DATA

Damping characteristics	progressive
Damping fluid	silicone oil
Material	steel, zinc-plated
Closing speed	adjustable
Closing force	50 N
Type of doors	hinged lift doors

Standard Savof 100018, without fixing brackets



## ORDER INFORMATION

Description	Part no.
Lift door damper Standard Savof, 50 N, zinc-plated, with bracket	100008
Lift door damper Standard Savof, 50 N, zinc-plated, with bracket and higher lever	100017
Lift door damper Standard Savof, 20 N, zinc-plated, no bracket, with 2 screws M5	100018

# DICTATOR Standard Española

The lift door damper for Spanish lift doors



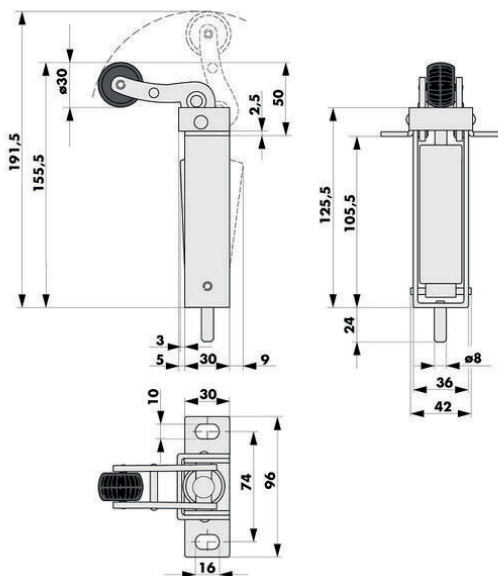
Website

## DESCRIPTION

The DICTATOR lift door damper used most frequently in Spanish lift doors is the Standard Española.

## DIMENSIONS

All dimensions in mm



## TECHNICAL DATA

Damping characteristics	progressive
Damping fluid	silicone oil
Material	steel, zinc-plated
Closing speed	adjustable
Closing force	50 N; 80 N

## INSTALLATION



Installation instructions

## ORDER INFORMATION

Description	Part no.
Lift door damper Standard Española, 80 N, zinc-plated	105001
Lift door damper Standard Española, 50 N, zinc-plated	105000

# DICTATOR Standard Medasa

The lift door damper for hinged lift doors of the Spanish brand Medasa



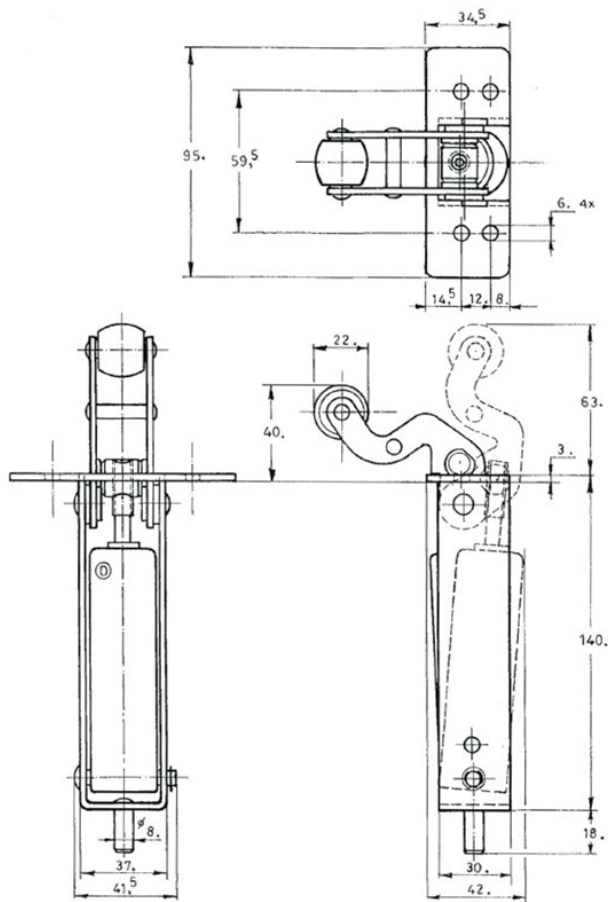
Website

## DESCRIPTION

The lift door damper Standard Medasa has a rubber roller with a diameter of only 22 mm.

## DIMENSIONS

All dimensions in mm



## TECHNICAL DATA

Damping characteristics	progressive
Damping fluid	silicone oil
Material	steel, zinc-plated
Closing speed	adjustable
Closing force	50 N
Type of doors	hinged lift doors

## INSTALLATION



Installation instructions

## ORDER INFORMATION

Description	Part no.
Lift door damper Standard Medasa, 50 N, zinc-plated, (MAC648)	102700

# DICTATOR Standard Orona

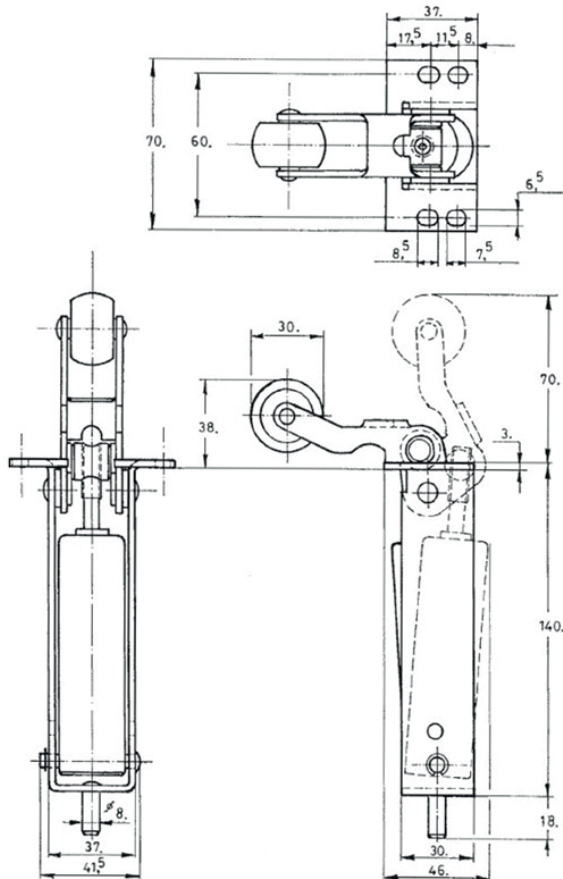
The lift door damper for hinged lift doors of the Spanish brand Orona



Website

## DIMENSIONS

All dimensions in mm



## TECHNICAL DATA

Damping characteristics	progressive
Damping fluid	silicone oil
Material	steel, zinc-plated
Closing speed	adjustable
Closing force	50 N
Type of doors	hinged lift doors

## INSTALLATION



Installation instructions

## ORDER INFORMATION

Description	Part no.
Lift door damper Standard ORONA, 50 N, zinc-plated	100012

# DICTATOR Standard Fortis



Website

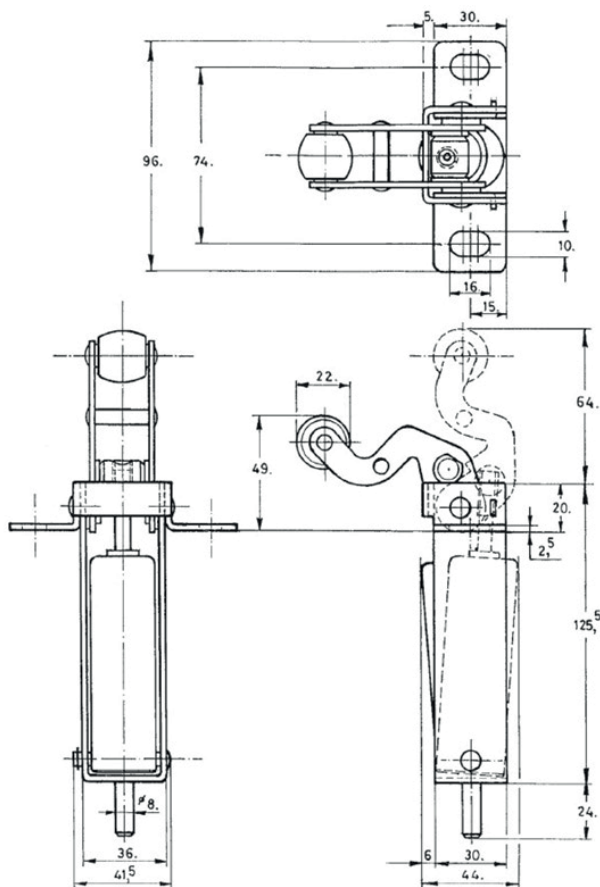
The lift door damper for hinged lift doors of the Portuguese brand Fataleva-Fortis

## DESCRIPTION

Same as the Standard Medasa the DICTATOR Standard Fortis has a rubber roller with a diameter of only 22 mm.

## DIMENSIONS

All dimensions in mm



## TECHNICAL DATA

Damping characteristics	progressive
Damping fluid	silicone oil
Material	steel, zinc-plated
Closing speed	adjustable
Closing force	50 N
Type of doors	hinged lift doors

## INSTALLATION



Installation instructions

## ORDER INFORMATION

Description	Part no.
Lift door damper Standard Fortis, 50 N, zinc-plated	105010

# DICTATOR Standard Boetticher

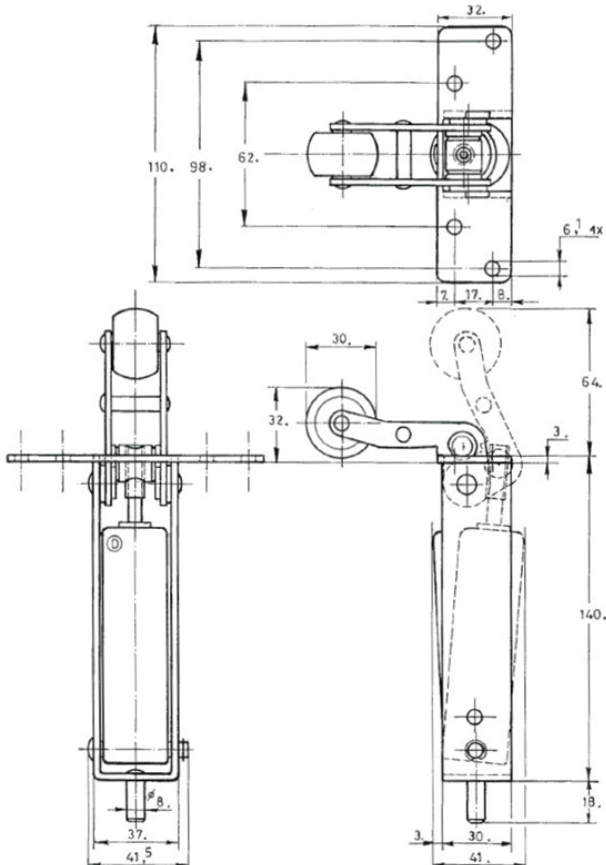
The lift door damper for hinged lift doors of the Spanish brand Boetticher



Website

## DIMENSIONS

All dimensions in mm



## TECHNICAL DATA

Damping characteristics	progressive
Damping fluid	silicone oil
Material	steel, zinc-plated
Closing speed	adjustable
Closing force	50 N
Type of doors	hinged lift doors

## INSTALLATION



Installation instructions

## ORDER INFORMATION

Description	Part no.
Lift door damper Standard Boetticher, 50 N, zinc-plated, (MAC642)	102701



# DICTATOR Standard F

The lift door damper for French hinged lift doors



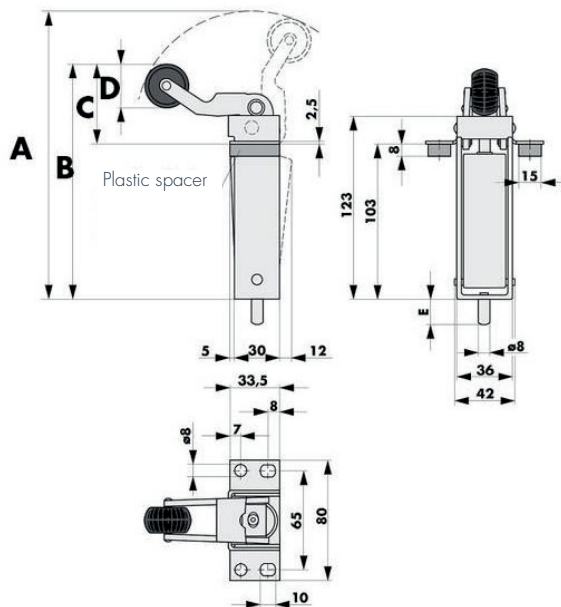
Website

## DESCRIPTION

The DICTATOR lift door damper Standard F (France) is available with two different rubber rollers and without final latch (standard) or with final latch. Two plastic spacers supplied along with the door check may be used to adjust it to differing heights.

## DIMENSIONS

All dimensions in mm



## TECHNICAL DATA

Damping characteristics	progressive
Damping fluid	silicone oil
Material	steel, zinc-plated
Closing speed	adjustable
Closing force	50 N

Part No.	Roller Ø 30 mm		Roller Ø 34 mm	
	102500	102501	102600	102601
A	194	196	196	198
B	153	150	155	152
C	50	47	52	49
D	Ø 30	Ø 30	Ø 34	Ø 34
Final latch	yes	no	yes	no

## INSTALLATION



Installation instructions

## ORDER INFORMATION

Description	Part no.
Lift door damper Standard F, 50 N, zinc-plated, standard roller, with final latch	102500
Lift door damper Standard F, 50 N, zinc-plated, standard roller	102501
Lift door damper Standard F, 50 N, zinc-plated, large roller, with final latch	102600
Lift door damper Standard F, 50 N, zinc-plated, large roller	102601

# DICTATOR Standard Haushahn

The lift door damper for hinged lift doors of the brand Haushahn



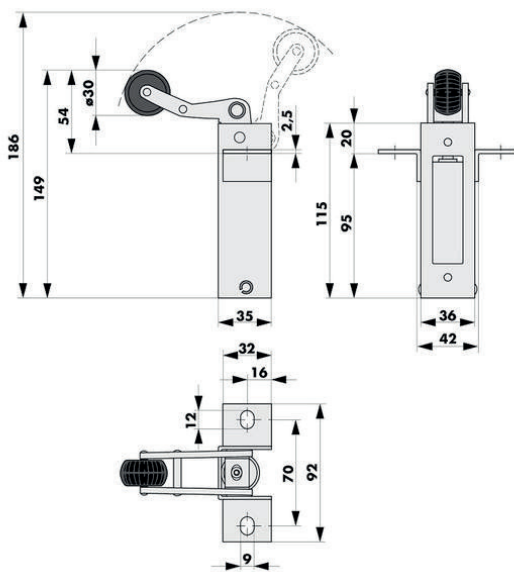
Website

## DESCRIPTION

The DICTATOR lift door damper Standard Haushahn is designed for Haushahn hinged doors. There is also a special version for Haushahn sliding lift doors.

## DIMENSIONS

All dimensions in mm



## TECHNICAL DATA

Damping characteristics	progressive
Damping fluid	silicone oil
Material	steel, zinc-plated
Closing speed	adjustable
Closing force	50 N

## INSTALLATION



Installation instructions

## ORDER INFORMATION

Description	Part no.
Lift door damper Standard Haushahn, 50 N, zinc-plated	203008

# DICTATOR Standard Haushahn for sliding doors

For sliding doors of the Haushahn brand



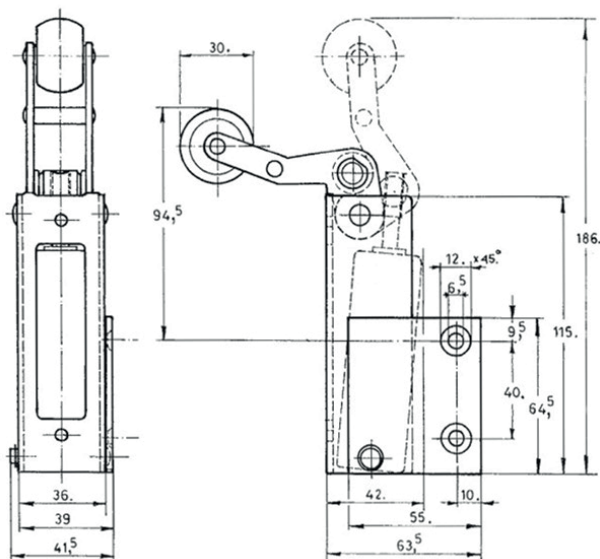
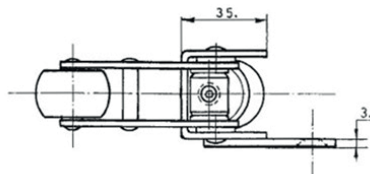
Website

## DESCRIPTION

Usually the DICTATOR door dampers are used on hinged doors. One model, however, is designed for the sliding Haushahn lift doors. The Standard Haushahn makes sure that the final closing of the lift door is damped smoothly and also that the door is reliably and completely closed.

## DIMENSIONS

All dimensions in mm



## TECHNICAL DATA

Damping characteristics	progressive
Damping fluid	silicone oil
Material	steel, zinc-plated
Closing speed	adjustable
Closing force	20 N
Type of doors	sliding doors

## INSTALLATION



Installation instructions

## ORDER INFORMATION

Description	Part no.
Lift door damper Standard Haushahn, 20 N, zinc-plated, for sliding doors, bracket on the left	203006
Lift door damper Standard Haushahn, 20 N, zinc-plated, for sliding doors, bracket on the right	203026

# DICTATOR Standard TEKA

The lift door damper for Swedish hinged lift doors



Website

## DESCRIPTION

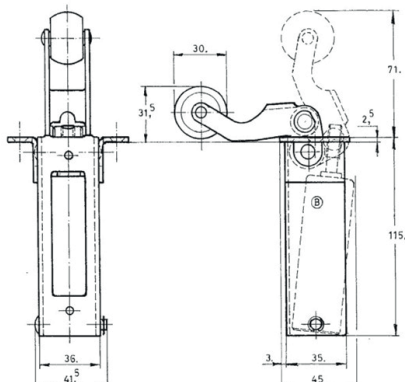
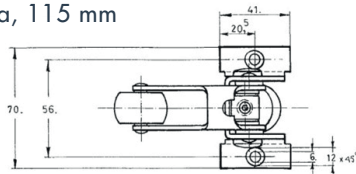
For Swedish hinged lift doors DICTATOR supplies two different models:

- DICTATOR Standard TEKA, part no. 101003
- DICTATOR Standard G TEKA, part no. 101004

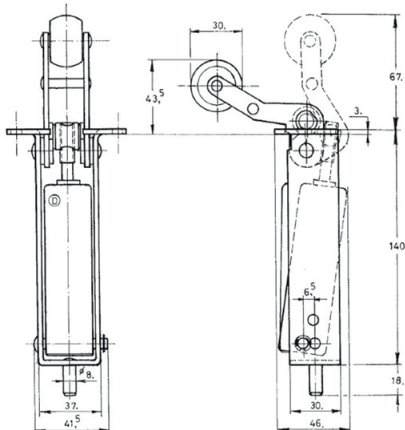
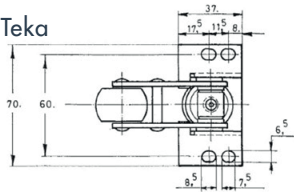
## DIMENSIONS

All dimensions in mm

Standard G Teka, 115 mm



Standard Teka



## TECHNICAL DATA

Damping characteristics	progressive
Damping fluid	silicone oil
Material	steel, zinc-plated
Closing speed	adjustable
Closing force	50 N
Type of doors	hinged lift doors

## INSTALLATION



Installation instructions

## ORDER INFORMATION

Description	Part no.
Lift door damper Standard TEKA, 50 N zinc-plated	101003
Lift door damper Standard G TEKA, 50 N, zinc-plated, TEKA casing 115 mm high	101004

# DICTATOR Standard 1500BS

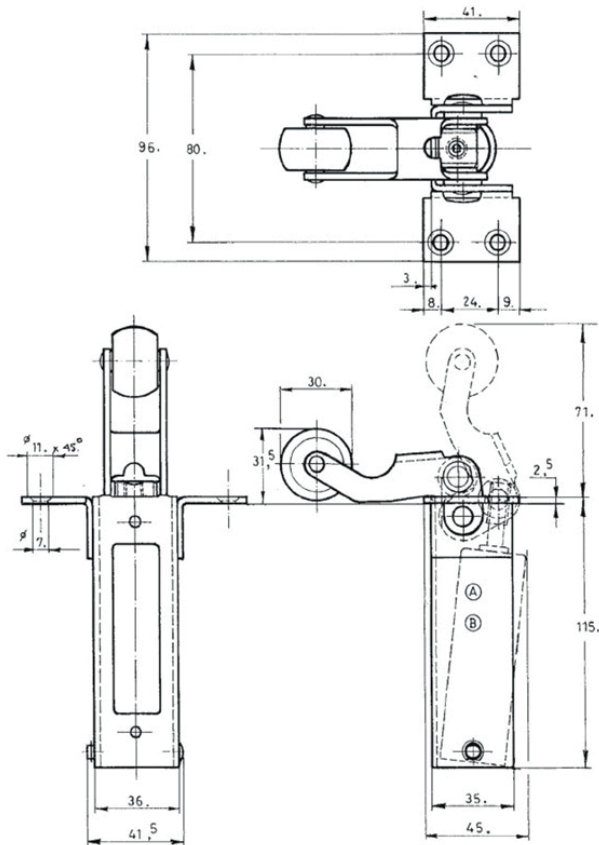
The lift door damper for hinged Otis lift doors



Website

## DIMENSIONS

All dimensions in mm



## TECHNICAL DATA

Damping characteristics	progressive
Damping fluid	silicone oil
Material	steel, zinc-plated
Closing speed	adjustable
Closing force	50 N
Type of doors	hinged lift doors

## INSTALLATION



Installation instructions

## ORDER INFORMATION

Description	Part no.
Lift door damper Z 1500 BS, 50 N, zinc-plated	300369

# DICTATOR Standard 1500OT

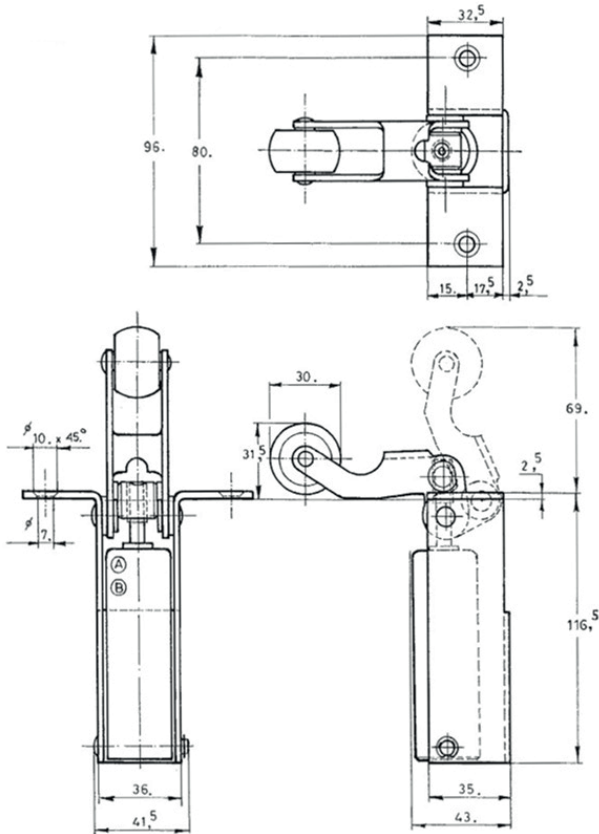
The lift door damper for hinged Otis lift doors



Website

## DIMENSIONS

All dimensions in mm



## TECHNICAL DATA

Damping characteristics	progressive
Damping fluid	silicone oil
Material	steel, zinc-plated
Closing speed	adjustable
Closing force	50 N
Type of doors	hinged lift doors

## INSTALLATION



Installation instructions

## ORDER INFORMATION

Description	Part no.
Lift door damper Z 1500 OT, 50 N, zinc-plated	300383

# DICTATOR Standard 1500SH

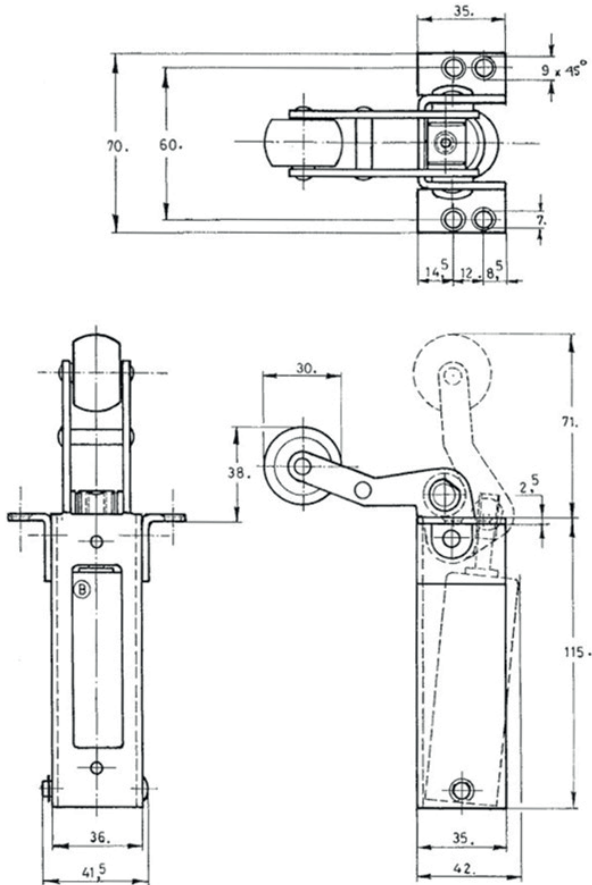
The lift door damper Standard Holland for hinged lift doors



Website

## DIMENSIONS

All dimensions in mm



## TECHNICAL DATA

Damping characteristics	progressive
Damping fluid	silicone oil
Material	steel, zinc-plated
Closing speed	adjustable
Closing force	50 N
Type of doors	hinged lift doors

## INSTALLATION



Installation instructions

## ORDER INFORMATION

Description	Part no.
Lift door damper Z 1500 SH, 50 N, zinc-plated	300384

# DICTATOR Standard 1500VS

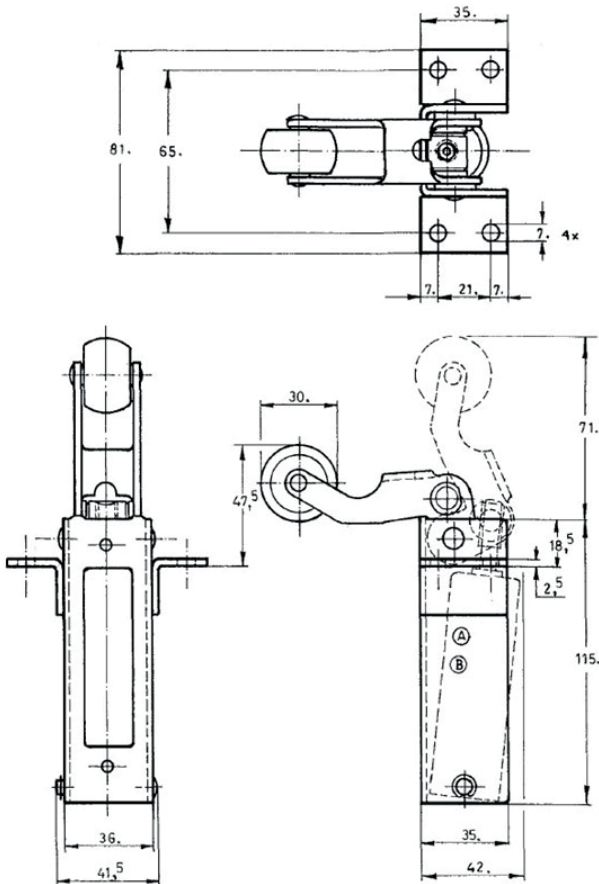
The lift door damper for hinged lift doors of Schindler and Thyssen



Website

## DIMENSIONS

All dimensions in mm



## TECHNICAL DATA

Damping characteristics	progressive
Damping fluid	silicone oil
Material	steel, zinc-plated
Closing speed	adjustable
Closing force	50 N
Type of doors	hinged lift doors

## INSTALLATION



Installation instructions

## ORDER INFORMATION

Description	Part no.
Lift door damper Z 1500 VS, 50 N, zinc-plated	300382



# Inlet Hook

for DICTATOR lift door dampers



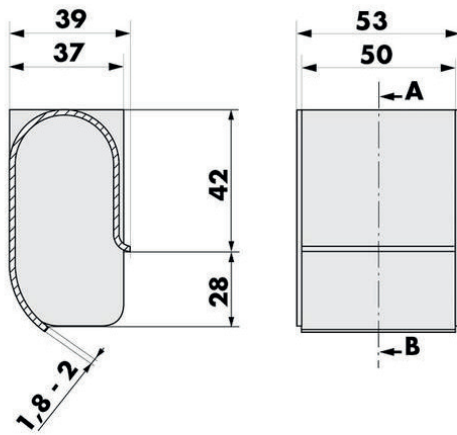
Website

## DESCRIPTION

The DICTATOR inlet hook can be used for most Standard lift door dampers. As it is matched exactly for the movement of the DICTATOR Standard door checks, an optimum damping is achieved. When the door is closing the approaching roller of the damper enters the inlet hook and is turned upward. This closes the door completely.

## DIMENSIONS

All dimensions in mm



## TECHNICAL DATA

Material	steel
Type of doors	hinged lift doors

## INSTALLATION



Installation instructions

## ORDER INFORMATION

Description	Part no.
Inlet hook (made of steel)	103100

