

FLIR FLEA[®]2 1394b

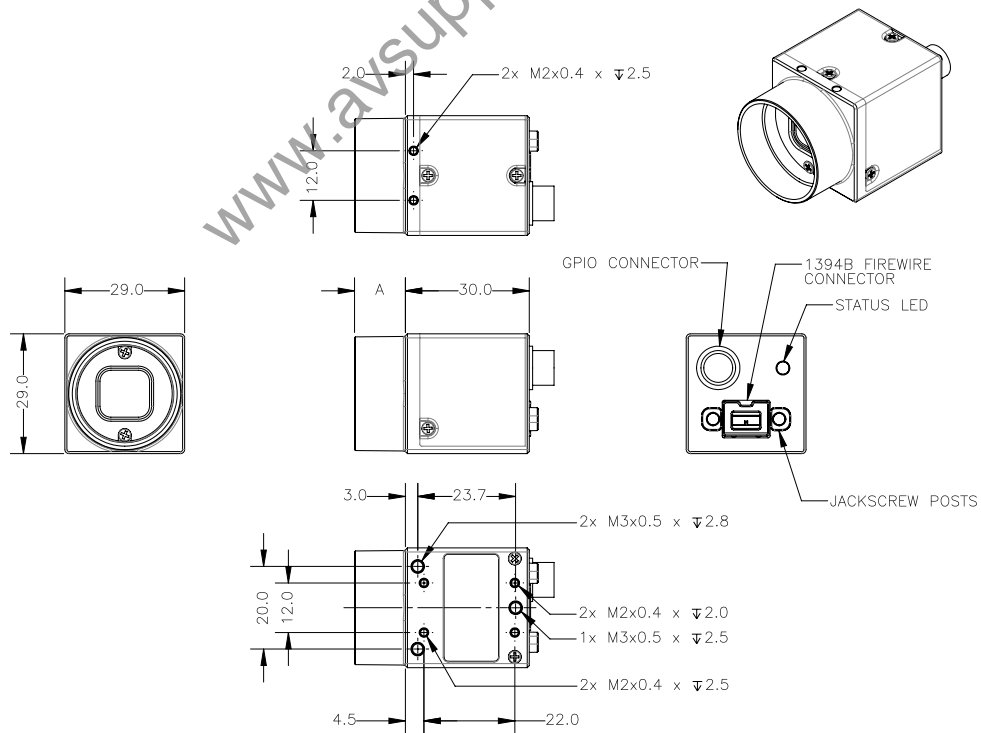


ULTRA-COMPACT + VERSATILE + 1394B

With resolutions ranging from 0.3MP (VGA) to 5.0MP and 12 different models to choose from, the compact, versatile Flea@2 camera system is a complete, cost effective and reliable IEEE-1394b solution for demanding imaging applications such as semiconductor inspection and high-speed assembly.

KEY FEATURES

- Smallest 1394b camera in the world
- Metal case with locking screw connection
- Ideal for industrial machine vision



Specifications

FL2-03S2C-C	Color	0.3 MP	<ul style="list-style-type: none"> ■ Sony ICX424 CCD, 1/3", 7.4 μm ■ Global Shutter ■ 648x488 at 80 FPS
FL2-03S2M-C	Mono		
FL2-08S2C-C	Color	0.8 MP	<ul style="list-style-type: none"> ■ Sony ICX204 CCD, 1/3", 4.65 μm ■ Global Shutter ■ 1032x776 at 30 FPS
FL2-08S2M-C	Mono		
FL2G-13S2C-C	Color	1.3 MP	<ul style="list-style-type: none"> ■ Sony ICX445 CCD, 1/3", 3.75 μm ■ Global Shutter ■ 1288x964 at 30 FPS
FL2G-13S2M-C	Mono		
FL2-14S3C-C	Color	1.4 MP	<ul style="list-style-type: none"> ■ Sony ICX267 CCD, 1/2", 4.65 μm ■ Global Shutter ■ 1384x1032 at 15 FPS
FL2-14S3M-C	Mono		
FL2-20S4C-C	Color	2.0 MP	<ul style="list-style-type: none"> ■ Sony ICX274 CCD, 1/1.8", 4.4 μm ■ Global Shutter ■ 1624x1224 at 15 FPS
FL2-20S4M-C	Mono		
FL2G-50S5C-C	Color	5.0 MP	<ul style="list-style-type: none"> ■ Sony ICX655 CCD, 2/3", 3.45 μm ■ Global Shutter ■ 2448x2048 at 7.5 FPS
FL2G-50S5M-C	Mono		
A/D Converter	12-bit		
Image Data Output	8, 12, 16 and 24-bit digital data		
Image Data Formats	Y8, Y16 (all models) RGB, YUV411, YUV422, YUV444, Raw8, Raw16 (color models)		
Partial Image Modes	Pixel binning and region of interest (ROI) modes		
Image Processing	Gamma, lookup table, hue, saturation, and sharpness		
Gain	Automatic/Manual/One-Push Gain modes 0 dB to 24 dB		
Gamma	0.50 to 4.00, programmable lookup table		
White Balance	Automatic/manual/one push modes, programmable via software		
Color Processing	On-camera in YUV or RGB format, or on-PC in Raw format		
Digital Interface	IEEE 1394b interface with screw locks for camera control, data, and power		
Transfer Rates	100, 200, 400, 800 Mbit/s		
GPIO	8-pin Hirose HR25 GPIO connector opto-isolated pins for trigger and strobe (FL2G only), bi-directional pins for trigger, strobe or serial port		
External Trigger Modes	I2C Trigger Modes 0, 1, 3, 4, and 5 (03S2 and 08S2), 14, and 15		
Synchronization	Via external trigger, software trigger (on same bus), or free running Global Shutter		
Shutter	Automatic/Manual/One-Push/Extended Shutter modes 0.02 ms to greater than 10 s (extended shutter mode)		
Image Buffer	32 MB Frame Buffer (FL2G only)		
Memory Channels	3 memory channels for custom camera settings		
Flash Memory	512 KB (FL2G only)		
Dimensions	29 mm x 29 mm x 30 mm excluding lens holder, without optics (metal case)		
Mass	58 grams (without optics)		
Power Consumption	8-30V, <2.5W, via GPIO or 1394b interface		
Camera Specification	I2C v1.31, compatible with IEEE-1394b and IEEE-1394a interfaces		
Camera Control	via FlyCapture SDK, CSRs, or third party software		
Camera Updates	In-field firmware updates		
Lens Mount	C-mount		
Temperature	Operating: 0° to 45°C; Storage: -30° to 60°C		
Emissions Compliance	CE, FCC, RoHS		
Operating System	Vista SP1, Windows 7		
Warranty	Three years		

FLIR Integrated Imaging Solutions

CANADA

12051 Riverside Way
Richmond, BC, Canada
V6W 1K7
T: +1 866.765.0827 (toll free)
T: +1 604.242.9937
F: +1 604.242.9938
E: mv-sales@flir.com
www.flir.com/iis

USA

T: +1 866.765.0827 (toll free)
E: mv-na-sales@ptgrey.com

EUROPE

T: +49 7141 488817-0
F: +49 7141 488817-99
E: mv-eusales@flir.com

CHINA

T: +86 10 8215 9938
F: +86 10 8215 9936
E: mv-chinasales@flir.com

ASIA

E: mv-asiasales@ptgrey.com

DISTRIBUTORS

JAPAN

ViewPLUS Inc. (www.viewplus.co.jp)

KOREA

CYLOD Co., Ltd. (www.cylod.com)

CHINA

LUSTER LightVision (www.lusterinc.com)

SINGAPORE, THAILAND, MALAYSIA

Voltrium Systems (www.voltrium.com.sg)

TAIWAN

Apo Star Co., Ltd. (www.apostar.com.tw)

UNITED KINGDOM AND IRELAND

ClearView Imaging (www.clearviewimaging.co.uk)

©2017 FLIR® Integrated Imaging Solutions Inc. All rights reserved. Names and marks appearing on the products herein are either registered trademarks or trademarks of FLIR® Systems, Inc. and/or its subsidiaries.