

## FLIR FLEA<sup>®</sup>3 1394b



### ULTRA-COMPACT + VERSATILE + COST EFFECTIVE

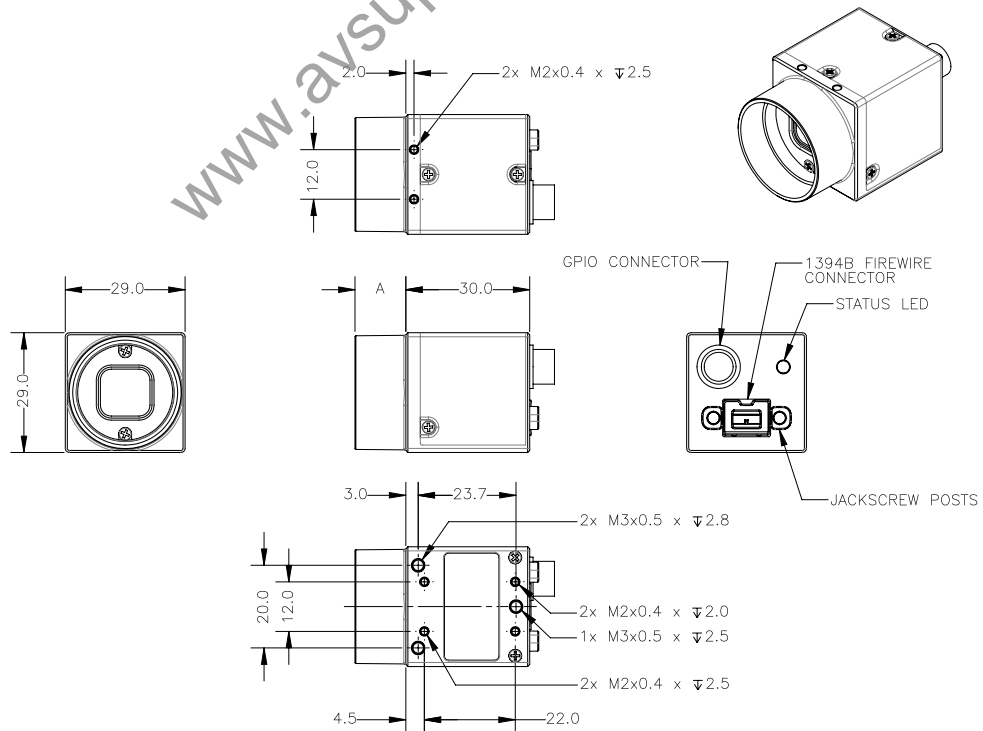
The fully redesigned, next generation Flea3 camera series builds on the success of the ultra-compact Flea2 by adding new Sony image sensors to the line-up. The Flea3 offers a host of new features, including enhanced opto-isolated GPIO; an on-camera frame buffer; non-volatile user data storage; new trigger modes; and improved imaging performance.

### KEY FEATURES

- FireWire 800 Mbit/s interface
- Ultra-compact 29 x 29 x 30 mm metal case, 58 grams
- Complies with IIDC 1.32



### FireWire



## Specifications

MODEL	VERSION	MP	IMAGING SENSOR
FL3-FW-03S1C-C	Color	0.3 MP	<ul style="list-style-type: none"> <li>■ Sony ICX618 CCD, 1/4", 5.6 μm</li> <li>■ Global Shutter</li> <li>■ 648x488 at 120 FPS</li> </ul>
FL3-FW-03S1M-C	Mono		
FL3-FW-03S3C-C	Color	0.3 MP	<ul style="list-style-type: none"> <li>■ Sony ICX414 CCD, 1/2", 9.9 μm</li> <li>■ Global Shutter</li> <li>■ 648x488 at 76 FPS</li> </ul>
FL3-FW-03S3M-C	Mono		
FL3-FW-14S3C-C	Color	1.4 MP	<ul style="list-style-type: none"> <li>■ Sony ICX267 CCD, 1/2", 4.65 μm</li> <li>■ Global Shutter</li> <li>■ 1384x1032 at 16 FPS</li> </ul>
FL3-FW-14S3M-C	Mono		
FL3-FW-20S4C-C	Color	2.0 MP	<ul style="list-style-type: none"> <li>■ Sony ICX274 CCD, 1/1.8", 4.4 μm</li> <li>■ Global Shutter</li> <li>■ 1624x1224 at 15 FPS</li> </ul>
FL3-FW-20S4M-C	Mono		
<b>A/D Converter</b>	12-bit		
<b>Image Data Output</b>	8, 12, 16 and 24-bit digital data		
<b>Image Data Formats</b>	Y8, Y16 (all models) RGB, YUV411, YUV422, Raw8, Raw16 (color models)		
<b>Partial Image Modes</b>	Pixel binning and region of interest (ROI) modes		
<b>Image Processing</b>	Gamma, lookup table, hue, saturation, and sharpness		
<b>Gain</b>	Automatic/Manual/One-Push Gain modes 0 dB to 24 dB		
<b>Gamma</b>	0.50 to 4.00, programmable lookup table		
<b>White Balance</b>	Automatic/manual modes, programmable via software		
<b>High Dynamic Range</b>	Cycle 4 gain and exposure presets		
<b>Color Processing</b>	On-camera in YUV or RGB format, or on-PC in Raw format		
<b>Digital Interface</b>	IEEE 1394b interface with screw locks for camera control, data, and power		
<b>Transfer Rates</b>	100, 200, 400, 800 Mbit/s		
<b>GPIO</b>	8-pin Hirose HR25 GPIO connector for power, trigger, strobe, PWM, and serial I/O, 1 opto-isolated input, 1 opto-isolated output, 2 bi-directional I/O pins		
<b>External Trigger Modes</b>	IIDC Trigger Modes 0, 1, 3, 4, 5, 14, 15		
<b>Synchronization</b>	Via external trigger or software trigger		
<b>Shutter</b>	Global Shutter Automatic/Manual/One-Push/Extended Shutter modes 0.03 ms to >25 seconds (extended shutter mode)		
<b>Image Buffer</b>	32 MB frame buffer		
<b>Memory Channels</b>	2 memory channels for custom camera settings		
<b>Flash Memory</b>	1 MB		
<b>Dimensions</b>	29x29x30 mm excluding lens holder and connectors (metal case)		
<b>Mass</b>	58 g (without optics or tripod mounting bracket)		
<b>Power Consumption</b>	8-30 V, <2.5 W, via GPIO or 1394b interface		
<b>Camera Specification</b>	IIDC v1.32		
<b>Camera Control</b>	via FlyCapture SDK, CSRs, or third party software		
<b>Camera Updates</b>	In-field firmware updates		
<b>Lens Mount</b>	C-mount		
<b>Temperature</b>	Operating: 0° to 45°C; Storage: -30° to 60°C		
<b>Emissions Compliance</b>	CE, FCC, RoHS		
<b>Operating System</b>	Vista SP1, Windows 7		
<b>Warranty</b>	Three years		

### FLIR Integrated Imaging Solutions

#### CANADA

12051 Riverside Way  
Richmond, BC, Canada  
V6W 1K7  
T: +1 866.765.0827 (toll free)  
T: +1 604.242.9937  
F: +1 604.242.9938  
E: mv-sales@flir.com  
www.flir.com/iis

#### EUROPE

T: +49 7141 488817-0  
F: +49 7141 488817-99  
E: mv-eusales@flir.com

#### CHINA

T: +86 10 8215 9938  
F: +86 10 8215 9936  
E: mv-chinasales@flir.com

For a full list of international distributors and offices visit [www.flir.com/contact-us](http://www.flir.com/contact-us)

#### USA

T: +1 866.765.0827 (toll free)  
E: mv-na-sales@ptgrey.com

#### ASIA

E: mv-asiasales@ptgrey.com

©2017 FLIR® Integrated Imaging Solutions Inc. All rights reserved. Names and marks appearing on the products herein are either registered trademarks or trademarks of FLIR® Systems, Inc. and/or its subsidiaries.