

c.LOGiC lite-Interface

C1-MFD2

Compatible with navigation systems
Volkswagen MFD2/RNS2
Skoda Nexus

Only for vehicles WITHOUT factory rear-view camera

Product features

- full plug and play multimedia interface
- 1 AV-input with separate IR-control channel
- control of after-market devices, e.g. DVB-T tuner, DVD-player, DVD-changer, ...
- after-market rear-view camera input
- automatic switching to rear-view camera input
- rear-view camera power (+12V max 1A)
- power on remote out trigger signal (+12V max. 1A) to switch on connected devices

Contents

1. Prior to Installation

- 1.1. Delivery contents
- 1.2. Check compatibility of vehicle and accessories

2. Connection schema

3. Installation

- 3.1. Interconnecting Interface-box and harness
- 3.2. Connections to head-unit
- 3.3. Connecting peripheral devices
 - 3.3.1. AV-source
 - 3.3.2. Installing AV-source's IR-sensor additionally
 - 3.3.3. After-market rear-view camera

4. Operation

- 4.1. Selecting the c.LOGiC as current AV-source
- 4.2. Assigning device controls
- 4.3. Button assignment table
- 4.4. Picture settings

5. Specifications

6. Technical support

Appendix A – Device control table

Legal Information

By law, watching moving pictures while driving is prohibited, the driver must not be distracted. We do not accept any liability for material damage or personal injury resulting, directly or indirectly, from installation or operation of this product. This product should only be used while standing or to display fixed menus or rear-view-camera video when the vehicle is moving, for example the MP3 menu for DVD upgrades.

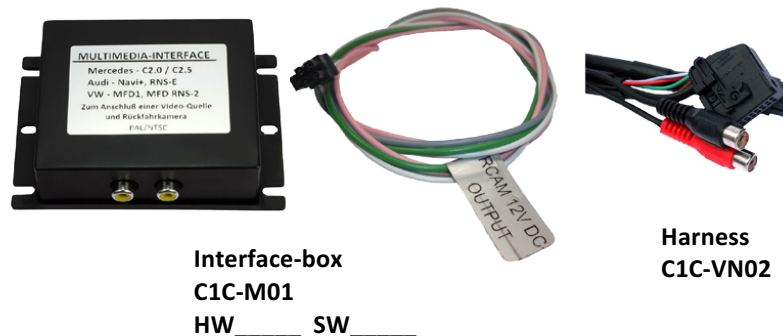
Changes/updates of the vehicle's software can cause malfunctions of the interface. We offer free software-updates for our interfaces for one year after purchase. To receive a free update, the interface must be sent in at own cost. Labor cost for and other expenses involved with the software-updates will not be refunded.

1. Prior to installation

Read the manual prior to installation. Technical knowledge is necessary for installation. The place of installation must be free of moisture and away from heat sources.

1.1. Delivery contents

Take down the SW-version and HW-version of the interface boxes, and store this manual for support purposes.



If remote function for the connected devices shall be used, additional an IR-remote cable and Y-adaptor are needed, see chapter [AV-source](#) .

1.2. Check compatibility of vehicle and accessories

Requirements

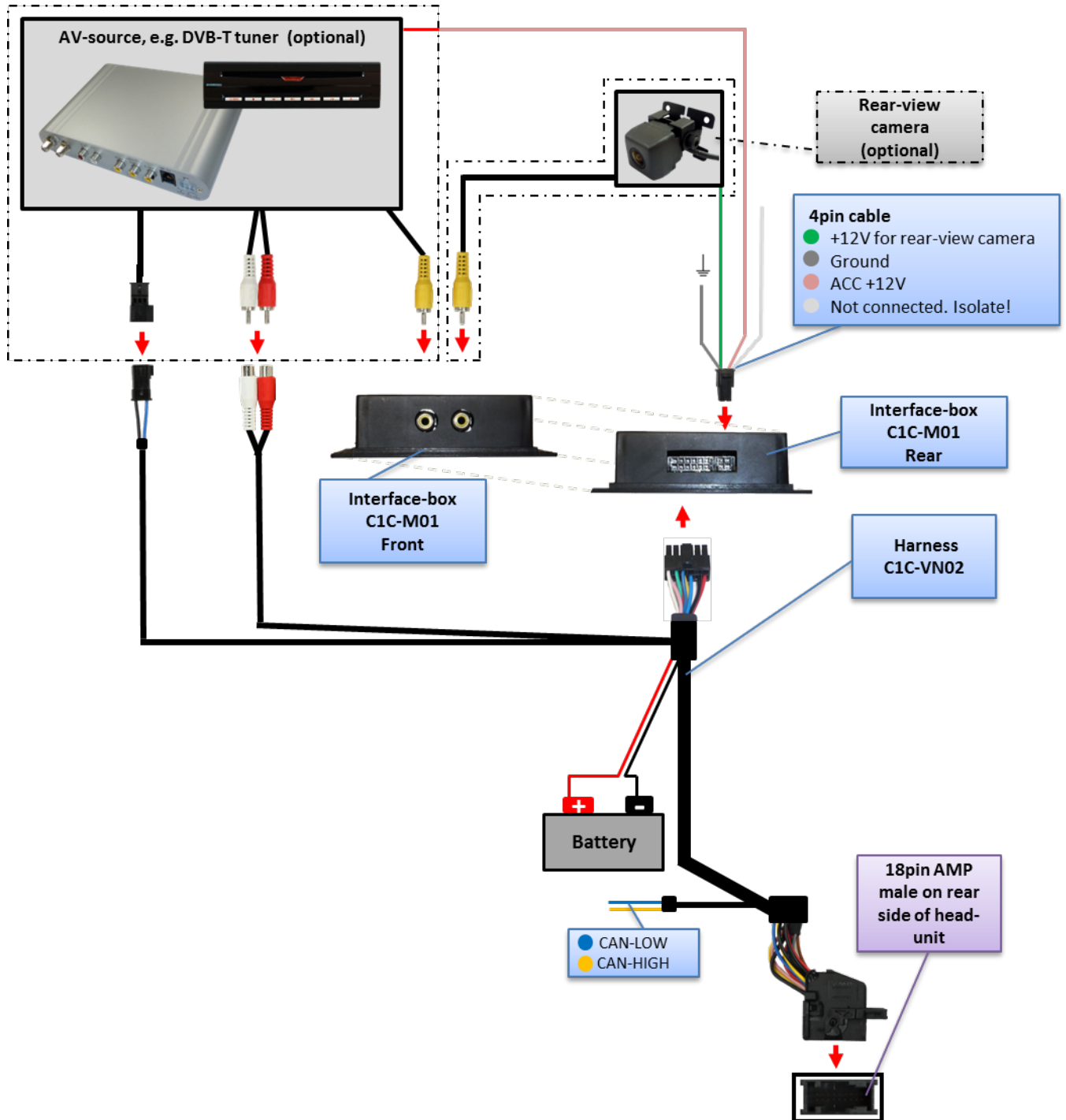
Vehicle Volkswagen and Skoda

Navigation MFD2/RNS2 or Nexus navigation

Limitations

Factory-TV-tuner Must NOT be installed.

2. Connection schema

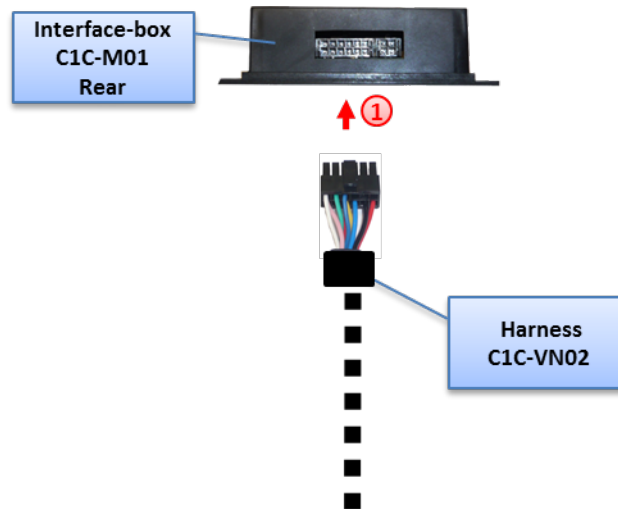


3. Installation

Switch off ignition and disconnect the vehicle's battery! If according to factory rules disconnecting the battery has to be avoided, it is usually sufficient to put the vehicle in sleep-mode. In case the sleep-mode does not show success, disconnect the battery with a resistor lead.

Place of installation is behind the head-unit.

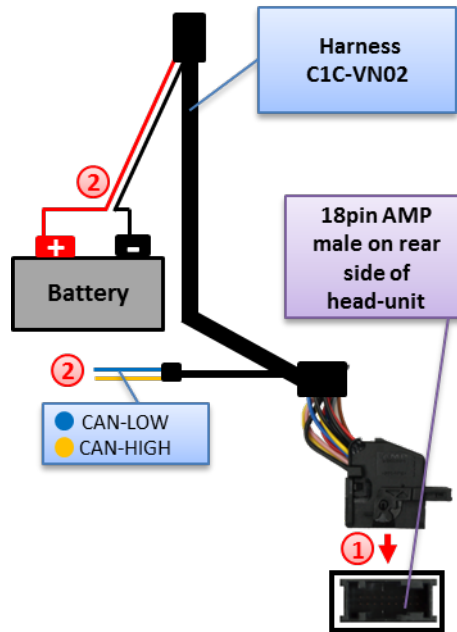
3.1. Interconnecting Interface-box and harness



- ① Plug harness C1C-VN02 into 12pin Molex of Interface-Box C1C-M01.

3.2. Connections to head-unit

Remove the head-unit from the dash-board.

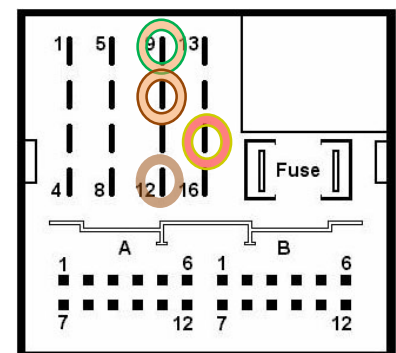


- ① Plug female 18pin AMP-connector of C1C-VN02 into male 18pin AMP-socket of head-unit.

Note: If the 18pin AMP-socket of the head-unit is already occupied, the vehicle probably has a factory rear-view camera or a factory TV-tuner. In case of a factory tuner, it must be uninstalled: disconnect the female 18pin AMP-connector of the factory harness and disconnect all wires from the factory TV-tuner. In case of a factory rear-view camera you have ordered/received the wrong product, call for support.

- ② Connect the loose red cable to +12V battery, the loose black cable to ground, the loose yellow cable to CAN-HIGH and the loose blue cable to CAN-LOW of the vehicle.

Cable colour	Assignment
● Red/Yellow	+12V Permanent Pin 15
● Brown	Ground Pin 12
● Orange/Green	CAN HIGH Pin 9
● Orange/Brau	CAN LOW Pin 10



Quadlock male of vehicle

No liability for vehicle wire colors and pin definition! Possible changes by the vehicle manufacturer. The given information must be verified by the installer.

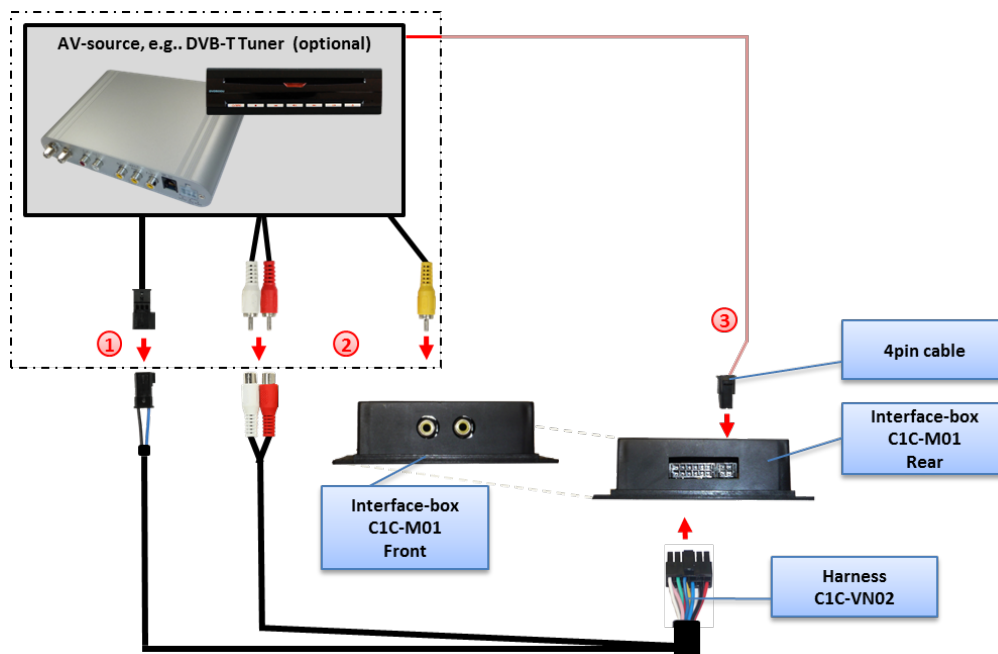
3.3. Connecting peripheral devices

It is possible to connect one after-market AV-source and an after-market rear-view camera to the c.LOGiC Interface.

Before final installation of the peripheral devices, we recommend to test-run the c.LOGiC functions to detect incompatibility of vehicle, navigation, factory accessories or peripheral devices as soon as possible.

3.3.1. AV-source

The c.LOGiC interface has the possibility to connect and remotely control by navigation buttons one pre-programmed device. The device list in the device control table (Appendix A) shows the pre-programmed remote channels and the related IR-remote cables STA-xxx which must be ordered separately for the control of the device.

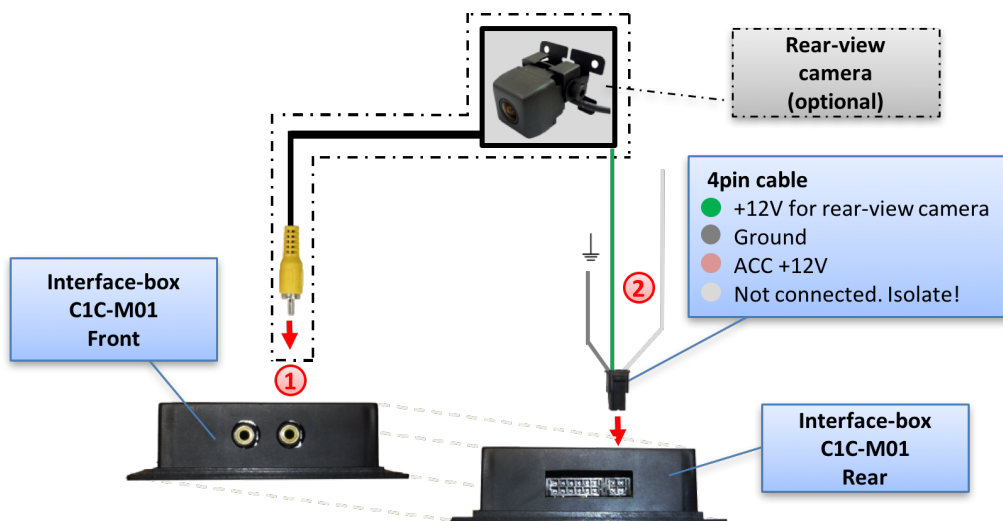


- ① Using the respective STA-xxx IR-control cable, interconnect the blue female 3pin AMP connector of harness C1C-VN02 and the IR-port of the AV-source.
- ② Using an RCA-cable, interconnect the female RCA-port Video In of the Interface-box C1C-M01 with the AV-output of the AV-source.
- ③ The pink ACC-output wire (+12V max 1A) of the 4pin cable can be connected to the ACC-input wires of the connected device to switch it on. It carries +12V when the head-unit is running.

3.3.2. Installing AV-source's IR-sensor additionally

Additionally to the control via OEM navigation, it is possible to install the original IR-sensor of a connected device. By using the respective Y-adapter (e.g. STA-Y35MM or STA-RJ12) for the IR-Port of the connected device, the controls of navigation AND device's IR-sensor can be connected and used simultaneously. Installation of the IR-sensor is recommended as the controls via navigation are limited, and not all functions may be covered.

3.3.3. After-market rear-view camera



- ① Connect the video RCA of the after-market rear-view camera to female RCA connector R-CAM IN of Interface-box C1C-M01.
- ② Connect the green wire of the 4pin cable to the camera power supply (+12V max. 1A) of the after-market rear-view camera and the grey wire to ground of the vehicle. The green wire is high (+12V max. 1A) when reverse gear is engaged. The white wire is not connected and has to be isolated. In some cases it is possible that the automatic switching does not work. In this case connect the white wire to the reverse gear light (+12V).

4. Operation

4.1. Selecting the c.LOGiC as current AV-source

CD-Version - Push **AUX** button of head-unit , then select **TV** to choose the c.LOGiC as current AV-source.

DVD-Version - Push **CD** button of head-unit, then select **AUX** to choose the c.LOGiC as current AV-source.



4.2. Assigning device controls

After selecting the c.LOGiC as current AV source, longpress number “1” key. The MFD will display “TV 1” and “RC01”. Turn right knob until the device-related IR-code for the AV-source as described in device control table (appendix A) is reached. Push right knob to confirm the assignment.



If the vehicle has no MFD display in the instrument panel (for example in case of retrofitted navigation systems), you must count the notches when turning the knob (to the right +1, to the left -1). At the same time, remember that the starting point is channel RC01 (the first notch to the right is then already RC02).

4.3. Button assignment table

The button assignment table shows which functions of the connected device can be executed by head-unit buttons. Once the AV-input is activated, the head-unit button in the left column will execute the function described in the corresponding device column. The function description equals the remote control buttons of the optional c.LOGiC remote control or the additional device. On the additional device the writing may vary (e.g. AV instead of Source).



Button assignment table c.LOGiC MFD2/RNS2/Nexus						
Head-unit button	DVB-T	USB-LiNK	DVD-player	DVD-changer	iPod®-control	Analog-tuner
1	OK	POWER	PLAY	PLAY	PLAY/PAUSE	SCAN
2	AV	MEDIA	AV	AV	EJECT	MODE
3	EPG	VOL+	PBC	PBC	SHUFFLE	FM
4	INFO	VOL-	TITLE	TITLE	REPEAT	DISPLAY
5	SCAN	ZOOM	ZOOM	DISC		SCAN
6	MENU	SETUP	SETUP	SETUP	LIGHT	ADJUST
6 long	POWER	POWER	POWER	POWER	POWER	POWER
7	DISPLAY	MEDIA	DISPLAY	DISPLAY		DISPLAY
8	AUDIO	AUDIO	AUDIO	AUDIO		AUDIO
9	→	→	→	→	→	CH +
10	←	←	←	←	←	CH -
12	↓	↓	↓	↓	↓	VOL -
13	↑	↑	↑	↑	↑	VOL +
14	OK	OK / PLAY	OK	OK	ENTER	MODE
11	EXIT	EXIT	STOP	STOP	PLAY	MUTE
15	CH -	TRACK -	TRACK -	TRACK -	TRACK -	CH -
16	CH +	TRACK +	TRACK +	TRACK +	TRACK +	CH +

Additionally to the head-unit buttons, the steering-wheel buttons UP and DOWN can be used for remote functions. DOWN-button has the same function as **15** on the head-unit and UP-button has the same function as **16** on the head-unit.

4.4. Picture settings

By pressing the button **17**, it is possible to switch between 4:3 and 16:9 picture format. To enter the picture settings menu longpress button **11**.

The picture settings menu always starts with the brightness settings. The respective current picture value is displayed on the instrument panel.


Press the right knob to change from brightness to colour and contrast (after contrast, the interface starts again with brightness).

Turn the right knob to change the current picture value. To quit the settings menu press "ESC"-button.



5. Specifications

Operation voltage	10.5 – 14.8V DC
Stand-by power drain	<1mA
Operation power drain	240mA
Power consumption	3W
Temperature range	-30°C to +80°C
Weight	95g
Measurements (box only) B x H x T	106 x 30 x 71 mm

CE  12V DC

6. Technical Support

Caraudio-Systems Vertriebs GmbH
manufacturer/distribution
In den Fuchslöchern 3
D-67240 Bobenheim-Roxheim

email support@caraudio-systems.de

Legal disclaimer: Mentioned company and trademarks, as well as product names/codes are registered trademarks ® of their corresponding legal owners.